

Distributed by:

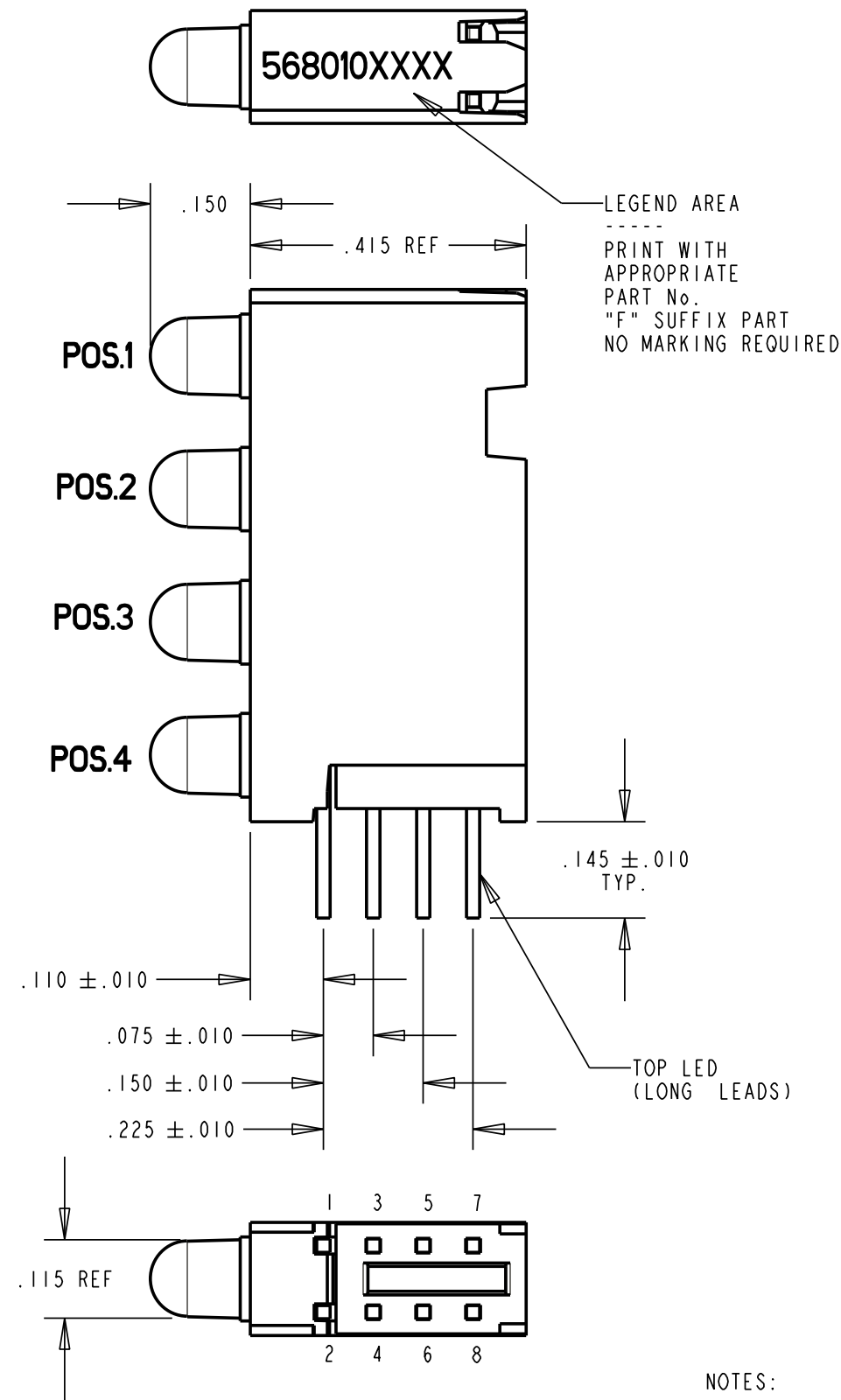
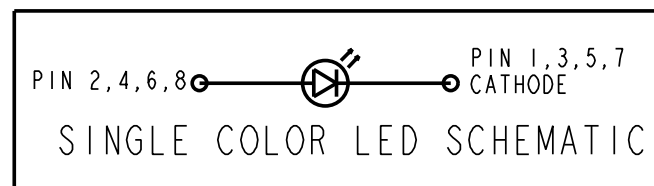
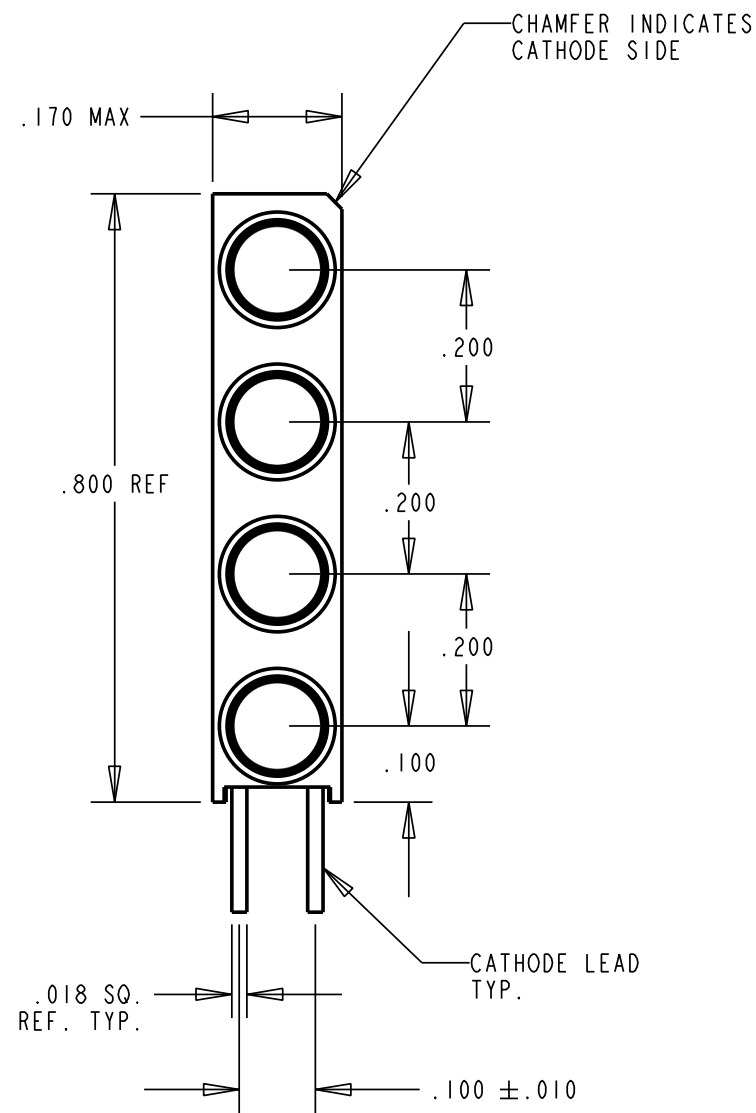
JAMECO[®]
ELECTRONICS

www.Jameco.com ♦ 1-800-831-4242

The content and copyrights of the attached
material are the property of its owner.

Jameco Part Number 1717441 Ver.B

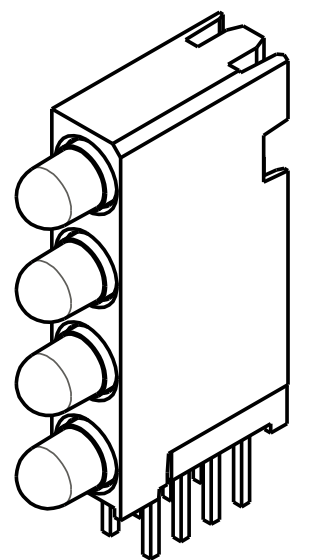
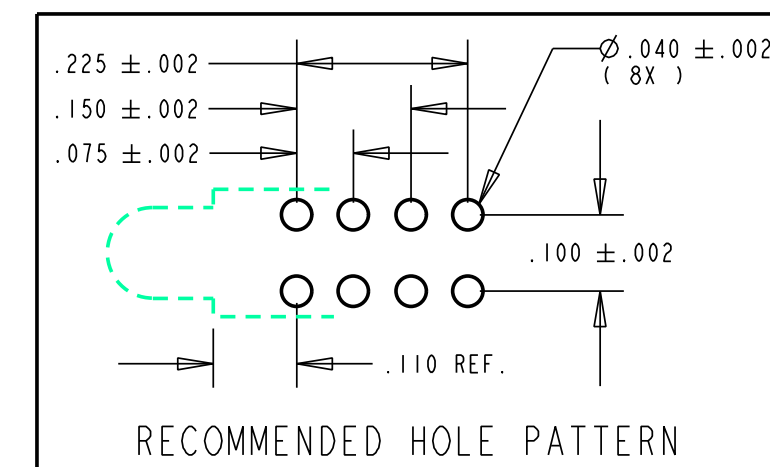
| PART NUMBER and LEGEND | LED COLOR | | | |
|---------------------------|-------------|-------------|-------------|-------------|
| | POS 1 | POS 2 | POS 3 | POS 4 |
| 568-0100-021 | ** BLANK ** | ** BLANK ** | GREEN | RED |
| 568-0100-022 | ** BLANK ** | ** BLANK ** | GREEN | GREEN |
| 568-0100-132 | ** BLANK ** | RED | YELLOW | GREEN |
| 568-0101-010 | * RED * | ** BLANK ** | RED | ** BLANK ** |
| 568-0101-023 | * RED * | ** BLANK ** | GREEN | YELLOW |
| 568-0101-000 | * RED * | ** BLANK ** | ** BLANK ** | ** BLANK ** |
| 568-0101-110 | * RED * | RED | RED | ** BLANK ** |
| 568-0101-011 | * RED * | ** BLANK ** | RED | RED |
| 568-0101-111 | * RED * | RED | RED | RED |
| 568-0101-112 | * RED * | RED | RED | GREEN |
| 568-0101-122 | * RED * | RED | GREEN | GREEN |
| 568-0101-212 | * RED * | GREEN | RED | GREEN |
| 568-0101-222 | * RED * | GREEN | GREEN | GREEN |
| 568-0101-232 | * RED * | GREEN | YELLOW | GREEN |
| 568-0101-233 | * RED * | GREEN | YELLOW | YELLOW |
| 568-0101-237 | * RED * | GREEN | YELLOW | ORANGE |
| 568-0101-312 | * RED * | YELLOW | RED | GREEN |
| 568-0101-321 | * RED * | YELLOW | GREEN | RED |
| 568-0101-322 | * RED * | YELLOW | GREEN | GREEN |
| 568-0101-323 | * RED * | YELLOW | GREEN | YELLOW |
| 568-0101-332 | * RED * | YELLOW | YELLOW | GREEN |
| 568-0101-333 | * RED * | YELLOW | YELLOW | YELLOW |
| 568-0101-723 | * RED * | ORANGE | GREEN | YELLOW |
| 568-0102-000 | * GREEN * | ** BLANK ** | ** BLANK ** | ** BLANK ** |
| 568-0102-010 | * GREEN * | ** BLANK ** | RED | ** BLANK ** |
| 568-0102-020 | * GREEN * | ** BLANK ** | GREEN | ** BLANK ** |
| 568-0102-102 | * GREEN * | RED | ** BLANK ** | GREEN |
| 568-0102-111 | * GREEN * | RED | RED | RED |
| 568-0102-113F | * GREEN * | RED | RED | YELLOW |
| 568-0102-120 | * GREEN * | RED | GREEN | ** BLANK ** |
| 568-0102-121 | * GREEN * | RED | GREEN | RED |
| 568-0102-122 | * GREEN * | RED | GREEN | GREEN |
| 568-0102-123 | * GREEN * | RED | GREEN | YELLOW |
| 568-0102-133 | * GREEN * | RED | YELLOW | YELLOW |
| 568-0102-173 | * GREEN * | RED | ORANGE | YELLOW |
| 568-0102-173 | * GREEN * | RED | ORANGE | ORANGE |
| 568-0102-200 | * GREEN * | GREEN | ** BLANK ** | ** BLANK ** |
| 568-0102-201 | * GREEN * | GREEN | ** BLANK ** | RED |
| 568-0102-211 | * GREEN * | GREEN | RED | RED |
| 568-0102-212 | * GREEN * | GREEN | RED | GREEN |
| 568-0102-213 | * GREEN * | GREEN | RED | YELLOW |
| 568-0102-220 | * GREEN * | GREEN | GREEN | ** BLANK ** |
| 568-0102-221 | * GREEN * | GREEN | GREEN | RED |
| 568-0102-222 | * GREEN * | GREEN | GREEN | GREEN |
| 568-0102-223 | * GREEN * | GREEN | GREEN | YELLOW |
| 568-0102-227 | * GREEN * | GREEN | GREEN | ORANGE |
| 568-0102-231 | * GREEN * | GREEN | YELLOW | RED |
| 568-0102-232 | * GREEN * | GREEN | YELLOW | GREEN |
| 568-0102-233 | * GREEN * | GREEN | YELLOW | YELLOW |
| 568-0102-311 | * GREEN * | YELLOW | RED | RED |
| 568-0102-312 | * GREEN * | YELLOW | RED | GREEN |
| 568-0102-321 | * GREEN * | YELLOW | GREEN | RED |
| 568-0102-323 | * GREEN * | YELLOW | GREEN | YELLOW |
| 568-0102-331 | * GREEN * | YELLOW | YELLOW | RED |
| 568-0102-332 | * GREEN * | YELLOW | YELLOW | GREEN |
| 568-0102-333 | * GREEN * | YELLOW | YELLOW | YELLOW |
| 568-0102-727 | * GREEN * | ORANGE | GREEN | ORANGE |
| 568-0103-000 | * YELLOW * | ** BLANK ** | ** BLANK ** | ** BLANK ** |
| 568-0103-003 | * YELLOW * | ** BLANK ** | ** BLANK ** | YELLOW |
| 568-0103-022 | * YELLOW * | ** BLANK ** | GREEN | GREEN |
| 568-0103-030 | * YELLOW * | ** BLANK ** | YELLOW | ** BLANK ** |
| 568-0103-031 | * YELLOW * | ** BLANK ** | YELLOW | RED |
| 568-0103-111 | * YELLOW * | RED | RED | RED |
| 568-0103-120 | * YELLOW * | RED | GREEN | ** BLANK ** |
| 568-0103-131 | * YELLOW * | RED | YELLOW | RED |
| 568-0103-200 | * YELLOW * | GREEN | ** BLANK ** | ** BLANK ** |
| 568-0103-210 | * YELLOW * | GREEN | RED | ** BLANK ** |
| 568-0103-220 | * YELLOW * | GREEN | GREEN | ** BLANK ** |
| 568-0103-222 | * YELLOW * | GREEN | GREEN | GREEN |
| 568-0103-232 | * YELLOW * | GREEN | YELLOW | GREEN |
| 568-0103-312 | * YELLOW * | YELLOW | RED | GREEN |
| 568-0103-330 | * YELLOW * | YELLOW | YELLOW | ** BLANK ** |
| 568-0103-333 | * YELLOW * | YELLOW | YELLOW | YELLOW |



| REV. | ECN NO. | REVISIONS | DRN. | CKD. | APP. | DATE |
|------|---------|---|------|------|------|----------|
| A | | NEW RELEASE | DC | | N.O. | 1-7-99 |
| B | | REMOVED P/N 568-0107-777; ADDED P/N's 568-0101-723, 568-0102-201, AND 568-0102-311; REVISED GREEN & YELLOW LED SPECS. | TC | DC | N.O. | 6-28-99 |
| C | | ADDED P/N's 568-0101-000, 568-0102-000 AND 568-0103-000; ADDED NOTE 5 AND LED SCHEMATIC. | TC | DC | N.O. | 9-8-99 |
| D | | ADD -0101-312, -0103-120 AND -0102-333 | AV | DC | N.O. | 11-2-99 |
| E | | ADDED P/N 568-0102-133 | TC | DC | N.O. | 2-3-00 |
| F | | ADD -0101-110 AND -0102-232 | AV | DC | N.O. | 3-7-00 |
| G | | ADD -0101-110 AND -0102-232 | TC | DC | N.O. | 4-17-00 |
| H | | ADDED P/N 568-0102-220, -227 | TC | AV | NO | 9-26-00 |
| J | | ADD 568-0101-112 / 0102-102 ADD 568-0102-220 / 0103-220 | AV | JMC | NO | 1-12-01 |
| K | | ADDED P/N 568-0102-213 | DC | KD | NO | 2-20-01 |
| L | | ADDED P/N 568-0101-232 | TC | DC | AV | 4-10-01 |
| M | | ADDED P/N 568-0101-122 | DC | JMC | NO | 8-19-02 |
| N | | ADDED P/N'S 568-0102-173 & 568-0103-111 | JAV | JMC | NO | 8-8-03 |
| P | | ADDED P/N 568-0102-123 | JAV | YIS | N.O. | 10-17-03 |
| Q | | ADDED P/N 568-0102-120, 568-0102-177, 568-0103-003, 568-0103-022, 568-0103-330 | JMC | N.O. | MES | 9-17-04 |
| R | | ADDED 568-0102-113F & NOTE 6; ADDED 568-0103-210 | JMC | | | |

NOTES:

- LEADS TO FIT INTO HOLES SPACED AS PER HOLE PATTERN.
- WHEN A ZERO APPEARS IN THE LAST 4 DIGITS OF THE PART NUMBER THIS MEANS NO LAMP REQUIRED IN THAT POSITION
- LED LEAD DIMENSIONS SHOWN ARE MEASURED AT HOUSING EXIT.
- PIN NUMBERS FOR REFERENCE ONLY, DESIGNATION NON-EXISTENT ON PARTS.
- DIALIGHT PART NUMBER = 568-010X-XXX (SEE CHART FOR ALL PART NUMBERS)
- PART WITH "F" SUFFIX IS RoHS COMPLIANT.



SCALE 3.000

| OPERATING CHARACTERISTICS AT 25°C AMBIENT | | | | | | |
|---|--------|-----|------|-----|--------|------------------------|
| CHARACTERISTICS | | MIN | TYP | MAX | UNITS | TEST CONDITIONS |
| LUMINOUS INTENSITY | RED | 7.4 | 10.0 | | mcd | I _f = 10 mA |
| | YELLOW | 7.4 | 10.0 | | | |
| | GREEN | 4.7 | 12.6 | | | |
| | ORANGE | 3.4 | 7.0 | | | |
| FORWARD VOLTAGE | RED | | 2.0 | 2.8 | V | I _f = 20 mA |
| | YELLOW | | 2.1 | 2.8 | | |
| | GREEN | | 2.1 | 2.8 | V | |
| | ORANGE | | 1.5 | 2.2 | | |
| REVERSE CURRENT | ALL | | | 100 | µA | V _r = 5 V |
| PEAK WAVELENGTH | RED | | 635 | | nm | |
| | YELLOW | | 585 | | | |
| | GREEN | | 565 | | | |
| | ORANGE | | 600 | | | |
| VIEWING ANGLE | ALL | | 60 | | Degree | |

| ABSOLUTE MAXIMUM RATING AT 25°C AMBIENT | | | | | |
|--|-------------|------|-----|-----|-------|
| POWER DISSIPATION | 100 | 60 | 100 | 135 | mW |
| DERATE LINEARLY FROM 50°C | 0.4 | 0.25 | 0.4 | 0.5 | mA/°C |
| CONTINUOUS FORWARD CURRENT | 30 | 20 | 30 | 25 | mA |
| PEAK FORWARD CURRENT (1/10 DUTY CYCLE, 0.1 ms PULSE WIDTH) | 120 | 80 | 120 | 90 | mA |
| LEAD SOLDERING TEMPERATURE, 5 SEC., 1/16" FROM BODY | 260 | | | | °C |
| OPERATING TEMPERATURE | -55 TO +100 | | | | °C |
| STORAGE TEMPERATURE | -55 TO +100 | | | | °C |

| | | |
|---|------------------------------|-----|
| THIS DRAWING AND THE CONTENTS HEREIN ARE CONFIDENTIAL AND THE SOLE PROPERTY OF DIALIGHT. REPRODUCTION OF THIS DRAWING OR CONSTRUCTION OF ANY PARTS WITHIN THIS DRAWING ARE FORBIDDEN WITHOUT THE WRITTEN CONSENT OF DIALIGHT. | | |
| SCALE: 4.000 | DRAWING NUMBER | REV |
| ALL DIM'S IN: INCHES (MM) | C-16454 | R |
| TOLERANCES: UNLESS OTHERWISE SPECIFIED | TITLE STANDARD 4X1 CBI BLOCK | |
| FRACTIONS: ±1/64 | MATERIAL | |
| DECIMALS (.XX): ±.02 | Dialight | |
| DECIMALS (.XXX): ±.015 | 1501 ROUTE 34 SOUTH | |
| DECIMALS (.XXXX): ±.0005 | FARMINGDALE, NJ 07727 | |
| ANGLES: ±3° | FSCM 83330 | |
| FINISH: | SHEET 1 OF 1 FAMILY TABLES: | |