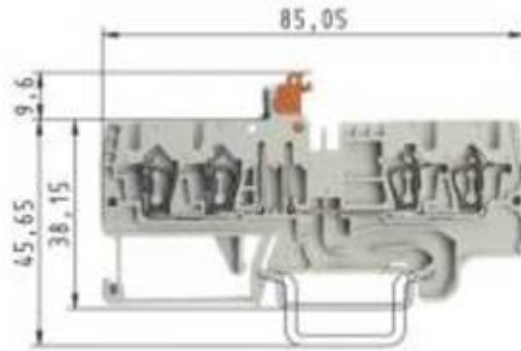


Datasheet

Item No. 56.703.5555.0

Knife disconnect terminal WKFN 2,5 TKM 2/2/35

Knife disconnect terminal block with spring clamp connection for mounting on TS 35, nominal cross section 2.5 mm², width 5 mm, color gray



Item No.	56.703.5555.0
EAN	4015573834675
order unit	100 Piece(s)

Approvals



Technical data

General

Nominal cross section	2.5 mm ²
Colour	Grey
Number of levels	1
Number of clamp positions per level	4
Width/grid dimension	5 mm
Insulating housing	PA666
Inflammability class of insulation material acc. with UL94	V0
Mounting method	DIN rail (top hat rail) 35/7.5 mm
Terminal blocks for electrical installations	Yes

Technical data

Rated current	20 A
Rated voltage	630 V
Rated impulse voltage	6 kV
Pollution degree	3
Closing plate required	Yes
Length	85 mm
Type of insulation material	Thermoplastic

Connection Data

Connection type 1	Tension clamp connection
Connection type 2	Tension clamp connection
Minimum cross section solid	0.14 mm ²

Maximum cross section solid	4 mm ²
Minimum cross section fine stranded	0.2 mm ²
Maximum cross section fine stranded	2.5 mm ²
Wire strip length	11 mm

Technical Data UL/CSA

Cross section UL	24-12 AWG
Voltage UL	300
Current factory wiring	19 A
Current field wiring	19 A
Cross section CSA	24-12 AWG
Voltage CSA	300 V
Current CSA	20 A

Accessories

Integrated test socket	No
------------------------	----

Accessories

Item. No.	Typ:	Description:
04.343.8353.8	Warning cover ADF.../4 YELLOW	Cover with warning symbol for DIN rail terminal blocks type WKF ...
98.300.0000.0	Mounting rail 35x27x7,5EN60715 2000MM	Mounting rail TS 35, unslotted, size 7,5 mm, length 2 m, material steel. galv. zinc-plated and dichromated
98.300.1000.0	Mounting rail 35x27x7,5EN60715 2000MM	Mounting rail TS 35, slotted, size 7,5 mm, length 2 m, material steel. galv. zinc-plated and dichromated
98.300.1900.0	Mounting rail 35x27x7,5EN60715 2000MM	Mounting rail TS 35, slotted, size 7,5 mm, length 2 m, material steel. galv. zinc-plated and dichromated
98.360.0000.0	Mounting rail 35x24x15 EN60715 2000MM	Mounting rail TS 35, unslotted, size 15 mm, length 2 m, material steel. galv. zinc-plated and dichromated
98.360.0004.0	Mounting rail 35x24x15 EN60715 2000MM	Mounting rail TS 35, unslotted, size 15 mm, length 2 m, material steel, hot galvanized
98.370.0000.0	Mounting rail 35x27x15(EN60715)2000MM	Mounting rail TS 35, unslotted, size 15 mm, length 2 m, material steel. galv. zinc-plated and dichromated
98.370.1000.0	Mounting rail 35x27x15(EN60715)2000MM	Mounting rail TS 35, slotted, size 15 mm, length 2 m, material steel. galv. zinc-plated and dichromated
98.380.0000.0	Mounting rail 35x24x15 EN60715 2000MM	Mounting rail TS 35, unslotted, size 15 mm, length 2 m, material E copper
Z1.299.9753.0	Test plug PS WKC/F OB	Modular test plug for DIN rail terminal blocks type WKF and WKC
Z5.553.2921.0	Test plug ST 2 / 2.3 RED	Test plug 2,3 mm color red
Z7.280.6227.0	Jumper bar IVBWK 2,5 - 2	Cross connector, insulated for DIN rail terminal blocks type WKF..., 2 -pole
Z7.280.6327.0	Jumper bar IVBWK 2,5 - 3	Cross connector, insulated for DIN rail terminal blocks type WKF..., 3 -pole
Z7.280.6427.0	Jumper bar IVBWK 2,5 - 4	Cross connector, insulated for DIN rail terminal blocks type WKF..., 4 -pole
Z7.280.6527.0	Jumper bar IVBWK 2,5 - 5	Cross connector, insulated for DIN rail terminal blocks type WKF..., 5 -pole
Z7.280.6627.0	Jumper bar IVBWK 2,5 - 6	Cross connector, insulated for DIN rail terminal blocks type WKF..., 6 -pole
Z7.280.6727.0	Jumper bar IVBWK 2,5 - 7	Cross connector, insulated for DIN rail terminal blocks type WKF..., 7 -pole
Z7.280.6827.0	Jumper bar IVBWK 2,5 - 8	Cross connector, insulated for DIN rail terminal blocks type WKF..., 8 -pole
Z7.280.6927.0	Jumper bar IVBWK 2,5 - 9	Cross connector, insulated for DIN rail terminal blocks type WKF..., 9 -pole
Z7.280.7027.0	Jumper bar IVBWK 2,5 - 10	Cross connector, insulated for DIN rail terminal blocks type WKF..., 10 -pole



Drawings

Hutschiene EN 60715-35x7,5
mounting rail EN 60715-35x7,5

Hutschiene EN 60715-35x15
mounting rail EN 60715-35x15

Weitere Daten siehe Katalog
further data see catalog

*=spezielle Verpackung/special package

Teile-Nr. part-no.	Farbe colour
56.703.5555.0	grau/grey
* 56.703.5594.0	grau/grey

Fertiger nach DIN 7162/Tolerance system etc. to DIN 7162. This DIN standard describes the envelope principle. According to the envelope principle the deviations of form and parallelism are limited by the size tolerances.		10/96 10 Stahlzweibein mit Drahtsprüngele nach IEC 60945/3 Teil 1/2 Conformity with Wieland document 09-100-05/03 (list of prohibited / favorable hazardous substances) to be decided!	
Fraßkorrosionsschutz General tolerance	100 - Zeichnung, keine Ausnahme 100 - drawing, no manual modifications allowed	Verändungs- / First Use:	Zeichnung Nr./Drawing No. 56.703.5555.0 01K
Werkstoff/Material 2006 12.12.12 2006 12.12.12	Lager/Date Name 2006 12.12.12 2006 12.12.12	Erste für/Replacement for: -	
Index Änderung/Revision		Type WKFN 2,5 TOM 2/2/35	Benennung/Titel MESSERTRENNKLEMME Federkraftanschluß 2,5mm ² knife disconnect terminal, spring clamp connection

M 1:1