

**ebm-papst St. Georgen GmbH & Co. KG**

Hermann-Papst-Str. 1

D-78112 St. Georgen

Phone +49 (0) 7724 81-0

Fax +49 (0) 7724 81-1309

info2@de.ebmpapst.com

www.ebmpapst.com

**Nominal data**

| Type                     | 5606 S            |      |
|--------------------------|-------------------|------|
| Phase                    |                   | 1~   |
| Nominal voltage          | VAC               | 115  |
| Frequency                | Hz                | 60   |
| Speed                    | min <sup>-1</sup> | 3100 |
| Power input              | W                 | 26.0 |
| Min. ambient temperature | °C                | -35  |
| Max. ambient temperature | °C                | 80   |
| Air flow                 | m <sup>3</sup> /h | 270  |
| Sound power level        | B                 | 6.2  |
| Sound pressure level     | dB(A)             | 50   |

ml = Max. load · me = Max. efficiency · fa = Running at free air · cs = Customer specs · cu = Customer unit  
Subject to alterations

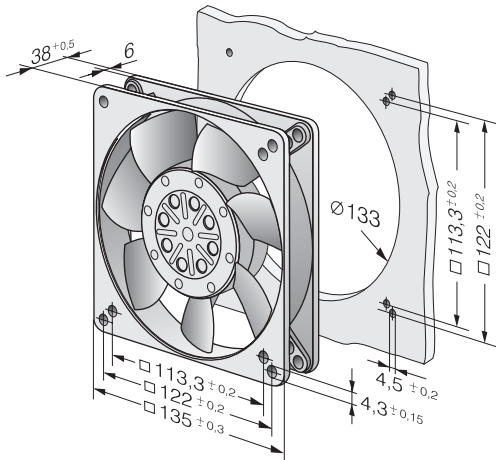


**Technical features**

|  |  |
|--|--|
| <b>Mass</b>                                | 0.800 kg   |
| <b>Dimensions</b>                          | 135 x 135 x 38 mm  |
| <b>Material of impeller</b>                | Sheet steel, coated in black   |
| <b>Housing material</b>                    | Die-cast aluminium   |
| <b>Direction of air flow</b>               | Exhaust over struts  |
| <b>Direction of rotation</b>               | Left, looking at rotor   |
| <b>Bearing</b>                             | Ball bearings  |
| <b>Lifetime L10 at 40 °C</b>               | 47500 h  |
| <b>Lifetime L10 at maximum temperature</b> | 20000 h  |
| <b>Connection line</b>                     | 2 flat connectors 2.8 x 0.5 mm. Housing with grounding lug for M4 x 8. |
| <b>Motor protection</b>                    | Protected from overload by a thermal cutout switch                     |
| <b>Approval</b>                            | VDE, CSA, UL, CE   |



## Product drawing



## Charts: Air flow

