

NS 35/58-AL...

Perforated Aluminum Raised Rail



CLIPLINE

Data Sheet 1737C

© PHOENIX CONTACT - 08/2007

Description

The NS 35/58-AL aluminum raised mounting rail from Phoenix Contact was developed in response to the needs of panel builders who use existing raised rail but require the wire duct closer to the raised rail or prefer rail-centered mounting slots and larger cable routing holes. The patented design also allows the three-sided mounting rail, wall and base to act as a wire-routing cavity.

Features

- U.S. Patent No. 6,913,236 issued July 5, 2005.
- Industry standard height of 2.26 in. (57.4 mm).
- Reduced overall width of 1.38 in. (35.0 mm).
- Available in lengths of 1 m and 2 m.
- Center mounting slots on 3 in. (76.2 mm) centerline spacing that can accommodate #10 slotted, Phillips and hex head screws.
- Large 1 in. (25.4 mm) cable routing holes on a 6 in. (152.4 mm) centerline spacing.



When using protective Heyco bushings, the cable routing holes are reduced to 0.875 in. (22 mm) for Shorty Bushing 2847 and 0.750 in. (19 mm) for Snap Bushing 2140.



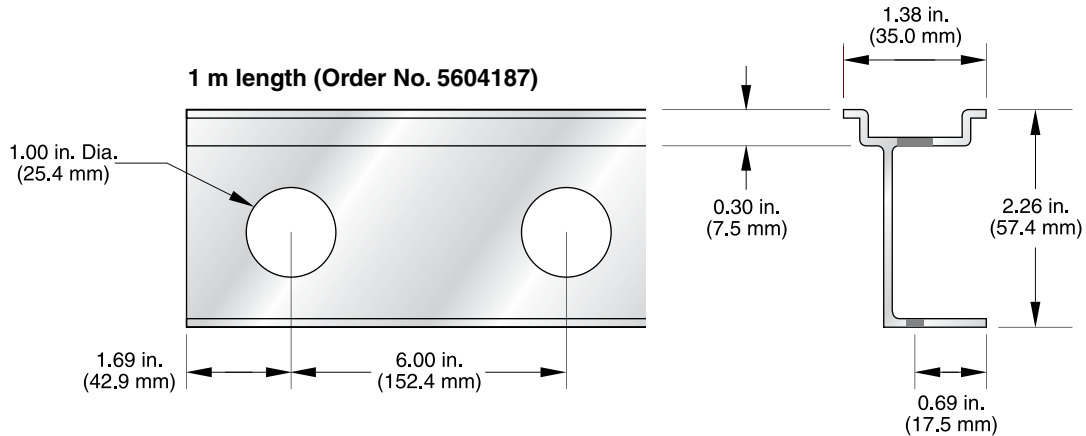
Make sure to always use the latest documentation.
It can be downloaded at www.download.phoenixcontact.com.



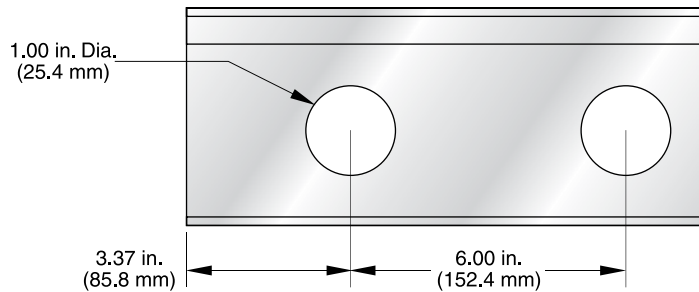
This data sheet is valid for the products listed on the following page:

Ordering Information

Product Description	Type	Order Number	Pcs./Pkt.
Mounting rail, raised, aluminum, perforated 35 x 58 mm, length 1 m 35 x 58 mm, length 2 m	NS 35/58-AL 1M PERF	5604187	1
	NS 35/58-AL 2M PERF	5604188	1



1 m length (Order No. 5604187)



2 m length (Order No. 5604188)



Canada

PHOENIX CONTACT Ltd.
235 Watline Avenue
Mississauga, Ontario L4Z 1P3
Phone: 905-890-2820
Technical Service: 800-890-2820
Fax: 905-890-0180
Website: www.phoenixcontact.ca

USA

PHOENIX CONTACT
P.O. Box 4100
Harrisburg, PA 17111-0100
Phone: 800-888-7388
Technical Service: 800-322-3225
Fax: 717-944-1625
E-mail: info@phoenixcon.com
Website: www.phoenixcon.com

The information given herein is based on data believed to be reliable, but Phoenix Contact makes no warranties expressed or implied as to its accuracy and assumes no liability arising out of its use by others. This publication is not to be taken as a license to operate under, or recommendation to infringe, any patent.