

PLEASE CHECK WWW.MOLEX.COM FOR LATEST PART INFORMATION

Part Number: [5601250200](#)
Status: **Active**
Overview: [DuraClik Connector System](#)
Description: DuraClik ISL Wire-to-Board Terminal Position Assurance (TPA) Retainer, 2 Circuits, Gray

Documents:

3D Model	Packaging Specification 5601250900-PK (PDF)
Drawing (PDF)	Packaging Specification PK-560125-001-002 (PDF)
Application Specification AS-560123-001-001 (PDF)	RoHS Certificate of Compliance (PDF)

General

Product Family	Accessories
Series	560125
Component Type	Terminal Position Assurance
Overview	DuraClik Connector System
Product Name	DuraClik
UPC	887191705545

Physical

Circuits (Loaded)	2
Circuits (maximum)	2
Color - Resin	Gray
Lock to Mating Part	Yes
Material - Resin	PBT
Net Weight	0.051/g
Number of Rows	1
Packaging Type	Bag
Polarized to Mating Part	Yes
Temperature Range - Operating	-40° to +125°C

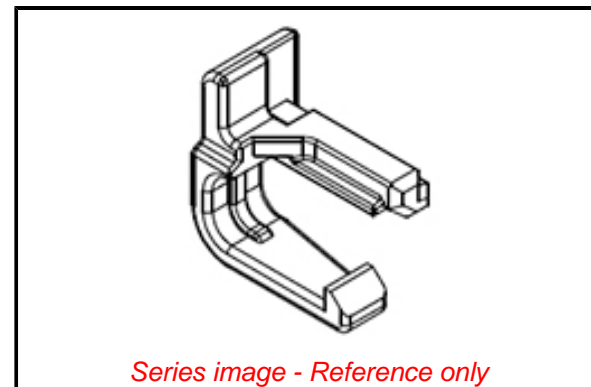
Solder Process Data

Lead-freeProcess Capability	N/A
-----------------------------	-----

Material Info

Reference - Drawing Numbers

Application Specification	AS-560123-001-001
Packaging Specification	5601250900-_PK, PK-560125-001-002
Sales Drawing	SD-560125-001



EU ELV

Compliant

EU RoHS

Compliant

REACH SVHC

Not Contained Per
-ED/88/2018 (15
January 2019)

Halogen-Free

Status

Not Low-Halogen

For more information, please visit [Contact US](#)

China ROHS

ELV

RoHS Phthalates

China RoHS

Green Image

Compliant

Not Contained

Search Parts in this Series

[560125 Series](#)

Use With

DuraClik ISL Terminal Housing [560123](#)