

PLEASE CHECK WWW.MOLEX.COM FOR LATEST PART INFORMATION

Part Number: **5600850101**
Status: **Active**
Overview: DuraClik Connector System
Description: DuraClik Crimp Terminal, Female, 22-26 AWG, Reel

Documents:

[Drawing \(PDF\)](#) [Packaging Specification PK-560085-001-001 \(PDF\)](#)
[Product Specification PS-502351-001-001 \(PDF\)](#) [RoHS Certificate of Compliance \(PDF\)](#)
[Application Specification AS-560085-001-JP-001 \(PDF\)](#)

General

Product Family Crimp Terminals
Series 560085
Application Automotive, Power, Signal, Wire-to-Board
Crimp Quality Equipment Yes
Overview DuraClik Connector System
Product Name DuraClik
UPC 887191151892

Physical

Gender Female
Material - Metal Phosphor Bronze
Material - Plating Mating Tin
Material - Plating Termination Tin
Net Weight 48.880/mg
Packaging Type Reel
Termination Interface: Style Crimp or Compression
Wire Insulation Diameter 1.40mm
Wire Size AWG 22, 24, 26
Wire Size mm² 0.34

Electrical

Voltage - Maximum 125V

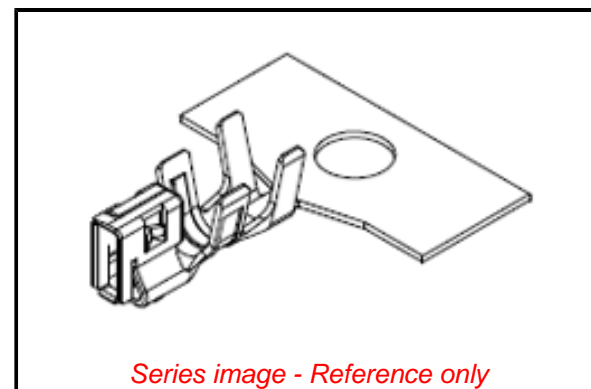
Solder Process Data

Lead-freeProcess Capability N/A

Material Info

Reference - Drawing Numbers

Application Specification AS-560085-001-JP-001
Packaging Specification PK-560085-001-001
Product Specification PS-502351-001-001
Sales Drawing SD-560085-001



Series image - Reference only

EU ELV

Compliant

EU RoHS

Compliant

REACH SVHC

Not Contained Per - ED/71/2019 (16 July 2019)

Halogen-Free

Status

Low-Halogen

For more information, please visit [Contact US](#)

China ROHS

ELV

RoHS Phthalates

China RoHS

Green Image

Compliant

Not Contained

Search Parts in this Series

560085 Series

Use With

502351 DuraClik Wire-to-Board Receptacle Housing

Application Tooling | FAQ

Tooling specifications and manuals are found by selecting the products below. Crimp Height Specifications are then contained in the Application Tooling Specification document.

Global

Description	Product #
Extraction Tool	<u>11030043</u>
FineAdjust Applicator for 2.0 Wire-to-Board Crimp Receptacle Terminal and SMEC Crimp Receptacle Terminals, 22-26 AWG and AVSS 0.3 Wires	<u>2037021900</u>

Hand Crimp Tool 638235100
for 2.00mm Pitch
Wire-to-Board Crimp
Terminal

This document was generated on 10/17/2019

PLEASE CHECK WWW.MOLEX.COM FOR LATEST PART INFORMATION