

**PLEASE CHECK WWW.MOLEX.COM FOR LATEST PART INFORMATION**

**Part Number:** [5600200520](#)  
**Status:** **Active**  
**Overview:** [DuraClik™ Connector System](#)  
**Description:** [DuraClik™ Wire-to-Board Header, Single Row, Vertical, 5 Circuits, Tin \(Sn\) Over Nickel](#)

**Documents:**

[3D Model](#) [RoHS Certificate of Compliance \(PDF\)](#)  
[Drawing \(PDF\)](#)

**General**

Product Family	PCB Headers
Series	560020
Application	Signal, Wire-to-Board
Comments	The Operating Temperature Range when used with DuraClik series 502351 is -40°C to +105°C. It is -40°C to 125°C when used with DuraClik ISL series 560123 or TPA series 505151.
Overview	<a href="#">DuraClik™ Connector System</a>
Product Name	DuraClik™
UPC	887191747316

**Physical**

Breakaway	No
Circuits (Loaded)	5
Circuits (maximum)	5
Color - Resin	Natural
Durability (mating cycles max)	30
First Mate / Last Break	No
Glow-Wire Compliant	No
Keying to Mating Part	Yes
Lock to Mating Part	Yes
Mated Height	6.40mm
Material - Metal	Copper Alloy
Material - Plating Mating	Tin over Nickel
Material - Resin	Polyamide
Net Weight	0.742/g
Number of Rows	1
Orientation	Vertical
PCB Locator	No
PCB Retention	Yes
Packaging Type	Embossed Tape on Reel
Pitch - Mating Interface	2.00mm
Polarized to Mating Part	Yes
Polarized to PCB	Yes
Stackable	No
Temperature Range - Operating	-40°C to +105°C, -40°C to +125°C
Termination Interface: Style	Surface Mount

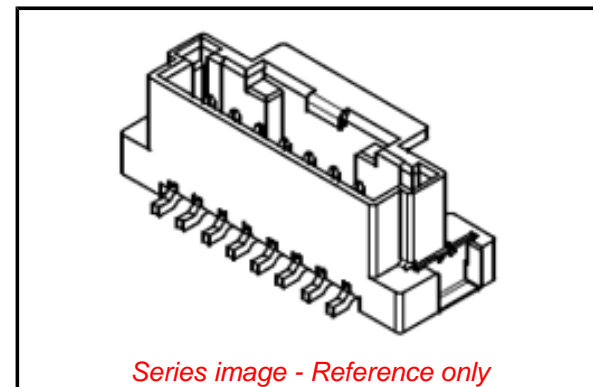
**Electrical**

Current - Maximum per Contact	3.0A
Voltage - Maximum	125V AC (RMS)/DC

**Material Info**

**Reference - Drawing Numbers**

Product Specification	RPS-502351-010-JP
Sales Drawing	SD-502352-003-JP, SD-560020-001, SD-560020-003



**EU ELV**

**Compliant**

**EU RoHS**

**Compliant**

**REACH SVHC**

Not Contained Per -  
ED/21/2016 (20 June  
2016)

**Halogen-Free**

**Status**

**Not Low-Halogen**

**Need more information on product environmental compliance?**

Email [productcompliance@molex.com](mailto:productcompliance@molex.com)  
Please visit the [Contact Us](#) section for any non-product compliance questions.

China ROHS

ELV

Green Image

Compliant

**Search Parts in this Series**

[560020](#) Series

**Mates With**

DuraClik™ Crimp Housings [502351](#) ,  
[560123](#) , [505151](#)

This document was generated on 07/18/2016

**PLEASE CHECK [WWW.MOLEX.COM](http://WWW.MOLEX.COM) FOR LATEST PART INFORMATION**