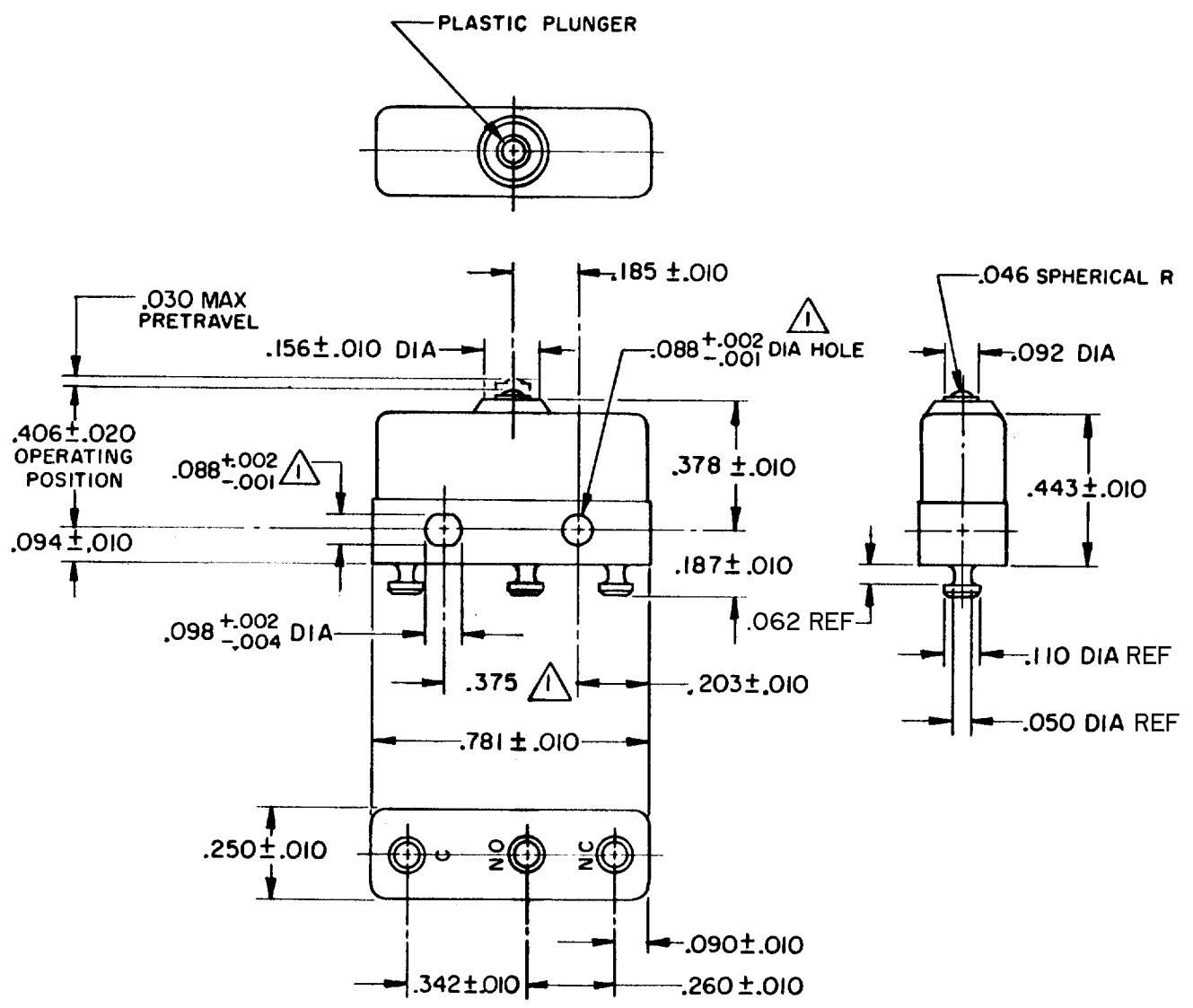


DRAWING NUMBER **51SMI-T**
 PAGE 1 OF 1
 RELEASE NO. SR 12297
 REPLACES
 ISSUE **M**
5
 REVISIONS
 A CO21699 OMW 21 JUL 66
 B CO65845 4 MAY 66
 T J AUG 69
 C CO-95172 J J A 22 JUNE 99
 D CO-95773 G J W 9 DEC 99
 CHECK GPM 4 MAY 66
 CHECK LSD 4 MAY 66
 CHECK M B F 3 MAY 66
 DRAWN
 FORMTEK
 FO-50378



NOTE -
 ▲ MOUNTING HOLES WILL ACCEPT PINS OR SCREWS OF .087 MAX DIA ON .375 ± .002 CENTERS
 2- TERMINALS ARE PLATED FOR SOLDERING

THIS DRAWING COVERS A PROPRIETARY ITEM AND IS THE PROPERTY OF MICRO SWITCH, A DIVISION OF HONEYWELL. THIS DRAWING IS NOT TO BE COPIED OR USED WITHOUT THE APPROVAL OF MICRO SWITCH.

CHARACTERISTICS	ELECTRICAL DATA	SCALE 2 TO 1
OPERATING FORCE --- (A) --- 2-5 OZ	CONTACT ARRANGEMENT S P D T	DO NOT SCALE PRINT
RELEASE FORCE --- 1 OZ MIN	30 VOLTS DC RATING	UNLESS OTHERWISE NOTED
DIFFERENTIAL TRAVEL --- .006 MAX	INDUCTIVE --- SEA LEVEL --- 3 AMP	DIMENSIONS ARE IN INCHES
OVERTRAVEL --- .008 MIN	50,000 FT --- 2.5 AMP	TOLERANCES ARE:
	RESISTIVE --- SEA LEVEL --- 5 AMP	ONE PLACE (.0) ± .030
	50,000 FT --- 5 AMP	TWO PLACE (.00) ± .015
	MAXIMUM INRUSH --- 24 AMP	THREE PLACE (.000) ± .005
	L4 5A 250 VAC	ANGLES ±
		WEIGHT .006 LB MAX