



Search by part # or keyword

[Products](#)

[Industries & Solutions](#)

[Resources](#)

[TE Store](#)

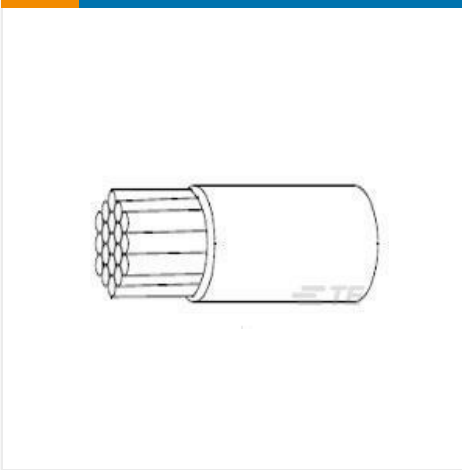
[Sign In](#)



[Wire And Cable Products](#) > [Hook Up Wire](#)

55A0112-22-1

55A0112-22-1



Raychem

TE Internal #: **607610-000**

TE Internal Description: **55A0112-22-1**

Alias #: **4-1194806-7**

Cable Type : **Spec 55**

Voltage Rating (V): **600**

Insulation Material : **Modified Radiation Cross-linked ETFE Polymer**

Conductor Material : **Silver-Coated Copper**

Wire Size (AWG): **22**

[Similar Products](#) | [Digital Datasheet](#)

Compatible Parts & Tooling

Purchase items directly from TE.com

We are here to help!

Get in touch with our product experts.



[CHAT WITH US](#)



[EMAIL US](#)



[CALL US](#)

Feedback

Documents

Features

Product Compliance

Product Drawings

55A0112-22-1

[55A0112-22-1](#) English

[Wire, Radiation-Crosslinked, Modified ETFE-Insulated, Lightweight, General Purpose, 600 Volt.tif](#) English

Datasheets & Catalog Pages

1654025_Sec9_SPEC55

[ENG_CS_1654025_Sec9_SPEC55_0313.pdf](#) English

Product Specifications

Product Specification

[ENG_SS_SPEC55A_4.pdf](#) English

Please review product documents or [contact us](#) for the latest agency approval information. Please Note: Use the Product Drawing for all design activity.

Product Type Features

Cable Type : **Spec 55**

Cable Style : **Primary**

Product Classification :

High Performance - Spec 44, 55 & RCW

Product Type : **Wire**



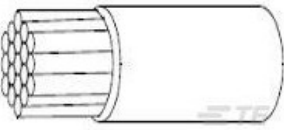
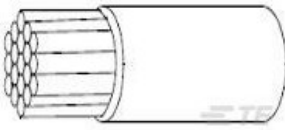
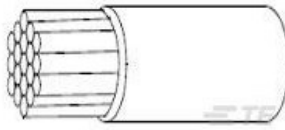
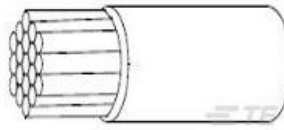
Configuration Features	Number of Strands : 19 Number of Conductors : 1
Electrical Characteristics	Voltage Rating (V): 600
Body Features	Insulation Material : Modified Radiation Cross-linked ETFE Polymer Conductor Material : Silver-Coated Copper Wire Color : Brown
Dimensions	Strand Size (AWG): 34 Wire Size (AWG): 22 Cable Insulation Thickness : .127 mm [.005 in] Conductor Diameter : .79 mm [.031 in] Overall Outside Diameter : 1.09 mm [.043 in] Wire Diameter : 1.09 mm [.043 in]
Usage Conditions	Operating Temperature Range (°C): -65 – 200
Other	Wire Source : United States
Statement of Compliance	Statement of Compliance pdf

Products with Similar Specs

[View All Similar Products](#)

THIS PRODUCT

TOP RESULTS ?

<p>HOOK UP WIRE 55A0112-22-1 55A0112-22-1</p>  <p style="text-align: center;">In-Stock</p> <p>Cable Type : Spec 55 Voltage Rating : 600 V Insulation Material : Modified Radiation Cross-linked ETFE Polymer Conductor Material : Silver-Coated Copper ...</p>	<p>HOOK UP WIRE 55A0112-22-6 55A0112-22-6</p>  <p style="text-align: center;">Non-Stocked</p> <p>Cable Type : Spec 55 Voltage Rating : 600 V Insulation Material : Modified Radiation Cross-linked ETFE Polymer Conductor Material : Silver-Coated Copper ...</p>	<p>HOOK UP WIRE 55A0112-22-7 55A0112-22-7</p>  <p style="text-align: center;">In-Stock</p> <p>Cable Type : Spec 55 Voltage Rating : 600 V Insulation Material : Modified Radiation Cross-linked ETFE Polymer Conductor Material : Silver-Coated Copper ...</p>	<p>HOOK UP WIRE 55A0112-22-4 55A0112-22-4</p>  <p style="text-align: center;">Non-Stocked</p> <p>Cable Type : Spec 55 Voltage Rating : 600 V Insulation Material : Modified Radiation Cross-linked ETFE Polymer Conductor Material : Silver-Coated Copper ...</p>
---	--	--	--

[ABOUT TE CONNECTIVITY](#)

[FOR PARTNERS](#)

[SUPPORT](#)

[CALL US](#)

[LIVE CHAT](#)

[UNITED STATES \(EN\)](#)