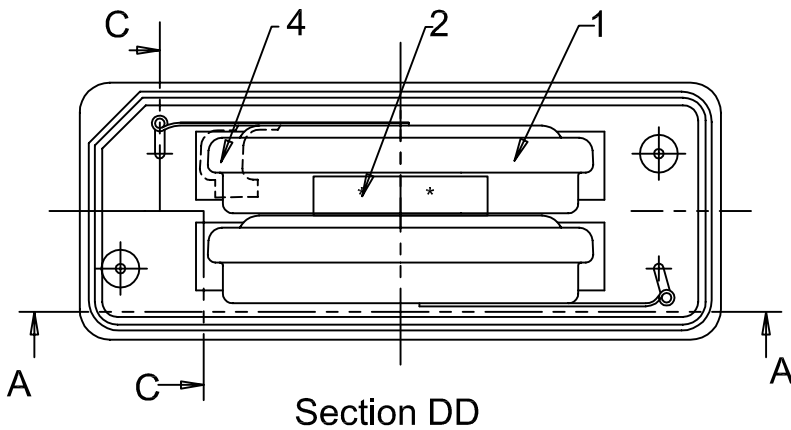
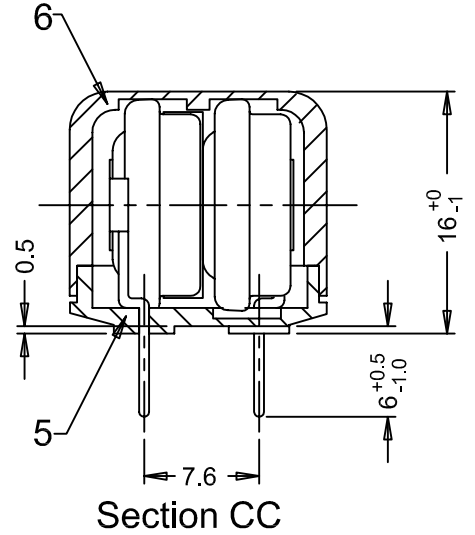
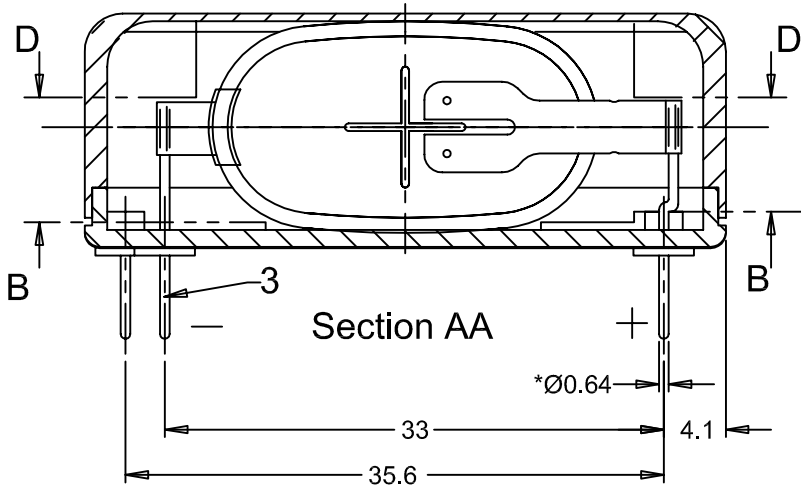
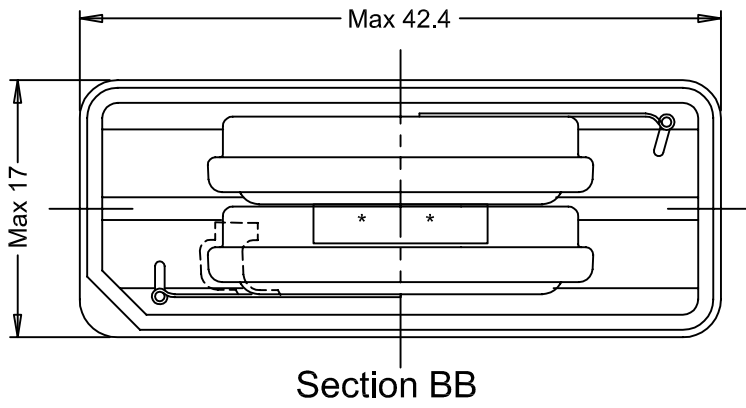


This is a controlled document.
 Hardcopy to be endorsed by authorised person.
 Check with Issuing Officer or SAP system for latest update.



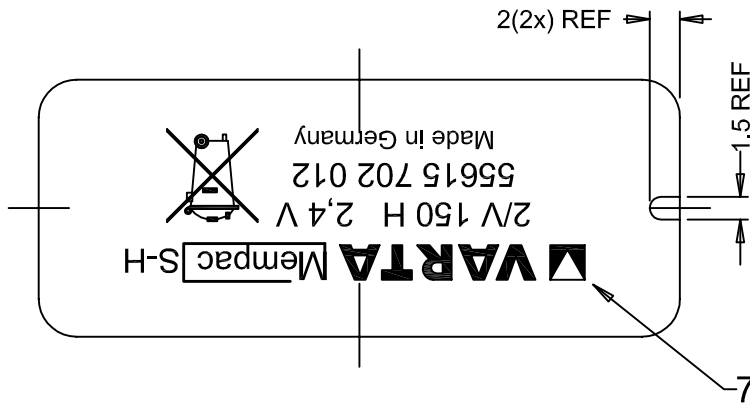
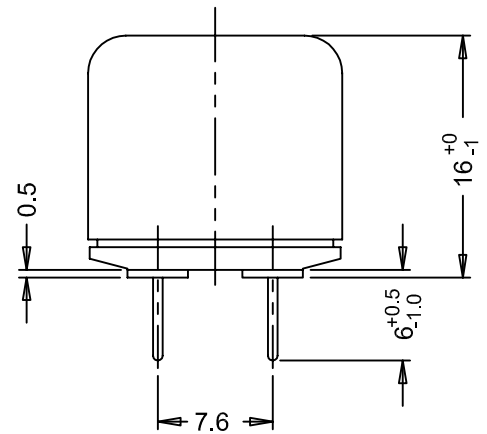
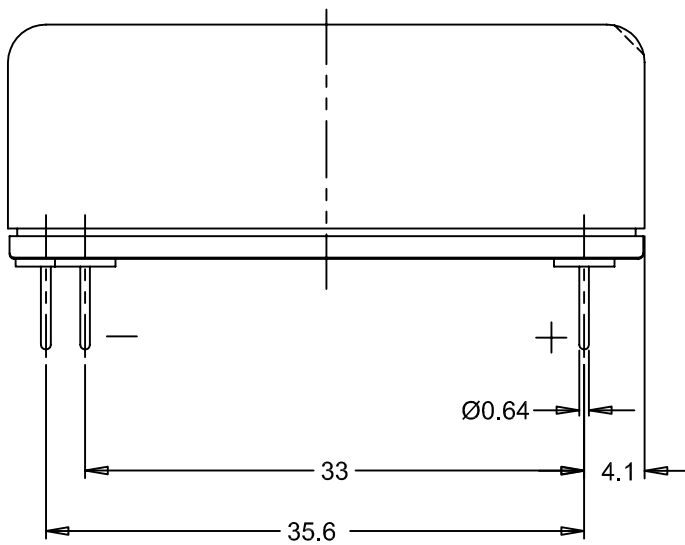
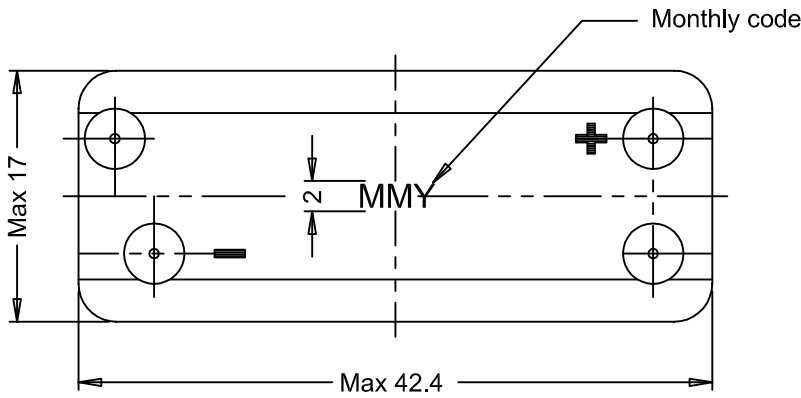
Note: 1) *Dimensions for reference only
 2) For item no 8: Impregnated separator is at the negative end

4	13-R249	Change length of pin from 6 ± 0.5 to 6 + 0.5 -1	2013-08-24	Jadi
3	13-R177	Change material " Y" tag from #011111 to #068885	2013-04-11	M. Ali
2	12-R027	Change date code from Q3 (QQY) to M3 (MMY)	2012-01-30	TitisWS
1	R227/08	To add crossed-out wheeled bin	2008-07-10	Ratna
No	AO No	Revisions	Date	Name

Projection:		Material: Refer to part list no: 070927		Description: 2/V150H battery "Mempac S-H"	
Dimensions in mm		Prepared & Checked	Verified & Approved	Dwg. No: 070927 (sheet 2 of 2)	404
Tolerance: DIN 7168-m		1997-09-23	A.P.ANG	VKB Order No: 55615 702 012	
Scale: 1 : 1					

Rights reserved to make technical changes, as a result of further development, without notice. This drawing is the property of VARTA Microbattery and must not be copied or disclosed to a third party without the written consent of VARTA Microbattery.





No	AO No	Revisions	Date	Name
4	13-R249	Change length of pin from 6 ± 0.5 to $6 + 0.5 -1$	2013-08-24	Jadi
3	13-R177	Change material " Y" tag from #011111 to #068885	2013-04-11	M. Ali
2	12-R027	Change date code from Q3 (QQY) to M3 (MMY)	2012-01-30	TitisWS
1	R227/08	To add crossed-out wheeled bin	2008-07-10	Ratna

Projection:		Material: Refer to part list no: 070927		Description: 2V/150H battery "Mempac S-H"		
Dimensions in mm		Prepared & Checked 1997-09-23 A.P.ANG		Verified & Approved		Dwg. No: 070927 (sheet 1 of 2) 404 VKB Order No: 55615 702 012
Tolerance: DIN 7168-m Scale: 1 : 1						