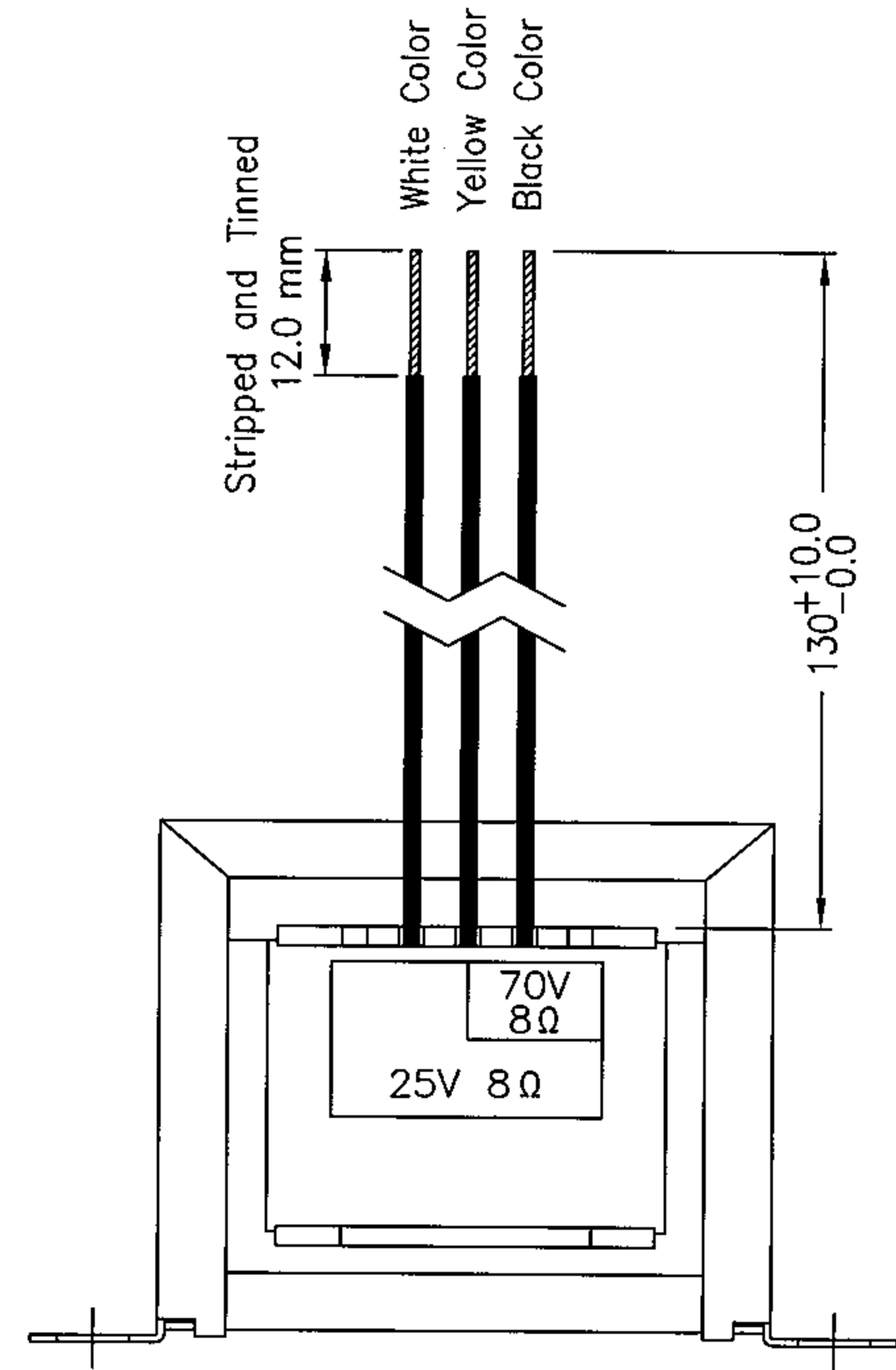
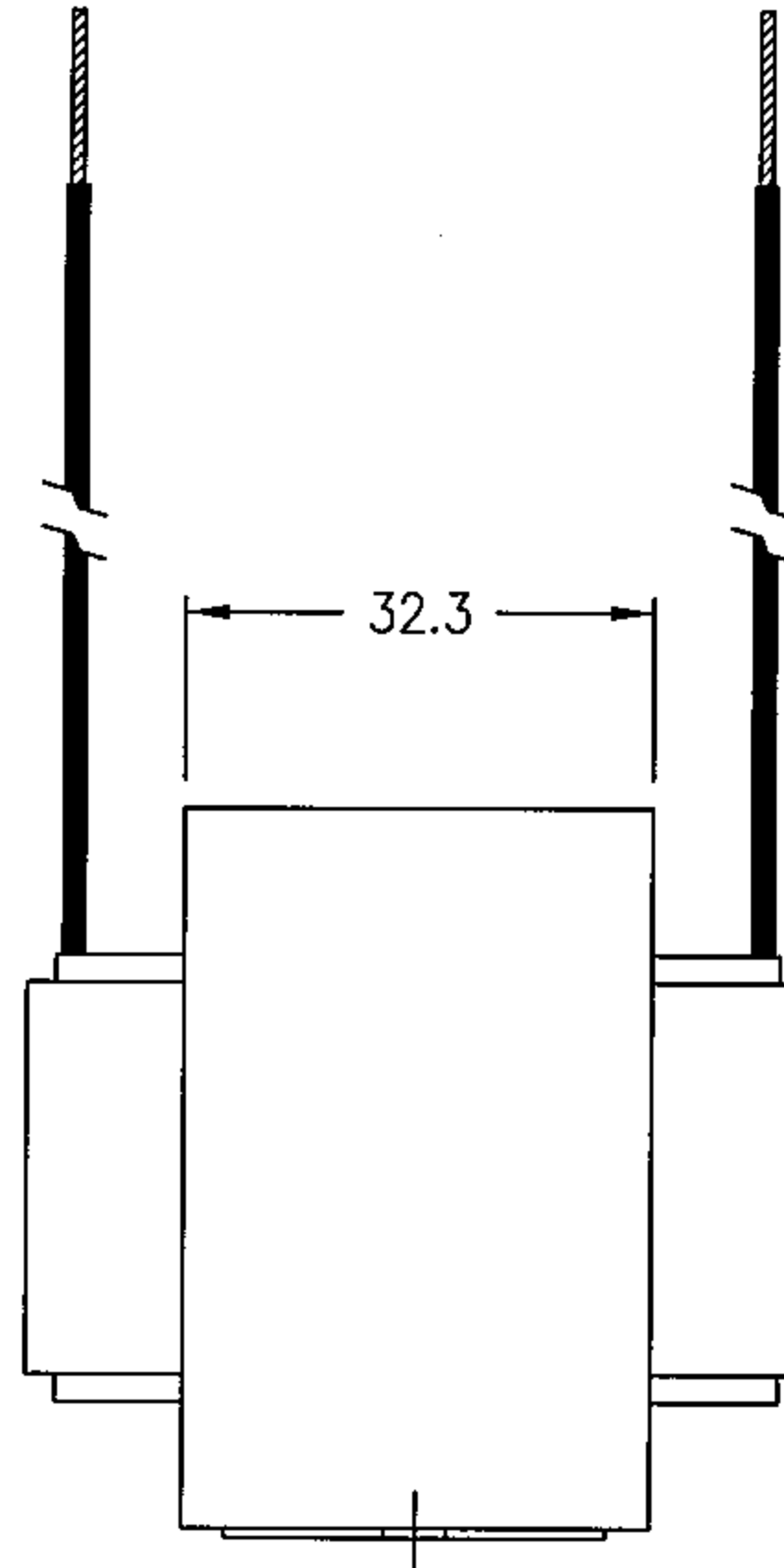
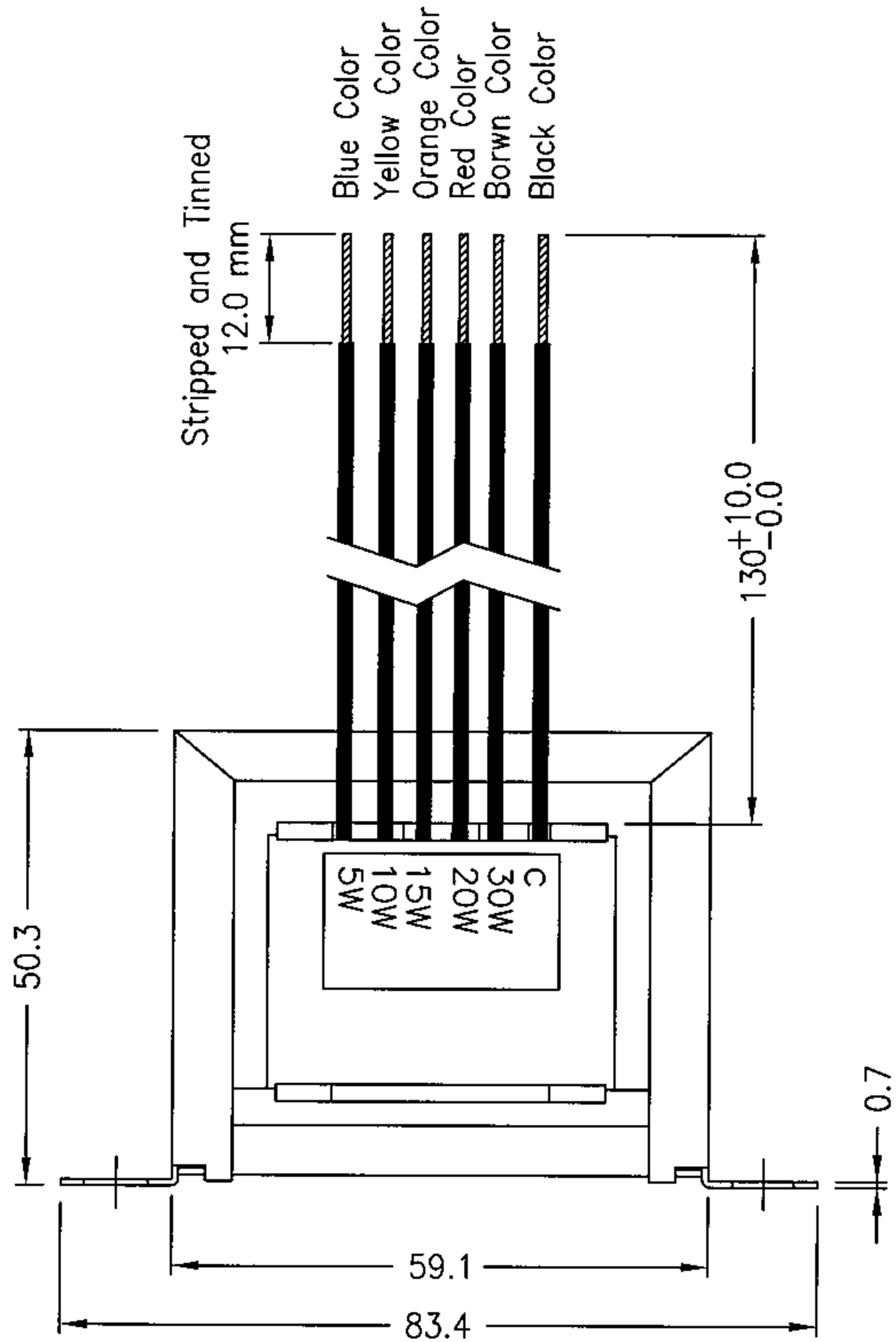


MCM FILE NO. 555-7125

REV.	DESCRIPTION	DRAWN/DATE	APPROVED/DATE
0	INITIAL RELEASE	YANG 03/29/2002	LIN 03/29/2002
1	REVISE 3X6" WAS 6X6"	FROS 10/20/2005	



Specification : Primary - 5W, 10W, 15W, 20W, 30W with 6x6" 22AWG UL leads.
 Secondary - 25V 8Ω, 70V 8Ω with \triangle 3x6" 22AWG UL leads.

DIMENSIONS ARE IN mm [INCH]	TOLERANCES ARE FRACTIONS DECIMALS ANGLES	MATERIAL	25V & 70V LINE TRANSFORMER 30W	P/N	555-7125	DRAWN	YANG	DATE	03/29/2002
MOLD NO.	.x ±0.2 [0.008] .xx ±0.12[0.005]	FINISH		PROJECT NO.					
555-7125		COLOR		SCALE	1/1	SIZE		SHEET	1 OF 1