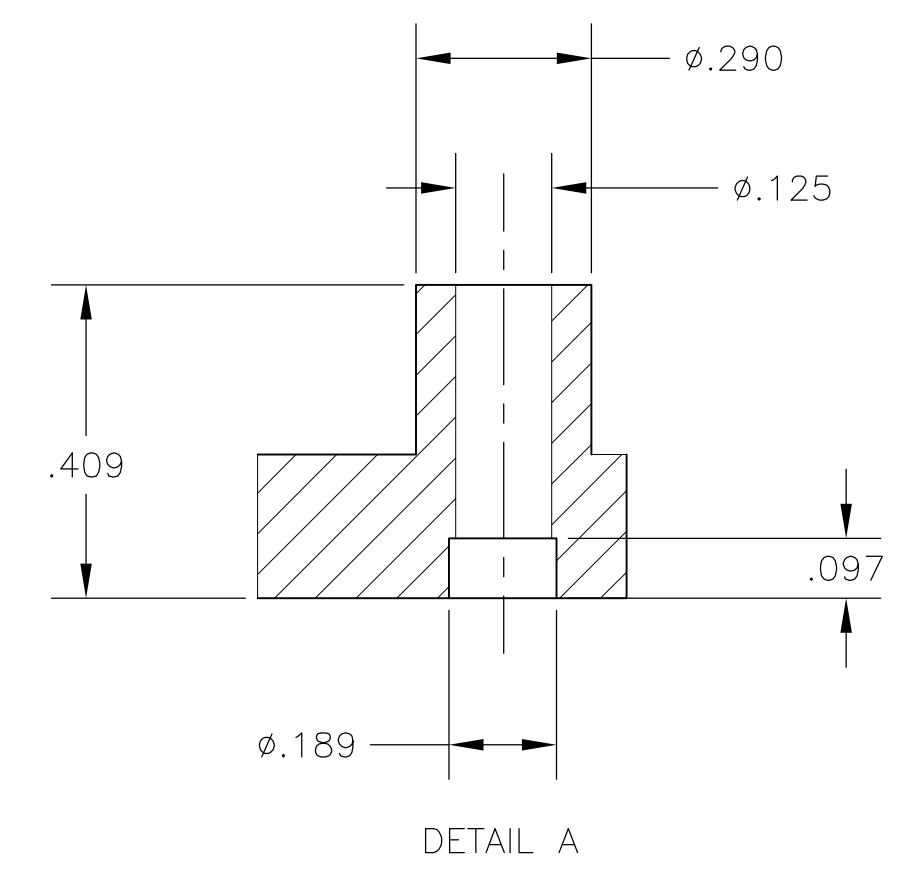
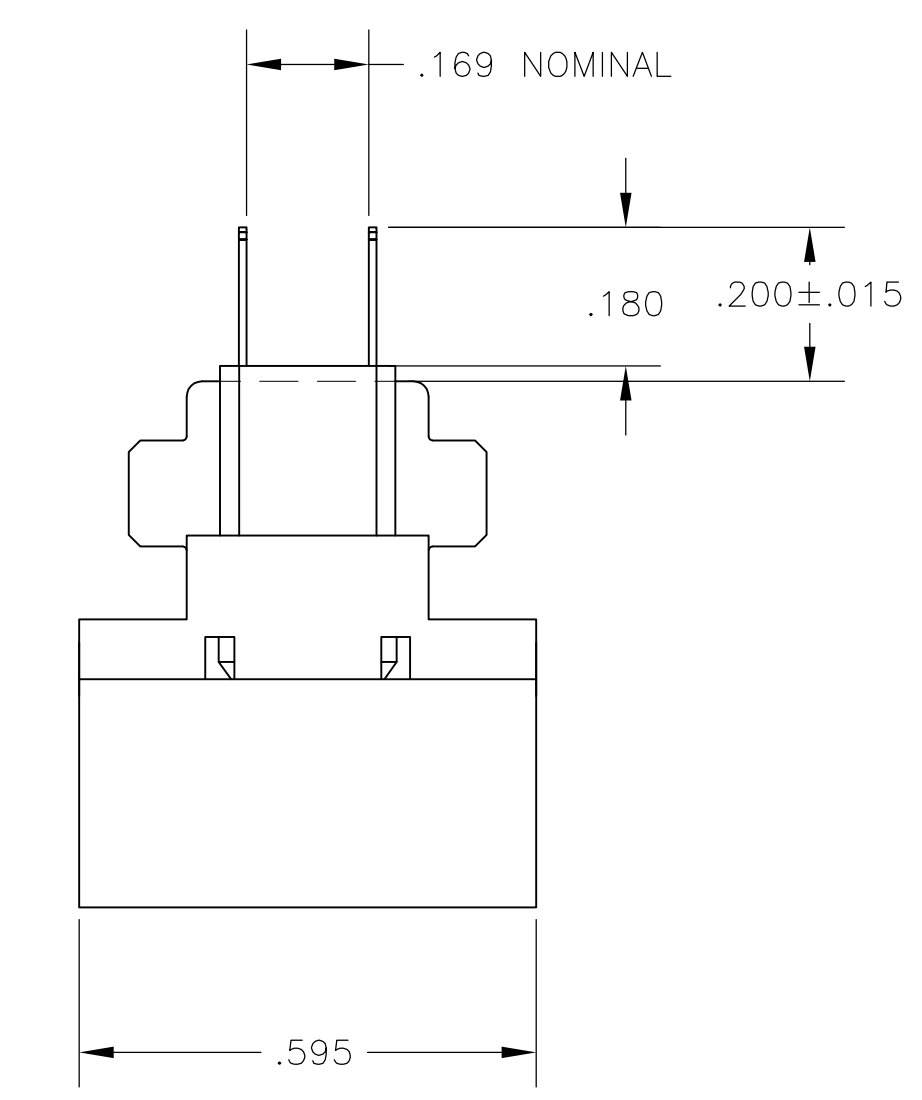


1. THE CONTACT SURFACES OF THE TERMINALS ARE COATED WITH LUBRICANT.
2. MATERIAL: HOUSING - POLYESTER, BLACK. TERMINAL - PHOS BRONZE PLATED WITH EITHER .000030 MINIMUM GOLD PLATE OR GOLD FLASH OVER PALLADIUM NICKEL PLATE, .000030 MINIMUM TOTAL ON MATING SURFACE. .000120 MINIMUM MATTE TIN ON TAILS OVER .000050 MINIMUM NICKEL UNDERPLATE OVER ENTIRE TERMINAL.
3. DIMENSIONS ARE MAXIMUM UNLESS OTHERWISE SPECIFIED.
4. HOUSING MATERIAL WILL WITHSTAND 415' FOR 20 SECONDS. MATERIAL PASSES UL94-VO FLAMMABILITY.



5552116-1 PART NUMBER

THIS DRAWING IS A CONTROLLED DOCUMENT.		DIN B. LATTUCA 17AUG05	Tyco Electronics Corporation Harrisburg, PA 17105-3608
DIMENSIONS: INCHES		CHK W. MILLHIMES 17AUG05	
TOLERANCES UNLESS OTHERWISE SPECIFIED:		NAME M. WALMSLEY 17AUG05	PLUG ASSY, 50 POSN, VERT MTG, CHAMP-LOK
0 PLC ± -	1 PLC ± -	PRODUCT SPEC	APPLICATION SPEC
2 PLC ± -	3 PLC ± -	SIZE	CAGE CODE
4 PLC ± -	ANGLES ± -	WEIGHT	DRAWING NO
MATERIAL		RESTRICTED TO	SCALE
FINISH		100779	5552116
CUSTOMER DRAWING		SCALE 4:1	SHEET 1 OF 1 REV B