

PLEASE CHECK WWW.MOLEX.COM FOR LATEST PART INFORMATION

Part Number: [0554600572](#)
Status: **Active**
Description: 2.00mm Pitch Mi II™ System Wire-to-Board Header, Surface Mount, Single Row, Vertical, 5 Circuits

Documents:

[3D Model](#) [Product Specification PS-52484-022-001 \(PDF\)](#)
[Drawing \(PDF\)](#) [RoHS Certificate of Compliance \(PDF\)](#)
[Product Specification PS-51090-017-001 \(PDF\)](#)

Agency Certification

UL E29179

General

Product Family PCB Headers
 Series [55460](#)
 Application Signal, Wire-to-Board
 Product Name Mi II™
 UPC 822348188406

Physical

Breakaway No
 Circuits (Loaded) 5
 Circuits (maximum) 5
 Color - Resin Natural
 Durability (mating cycles max) 30
 First Mate / Last Break No
 Flammability 94V-0
 Glow-Wire Compliant No
 Guide to Mating Part No
 Keying to Mating Part None
 Lock to Mating Part No
 Material - Metal Phosphor Bronze
 Material - Plating Mating Tin
 Material - Plating Termination Tin
 Material - Resin High Temperature Thermoplastic
 Net Weight 443.900/mg
 Number of Rows 1
 Orientation Vertical
 PCB Locator No
 PCB Retention Yes
 Packaging Type Embossed Tape on Reel
 Pitch - Mating Interface 2.00mm
 Shrouded Fully
 Stackable No
 Temperature Range - Operating -40°C to +105°C
 Termination Interface: Style Surface Mount

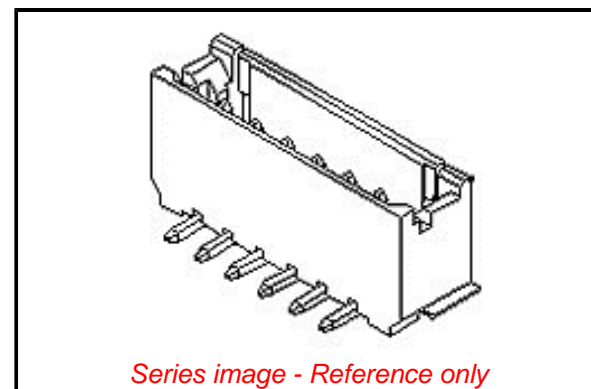
Electrical

Current - Maximum per Contact 1.5A
 Voltage - Maximum 125V

Material Info

Reference - Drawing Numbers

Product Specification PS-51090-017-001, PS-52484-022-001
 Sales Drawing SD-55460-010, SD-55460-011



Series image - Reference only

EU ELV

Not Relevant

EU RoHS

Compliant

China RoHS

REACH SVHC

Not Contained Per -
 ED/21/2016 (20 June
 2016)

Halogen-Free

Status

Not Low-Halogen

Need more information on product environmental compliance?

Email productcompliance@molex.com
 Please visit the [Contact Us](#) section for any non-product compliance questions.

China ROHS Green Image
 ELV Not Relevant
 RoHS Phthalates Not Contained

Search Parts in this Series

[55460](#) Series

Mates With

[52484](#) IDT Receptacle Housing, [51090](#) Wire-to-Board Receptacle

This document was generated on 02/08/2017

PLEASE CHECK WWW.MOLEX.COM FOR LATEST PART INFORMATION