

**PLEASE CHECK WWW.MOLEX.COM FOR LATEST PART INFORMATION**

**Part Number:** [0554562069](#)  
**Status:** **Active**  
**Description:** 1.25mm Pitch Mi II™ System Wire-to-Board Header, Single Row, Right Angle, Surface Mount, 20 Circuits, without Plastic Peg

**Documents:**

[3D Model](#) [Product Specification PS-54596-022-001 \(PDF\)](#)  
[Drawing \(PDF\)](#) [RoHS Certificate of Compliance \(PDF\)](#)

**Agency Certification**

UL E29179

**General**

Product Family PCB Headers  
 Series [55456](#)  
 Application Signal, Wire-to-Board  
 MolexKits Yes  
 Product Name Mini Mi II™  
 UPC 822348869633

**Physical**

Breakaway No  
 Circuits (Loaded) 20  
 Circuits (maximum) 20  
 Color - Resin Natural  
 Durability (mating cycles max) 30  
 Glow-Wire Compliant No  
 Lock to Mating Part Yes  
 Mated Height 4.50mm  
 Material - Metal Brass  
 Material - Plating Mating Tin  
 Material - Plating Termination Tin  
 Material - Resin Nylon  
 Net Weight 984.400/mg  
 Number of Rows 1  
 Orientation Right Angle  
 PCB Locator No  
 PCB Retention Yes  
 Packaging Type Embossed Tape on Reel  
 Pitch - Mating Interface 1.25mm  
 Pitch - Termination Interface 1.25mm  
 Polarized to Mating Part Yes  
 Stackable No  
 Temperature Range - Operating -40°C to +105°C  
 Termination Interface: Style Surface Mount

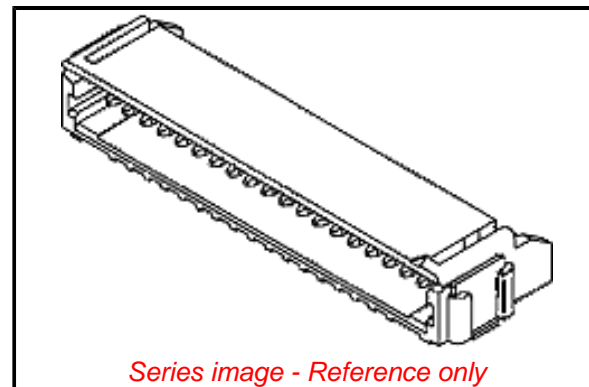
**Electrical**

Current - Maximum per Contact 1.5A  
 Voltage - Maximum 100V AC (RMS)/DC

**Material Info**

**Reference - Drawing Numbers**

Product Specification PS-54596-022-001  
 Sales Drawing 554560250-000, 554560259-000



**EU ELV**

**Not Relevant**

**EU RoHS**

**Compliant**

**REACH SVHC**

Not Contained Per -  
 ED/30/2017 (7 July  
 2017)

**Halogen-Free**

**Status**

**Not Low-Halogen**

**Need more information on product  
 environmental compliance?**

Email [productcompliance@molex.com](mailto:productcompliance@molex.com)  
 Please visit the [Contact Us](#) section for any  
 non-product compliance questions.

China ROHS	Green Image
ELV	Not Relevant
RoHS Phthalates	Not Contained

**Search Parts in this Series**

[55456](#) Series

**Mates With**

[54596](#) IDT Receptacle Housing

This document was generated on 08/01/2017

**PLEASE CHECK [WWW.MOLEX.COM](http://WWW.MOLEX.COM) FOR LATEST PART INFORMATION**