

PLEASE CHECK WWW.MOLEX.COM FOR LATEST PART INFORMATION

Part Number: [0554562059](#)
Status: **Active**
Description: 1.25mm Pitch Mi II™ System Wire-to-Board Header, Single Row, Right Angle, Surface Mount, 20 Circuits, with Plastic Peg

Documents:

[3D Model](#) [Packaging Specification SPK-55456-001-001 \(PDF\)](#)
[Drawing \(PDF\)](#) [RoHS Certificate of Compliance \(PDF\)](#)
[Product Specification PS-54596-022-001 \(PDF\)](#)

Agency Certification

UL E29179

General

Product Family PCB Headers
 Series [55456](#)
 Application Signal, Wire-to-Board
 Product Name Mini Mi II™
 UPC 822348869442

Physical

Breakaway No
 Circuits (Loaded) 20
 Circuits (maximum) 20
 Color - Resin Natural
 Durability (mating cycles max) 30
 Glow-Wire Compliant No
 Lock to Mating Part Yes
 Mated Height 4.50mm
 Material - Metal Brass
 Material - Plating Mating Tin
 Material - Plating Termination Tin
 Material - Resin Nylon
 Net Weight 883.400/mg
 Number of Rows 1
 Orientation Right Angle
 PCB Locator Yes
 PCB Retention Yes
 Packaging Type Embossed Tape on Reel
 Pitch - Mating Interface 1.25mm
 Pitch - Termination Interface 1.25mm
 Polarized to Mating Part Yes
 Stackable No
 Temperature Range - Operating -40°C to +105°C
 Termination Interface: Style Surface Mount

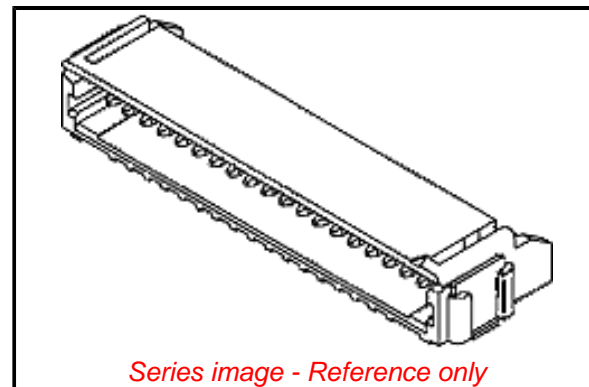
Electrical

Current - Maximum per Contact 1.5A
 Voltage - Maximum 100V AC (RMS)/DC

Material Info

Reference - Drawing Numbers

Packaging Specification SPK-55456-001-001
 Product Specification PS-54596-022-001
 Sales Drawing 554560250-000, 554560259-000



Series image - Reference only

EU ELV

Not Relevant

EU RoHS

Compliant

REACH SVHC

Not Contained Per -
 ED/30/2017 (7 July
 2017)

Halogen-Free

Status

Not Low-Halogen

**Need more information on product
 environmental compliance?**

Email productcompliance@molex.com
 Please visit the [Contact Us](#) section for any
 non-product compliance questions.

China ROHS

ELV

RoHS Phthalates

Green Image

Not Relevant

Not Contained

Search Parts in this Series

[55456](#) Series

Mates With

[54596](#) IDT Receptacle Housing

This document was generated on 08/29/2017

PLEASE CHECK WWW.MOLEX.COM FOR LATEST PART INFORMATION