

**PLEASE CHECK WWW.MOLEX.COM FOR LATEST PART INFORMATION**

**Part Number:** [0554470270](#)  
**Status:** **Active**  
**Description:** 1.25mm Pitch Mi II™ System Wire-to-Board Header, Single Row, Vertical, with Positive Lock, 2 Circuits

**Documents:**

[3D Model](#) [Product Specification PS-54596-021-001 \(PDF\)](#)  
[Drawing \(PDF\)](#) [RoHS Certificate of Compliance \(PDF\)](#)  
[Product Specification PS-54596-018-001 \(PDF\)](#)

**General**

Product Family	PCB Headers
Series	<a href="#">55447</a>
Application	Signal, Wire-to-Board
MolexKits	Yes
Product Name	Mini Mi II™
UPC	756054760352

**Physical**

Breakaway	No
Circuits (Loaded)	2
Circuits (maximum)	2
Color - Resin	Natural
Durability (mating cycles max)	30
First Mate / Last Break	No
Glow-Wire Compliant	No
Guide to Mating Part	No
Keying to Mating Part	None
Lock to Mating Part	Yes
Material - Plating Mating	Tin
Material - Plating Termination	Tin
Material - Resin	Nylon
Net Weight	236.500/mg
Number of Rows	1
Orientation	Vertical
PC Tail Length	3.00mm
PCB Locator	Yes
PCB Retention	Yes
PCB Thickness - Recommended	1.60mm
Packaging Type	Tray
Pitch - Mating Interface	1.25mm
Polarized to Mating Part	Yes
Shrouded	Fully
Stackable	No
Surface Mount Compatible (SMC)	No
Temperature Range - Operating	-40°C to +105°C
Termination Interface: Style	Through Hole

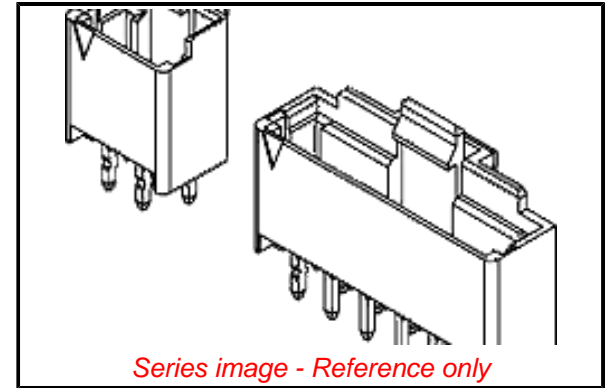
**Electrical**

Current - Maximum per Contact	1.5A
Voltage - Maximum	100V

**Material Info**

**Reference - Drawing Numbers**

Product Specification	PS-54596-018-001, PS-54596-021-001
Sales Drawing	SD-55447-010



*Series image - Reference only*

**EU ELV**

**Not Relevant**

**EU RoHS**

**Compliant**

**REACH SVHC**

Not Contained Per -  
ED/30/2017 (7 July  
2017)

**Halogen-Free**

**Status**

**Not Low-Halogen**

**Need more information on product environmental compliance?**

Email [productcompliance@molex.com](mailto:productcompliance@molex.com)  
Please visit the [Contact Us](#) section for any non-product compliance questions.

China ROHS	Green Image
ELV	Not Relevant
RoHS Phthalates	Not Contained

**Search Parts in this Series**

[55447 Series](#)

**Mates With**

[51336](#) PBT Polyester, Glass-filled Housing,  
[54596](#) PA Polyamide Housing

This document was generated on 08/04/2017

**PLEASE CHECK [WWW.MOLEX.COM](http://WWW.MOLEX.COM) FOR LATEST PART INFORMATION**