

# UMK RJ-11/45 Interface Module

Data Sheet 1179A

June 2000

## Features

- Interface from RJ-11/45 to discrete wire connections
- Industry standard shielded RJ-11/45 connector
- DIN-rail mounted
- Compact design
- Six, eight and ten position connections available

## Description

The RJ-11/45 Interface modules allow the modular jack connection to be converted to discrete wiring. The interface is accomplished through traces on the PC board. The RJ-11/45 shield is fed through the module to a discrete connection. The module has a universal mounting foot for all types of standard DIN-rail.

Each module utilizes a shielded RJ-11/45 connector in either six, eight or ten positions and the Phoenix Contact reliable screw clamp terminal blocks for the discrete wire connections.

The RJ-11/45 Interface modules are ideal for the use of ethernet breakouts. This module provides for an easy solution to break ethernet cabling out to discrete wiring.

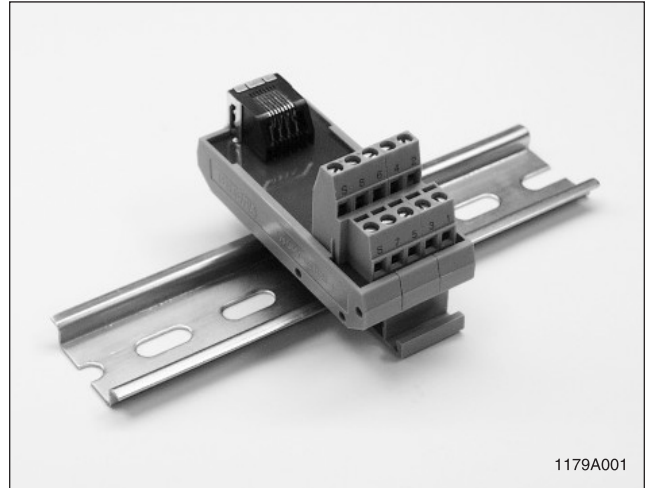


Figure 1. UMK RJ-11 Interface Module

Table 1. UMK RJ-11/45 Specifications

General Specifications	
<b>Technical Data</b>	
Rated voltage .....	120 V per branch
Rated current .....	1 A per branch
Maximum wire size .....	14 AWG
<b>General</b>	
Utilizes a shielded RJ-11/45 connector	
<b>Dimensions</b>	
Height .....	1.97 in. (50 mm)
Width .....	1.33 in. (33.75 mm)
Depth .....	3.03 in. (77 mm)

1179A002

# UMK RJ-11 Interface Module

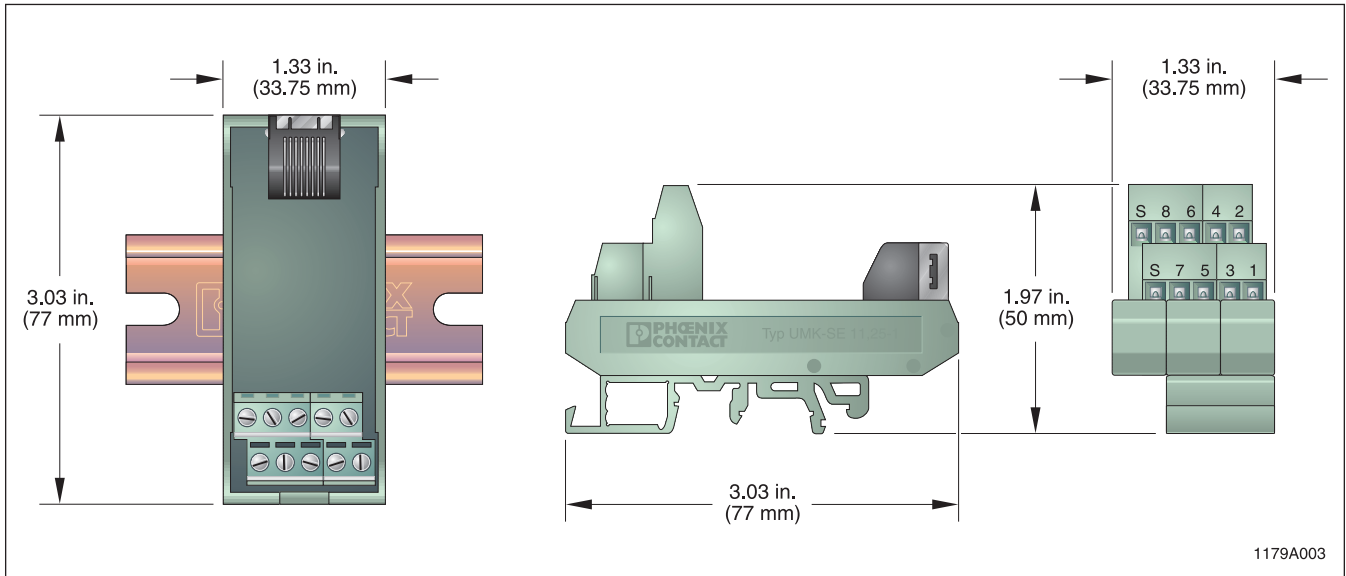


Figure 2. UMK RJ-11 Interface Module Dimensions

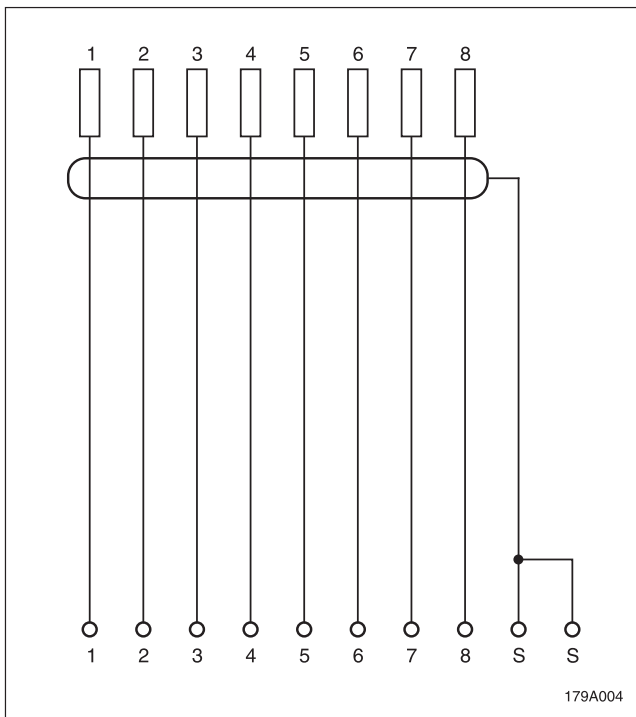


Figure 3. UMK RJ-11/45 Block Diagram

## Ordering Information

UMK-RJ11/6	55 43 64 3
6 position interface module	
UMK-RJ11/8	55 43 63 0
8 position interface module	
UMK-RJ45	55 25 94 6
10 position interface module	

## Headquarters, U.S.

Phoenix Contact Inc.  
 P.O. Box 4100  
 Harrisburg, PA 17111-0100  
 Technical Support and Information: (800) 322-3225  
 Fax: (717) 948-3475  
 Fax-On-Demand: (800) 944-9901  
 Email: [info@phoenixcon.com](mailto:info@phoenixcon.com)  
 Web Site: <http://www.phoenixcontact.com>

## Headquarters, Canada

Phoenix Contact Ltd.  
 235 Watline Avenue  
 Mississauga, Ontario L4Z 1P3  
 Phone: (905) 890-2820  
 Fax: (905) 890-0180

The information given herein is based on data believed to be reliable, but Phoenix Contact Inc. makes no warranties expressed or implied as to the accuracy and assumes no liability arising out of its use by others. This publication is not to be taken as license to operate under, or recommendation to infringe, any patent.

