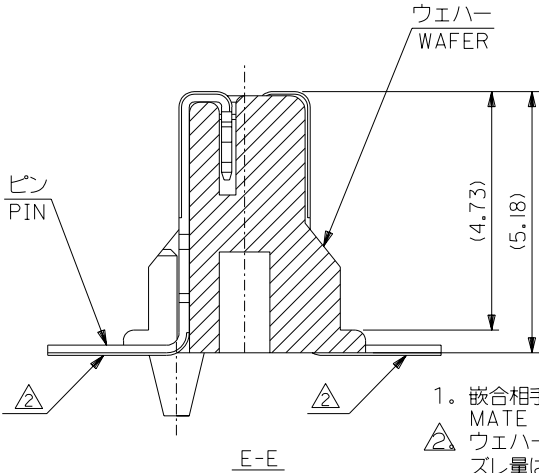
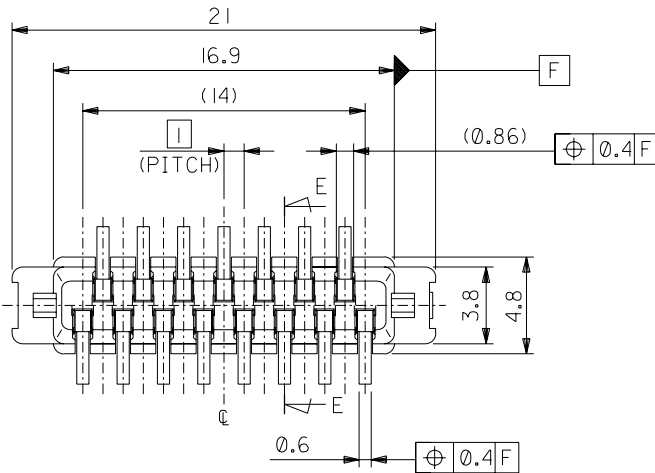
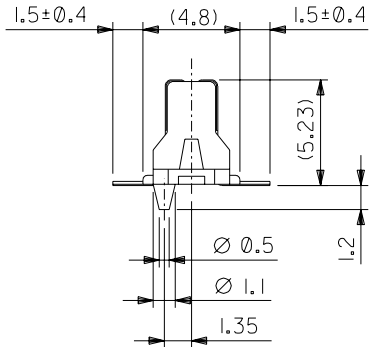
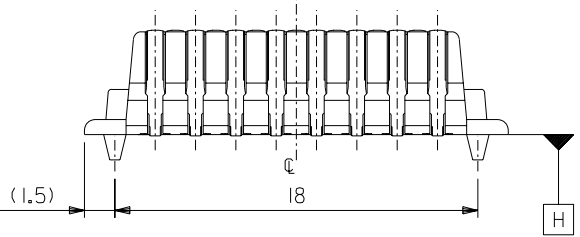


DWG. NO. SD-55323-006



注記 NOTES

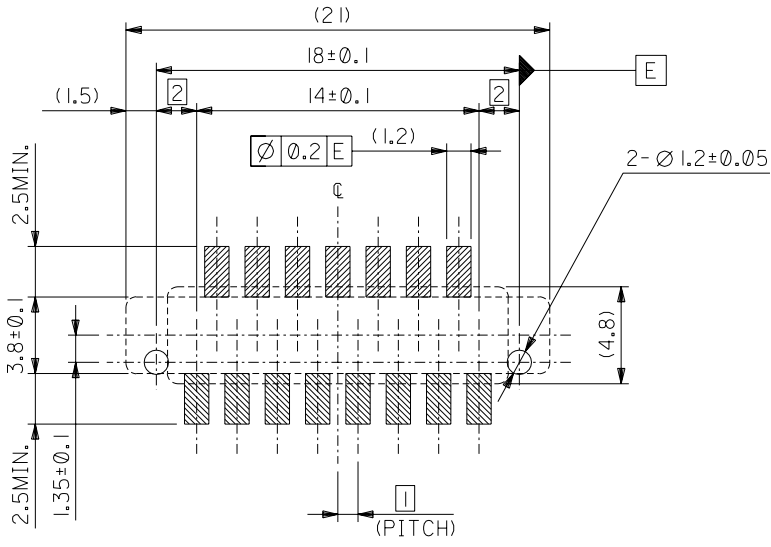
- 嵌合相手 : 54462シリーズ  
MATE WITH : 54462 SERIES  
 ウェハりの底面[H]から端子のソルダーテール面のズレ量は、上方向0.1MAX.、下方向0.2MAX.とし、各端子間のソルダーテール面のズレ量は0.25MAX.とする。  
 MISALIGNMENT OF SOLDER TAILS FROM [H]  
 UPPER DIRECTION : 0.1 MAX.,  
 LOWER DIRECTION : 0.2 MAX.  
 OFFSET BETWEEN UPPER AND LOWER : 0.25 MAX.  
 カット面にバリ無きこと。  
 CUTTING AREA MUST BE FREE OF BURRS.
- 使用材料  
MATERIALS  
 ウェハり : PBT,UL94HB(BLACK)  
 WAFER  
 ピン : リン青銅 (t=0.2)  
 PIN : PHOSPHOR BRONZE
- メッキ仕様  
PLATING SPEC.  
 ピン : 金メッキ (コンタクト部)  
 PIN : Au PLATED (CONTACT AREA)  
 ピン : 錫メッキ (ソルダーテール部)  
 PIN : TIN-PLATED PLATING (SOLDER TAIL AREA)
- 本製品は55323-\*\*-\*\*11の鉛フリー品である。  
THIS PRODUCT IS LEAD FREE OF 55323-\*\*-\*\*11.



55323-1519	15
製品番号	極数
MATERIAL NO.	CKT

DO NOT SCALE DRAWING

EC NO. DRWN: CHK: APPR:	EC NO. DRWN: CHK: APPR:	EC NO. DRWN: CHK: APPR:	EC NO. DRWN: CHK: APPR:	RELEASED EC NO. J2004-3153 DRWN: Y.WADA '04/03/17 CHK: M.SASAO '04/03/17 APPR: M.SASAO '04/03/17	MATERIAL 材料 注記参照 SEE NOTES	GENERAL TOLERANCES: (UNLESS SPECIFIED) 一般公差	SCALE #	MODEL NO. DESIGN UNITS <input checked="" type="checkbox"/> mm <input type="checkbox"/> INCH	55323-**-19 THIRD ANGLE PROJECTION <input checked="" type="checkbox"/> mm <input type="checkbox"/> INCH <input type="checkbox"/> mm ONLY	DIMENSIONS: <input type="checkbox"/> mm <input type="checkbox"/> INCH	SHT REV
				FINISH 仕上げ 注記参照 SEE NOTES	10 UNDER 未満 ±0.2 10 OVER 以上 30 UNDER 未満 ±0.25 30 OVER 以上 ±0.3	DRAWN BY & DATE Y.WADA '04/03/17	DRAWN BY & DATE Y.WADA '04/03/17	TITLE: I.0 B/FPC CONN. WAFER ASS'Y (PANEL DETACHABLE TYPE) -LEAD FREE-			
				WIRE RANGE 適用電線範囲 //	ANGLE 角度 *3°	APPROVED BY & DATE M.SASAO '04/03/17	APPROVED BY & DATE M.SASAO '04/03/17	MOLEX MOLEX INCORPORATED			
				INS. RANGE 被覆外径 //		CAD FILENAME SD-55323-006.S01	MATERIAL NO. SEE CHART	DRAWING NO. SD-55323-006	SHEET NO. 1 OF 3		
THIS DRAWING CONTAINS INFORMATION THAT IS PROPRIETARY TO MOLEX INCORPORATED AND SHOULD NOT BE USED WITHOUT WRITTEN PERMISSION.										SIZE B	

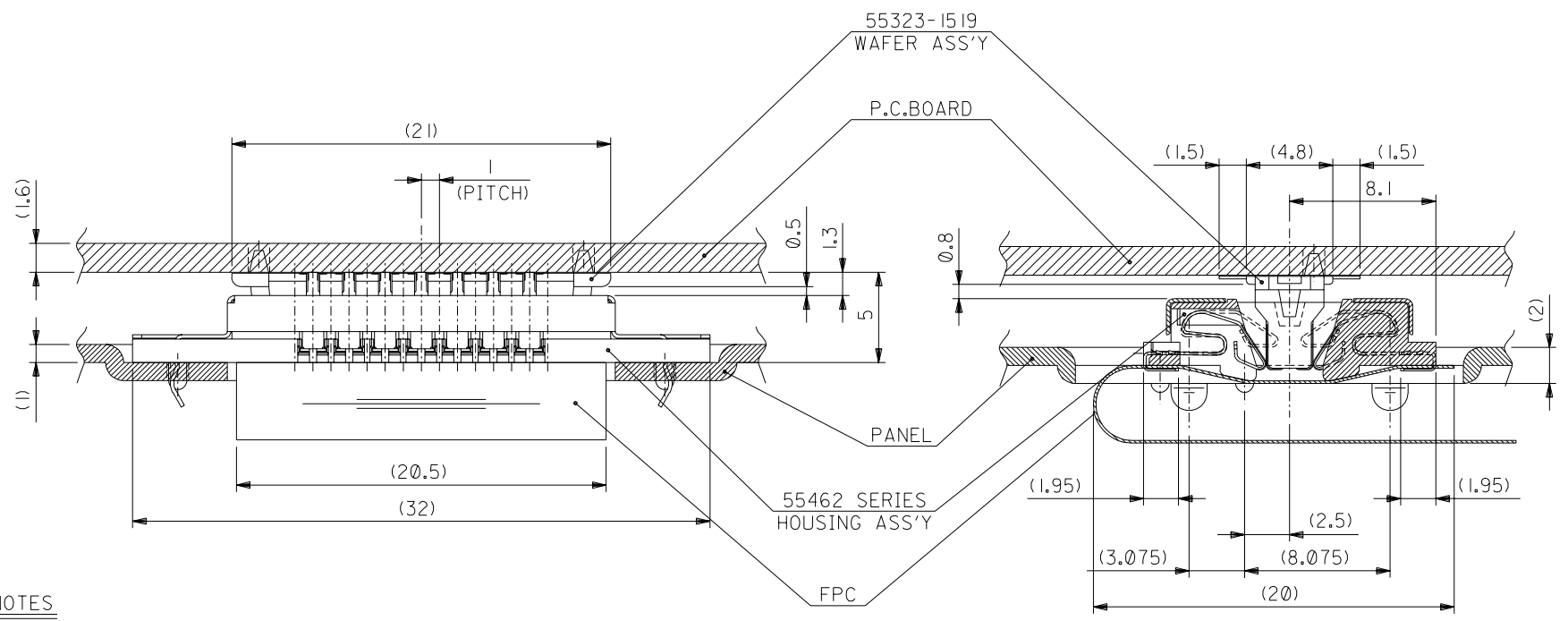


参考基板レイアウト (t=1.6)  
P.C.BOARD PATTERN LAYOUT (REFERENCE)  
 (マウント面)  
 (MOUNTING SIDE)

DO NOT SCALE DRAWING

EC NO. DRWN: CHK: APPR:		EC NO. DRWN: CHK: APPR:		EC NO. DRWN: CHK: APPR:		EC NO. DRWN: CHK: APPR:		EC NO. DRWN: CHK: APPR:		EC NO. J2004-3153 DRWN: Y.WADA '04/03/17 CHK: M.SASAO '04/03/17 APPR: M.SASAO '04/03/17 RELEASED		MATERIAL 材料 SHEET 1 OF 3 参照 REFER TO SHEET 1 OF 3		GENERAL TOLERANCES: (UNLESS SPECIFIED) 一般公差 10 UNDER 未満 ±0.2 10 OVER 30 UNDER 未満 ±0.25 30 OVER 以上 ±0.3		SCALE 1/1 DESIGN UNITS <input checked="" type="checkbox"/> mm <input type="checkbox"/> INCH		MODEL NO. 55323-***19 THIRD ANGLE PROJECTION <input checked="" type="checkbox"/> mm <input type="checkbox"/> INCH <input checked="" type="checkbox"/> mm ONLY		DIMENSIONS: SHT 15 REV 15 REVISIONS ON CAD ONLY	
SHEET 1 OF 3 参照 REFER TO SHEET 1 OF 3										TITLE: 1.0 B/FPC CONN. WAFER ASS'Y (PANEL DETACHABLE TYPE) -LEAD FREE-											
WIRE RANGE 適用 覆線範囲 // //										MOLEX INCORPORATED											
INS. RANGE 被覆 外径 // //										CAD FILENAME SD-55323-006.S02		MATERIAL NO. SEE CHART		DRAWING NO. SD-55323-006		SHEET NO. 2 OF 3		SIZE B			
THIS DRAWING CONTAINS INFORMATION THAT IS PROPRIETARY TO MOLEX INCORPORATED AND SHOULD NOT BE USED WITHOUT WRITTEN PERMISSION.												EN-02J(097) MXJ-54									

DWG. NO. SD-55323-006



注記 NOTES

1. 嵌合時のズレ吸収量  
THE ALLOWABLE TOLERANCE RANGE OF MISALIGNMENT WHEN MATED.

嵌合方向 MATING DIRECTION	最浅嵌合時 (MIN.) -0.5	ノミナル嵌合時 (NOM.) 0	最深嵌合時 (MAX.) +0.4
ピッチ方向 PITCH DIRECTION	±0.26	±0.21	±0.17
ピッチと直角方向 A RIGHT ANGLE PITCH DIRECTION	±0.4	±0.28	±0.19

嵌合状態図  
MATING FIGURE

55323-1519	15
製品番号 MATERIAL NO.	極数 CKT

DO NOT SCALE DRAWING

EC NO. DRWN: CHK: APPR:	EC NO. DRWN: CHK: APPR:	EC NO. DRWN: CHK: APPR:	EC NO. DRWN: CHK: APPR:	EC NO. DRWN: CHK: APPR:	RELEASED EC NO. J2004-3153 DRWN: Y.WADA '04/03/17 CHK: M.SASAO '04/03/17 APPR: M.SASAO '04/03/17	MATERIAL 材料 SHEET 1 OF 3 参照 REFER TO SHEET 1 OF 3	GENERAL TOLERANCES: (UNLESS SPECIFIED) 一般公差	SCALE #	MODEL NO. DESIGN UNITS <input checked="" type="checkbox"/> mm <input type="checkbox"/> INCH	55323-***19	DIMENSIONS: <input type="checkbox"/> mm <input type="checkbox"/> INCH <input checked="" type="checkbox"/> mm ONLY	SHT REV
					DESCRIPTION SHEET 1 OF 3 参照 REFER TO SHEET 1 OF 3	FINISH 仕上げ SHEET 1 OF 3 参照 REFER TO SHEET 1 OF 3	10 UNDER 未満 ±0.2	DRAWN BY & DATE Y.WADA '04/03/17	<input checked="" type="checkbox"/> mm <input type="checkbox"/> INCH	TITLE: 1.0 B/FPC CONN. WAFER ASS'Y (PANEL DETACHABLE TYPE) -LEAD FREE-		REVISE ON CAD ONLY
					WIRE RANGE 適用電線範囲	ANGLE 角度	10 OVER 以上 ±0.25	CHECKED BY & DATE M.SASAO '04/03/17	<input type="checkbox"/> mm <input type="checkbox"/> INCH			
					INS. RANGE 被覆外径		30 OVER 以上 ±0.3	APPROVED BY & DATE M.SASAO '04/03/17	<input type="checkbox"/> mm <input type="checkbox"/> INCH			
								CAD FILENAME SD-55323-006.S03	<input checked="" type="checkbox"/> mm <input type="checkbox"/> INCH	MATERIAL NO. SEE CHART	DRAWING NO. SD-55323-006	SHEET NO. 3 OF 3
								THIS DRAWING CONTAINS INFORMATION THAT IS PROPRIETARY TO MOLEX INCORPORATED AND SHOULD NOT BE USED WITHOUT WRITTEN PERMISSION.			SIZE B	