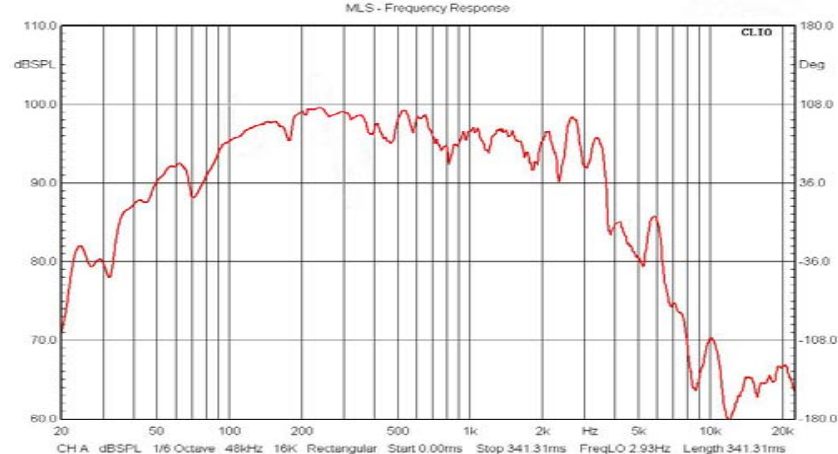
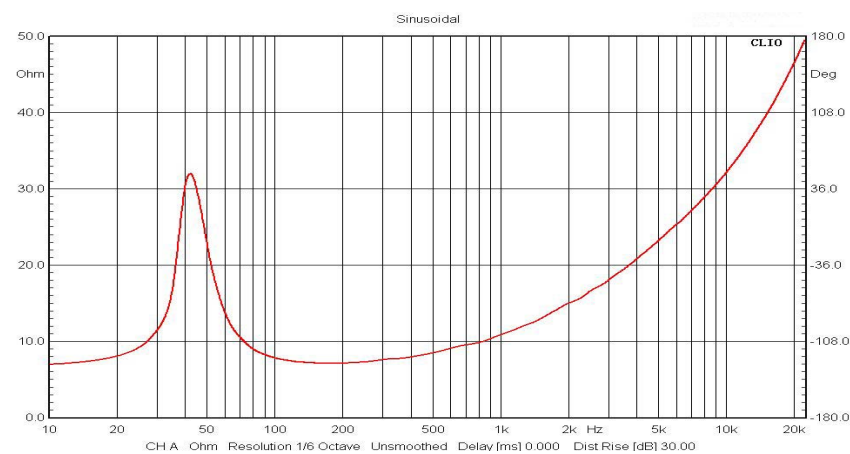


# MCM AUDIO SELECT™

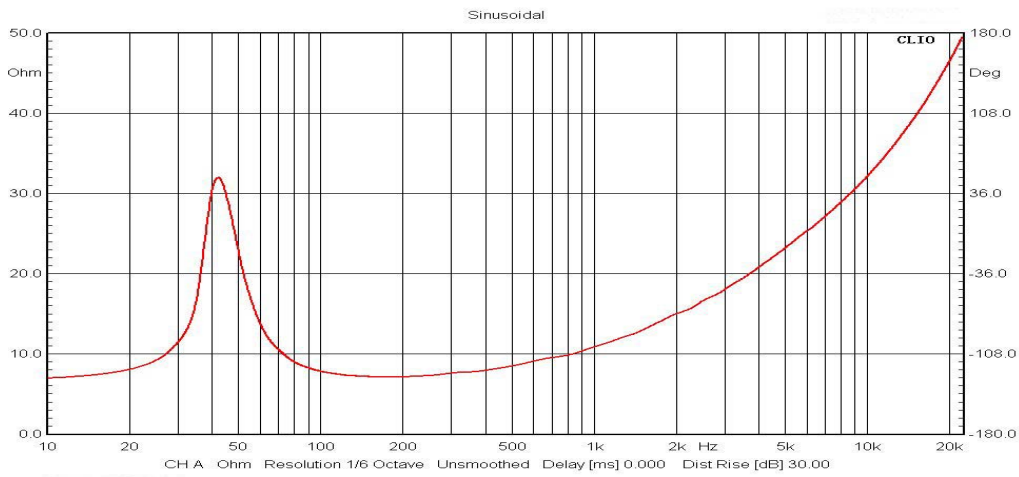
## SPEAKER SPECIFICATIONS

<b>Model Number:</b>	<b>55-2973</b>	
<b>GENERAL SPECIFICATIONS</b>		
Nominal Diameter:	12 inch	
Rated Impedance:	8 ohms	
Operating Bandwidth:	50-4k hz (-3dB)	
Power Handling Capacity:	120 Watts	
Sensitivity (1W/M):	91 dB(+/-3dB)	
Voice Coil Diameter:	1.5 inch	
<b>THIELE-SMALL PARAMETERS</b>		
Resonance Frequency	Fs:	42 HZ
DC Resistance	Re:	7.2 ohm
Mechanical Q Factor	Qms:	3.24
Electrical Q Factor	Qes:	0.5654
Total Q Factor	Qts:	0.4772
Equivalent Cas air load	Vas:	122.6 L
Surface Area of Cone	Sd:	0.0531 m <sup>2</sup>
Efficiency Bandwidth Product	EBP	74
Voice Coil Over Hang	X-max	5 mm
Voice Coil Inductance	Le	0.9099mH
<b>PHYSICAL INFORMATION</b>		
Basket:	Pressed steel chassis	
Magnet Type:	30 OZ	
Cone Material:	PP	
Surround:	Rubber	
Dust Cap:	PP	
Damper:	cloth	

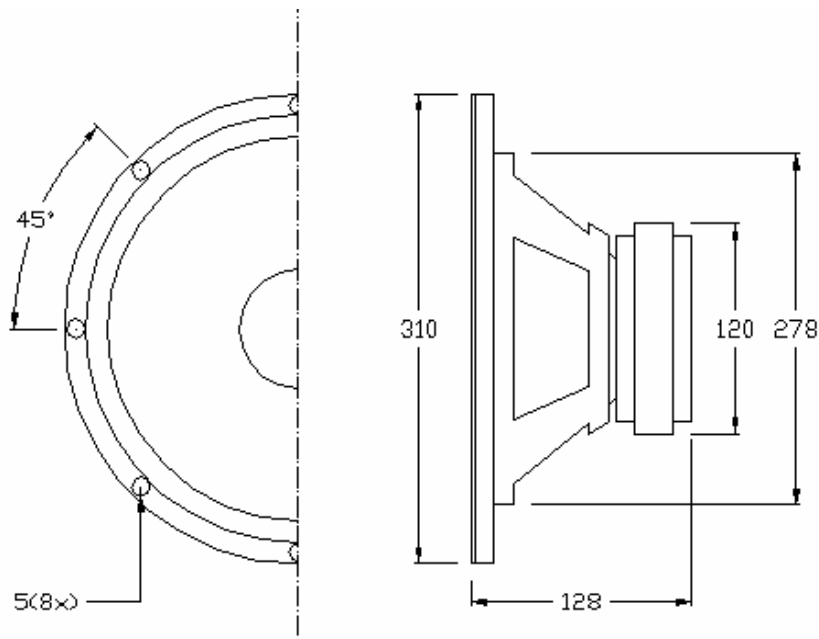
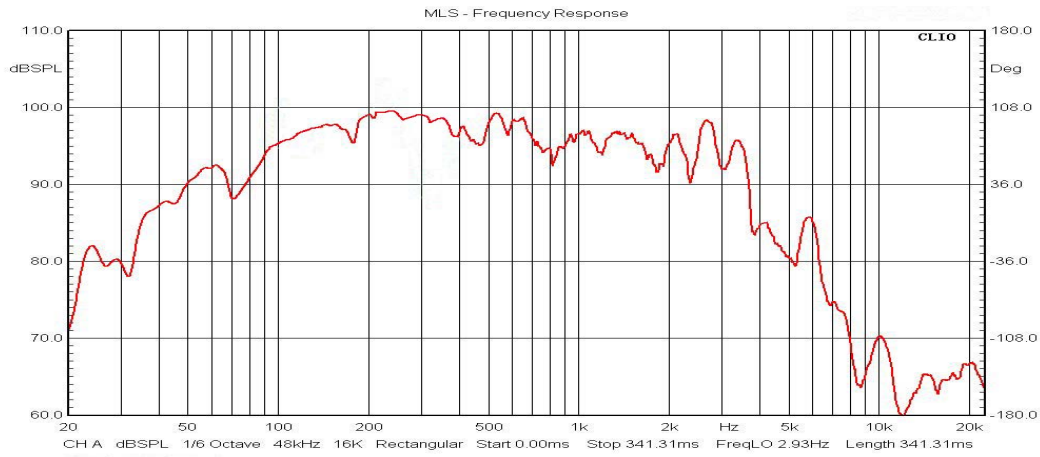


Date: 2010/6/28

## Impedance Curve



## Response Curve



55-2973