

5-520263-2 ✓ ACTIVE

Ultra-Fast | Ultra-Fast 250

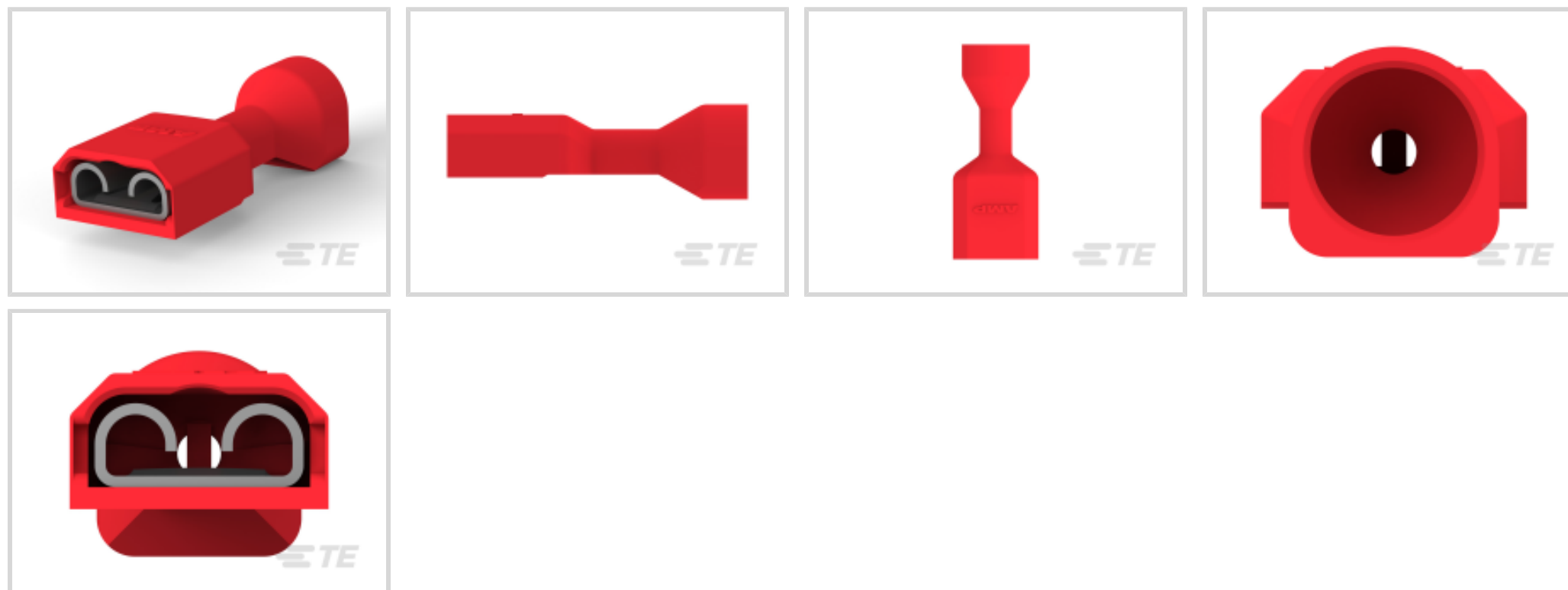
TE Internal #: 5-520263-2

Ultra-Fast 250, Quick Disconnects, Receptacle, 22 – 18AWG Wire Size, .32 – .82mm<sup>2</sup> Wire Size, Quick Disconnect Mating Tab Width .25 in [6.35 mm]

[View on TE.com >](#)



Terminals & Splices > Quick Disconnects



Terminal & Splice Type: **Receptacle**

Wire Size: .32 – .82 mm<sup>2</sup>

Quick Disconnect Mating Tab Width: 6.35 mm [ .25 in ]

Quick Disconnect Mating Tab Thickness: .81 mm [ .032 in ]

## Features

### Product Type Features

Wire/Cable Type	Regular Wire
Wire Stop	Yes
Terminates To	Wire & Cable
Quick Disconnect Insertion Force	Normal
Sealable	No
Insulated	No

### Configuration Features

Connection Capacity	Single
---------------------	--------

### Electrical Characteristics

Voltage (Max)	600 V
---------------	-------

### Body Features

Insulation Material	Nylon
Fully Insulated	No
Quick Disconnect Plating Material	Tin



### Contact Features

Terminal Type	Receptacle
Terminal & Splice Type	Receptacle
Quick Disconnect Terminal Orientation	Straight
Contact Base Material	Brass
Crimp Type	F-Crimp
Barrel Type	Closed

### Mechanical Attachment

Mating Retention Type	Dimple
Wire Insulation Support	With

### Dimensions

Accepts Wire Insulation Diameter Range	5.84 mm[.23 in]
Overall Length	23.7 mm[.935 in]
Receptacle Terminal Stock Thickness	.41 mm[.016 in]
Wire Size	.32 – .82 mm <sup>2</sup>
Quick Disconnect Mating Tab Width	6.35 mm[.25 in]
Quick Disconnect Mating Tab Thickness	.81 mm[.032 in]

### Usage Conditions

Insulation Requirement	Uninsulated
Operating Temperature Range	-40 – 110 °C[-40 – 230 °F]

### Industry Standards

UL Flammability Rating	UL 94V-2
UL Rating	Listed

### Packaging Features

Packaging Quantity	2000
Quick Disconnect Packaging Method	Strip/Reel

### Other

Line	FASTON .250
------	-------------

### Product Compliance

[For compliance documentation, visit the product page on TE.com>](#)

EU RoHS Directive 2011/65/EU	Compliant
------------------------------	-----------

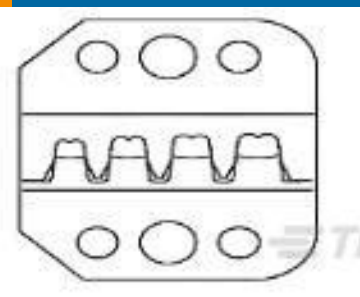


EU ELV Directive 2000/53/EC	Compliant
China RoHS 2 Directive MIIT Order No 32, 2016	No Restricted Materials Above Threshold
EU REACH Regulation (EC) No. 1907/2006	Current ECHA Candidate List: JUL 2021 (219) Candidate List Declared Against: JAN 2021 (211) SVHC > Threshold: Not Yet Reviewed
Halogen Content	Low Halogen - Br, Cl, F, I < 900 ppm per homogenous material. Also BFR/CFR/PVC Free
Solder Process Capability	Not applicable for solder process capability

Product Compliance Disclaimer

This information is provided based on reasonable inquiry of our suppliers and represents our current actual knowledge based on the information they provided. This information is subject to change. The part numbers that TE has identified as EU RoHS compliant have a maximum concentration of 0.1% by weight in homogenous materials for lead, hexavalent chromium, mercury, PBB, PBDE, DBP, BBP, DEHP, DIBP, and 0.01% for cadmium, or qualify for an exemption to these limits as defined in the Annexes of Directive 2011/65/EU (RoHS2). Finished electrical and electronic equipment products will be CE marked as required by Directive 2011/65/EU. Components may not be CE marked. Additionally, the part numbers that TE has identified as EU ELV compliant have a maximum concentration of 0.1% by weight in homogenous materials for lead, hexavalent chromium, and mercury, and 0.01% for cadmium, or qualify for an exemption to these limits as defined in the Annexes of Directive 2000/53/EC (ELV). Regarding the REACH Regulation, the information TE provides on SVHC in articles for this part number is based on the latest European Chemicals Agency (ECHA) 'Guidance on requirements for substances in articles' posted at this URL: <https://echa.europa.eu/guidance-documents/guidance-on-reach>

## Compatible Parts



TE Part # 58628-2  
PROCIMP DIESET 26-14 ULTRAFAST



TE Part # 58628-1  
PROCIMP T&D 26-14 ULTRAFAST



TE Part # 90390-3  
DIES ULTRA-FAST FASTON 22-18 DIE SET



TE Part # 2151034-2  
OCEAN\_2.0\_APPLICATOR-S-1760



TE Part # 2-2151034-2  
OCEAN\_2.0\_APPLICATOR-S-1760



TE Part # 7-2151034-2  
OCEAN\_2.0\_APPLICATOR-S-1760



KIT  
REPRESENTATION ONLY

TE Part # 7-2151034-7  
OCEAN\_2.0\_SPARE\_PART\_KIT-1760

Also in the Series | **Ultra-Fast 250**

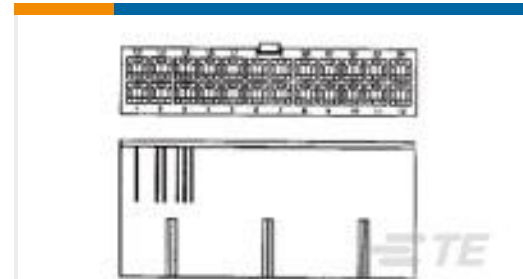


Quick Disconnects(49)

## Customers Also Bought



TE Part #177920-1  
POWER DBL LOCK PLATE 4P



TE Part #1586000-6  
6P FH PLUG VAL-U-LOK V2



TE Part #2-520102-1  
ULTRA-FAST 250 ASSEMBLY TAB 22-18 AWG BR



TE Part #794222-1  
MINI UMNL2 PIN 20-16AWG SN



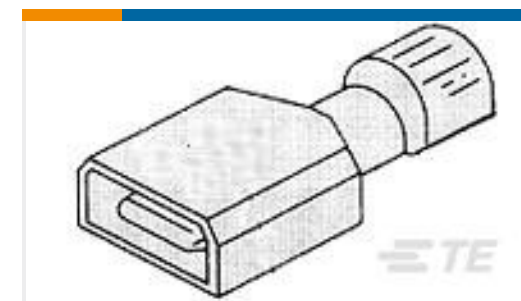
TE Part #640052-1  
RING 18-14 AWG SST



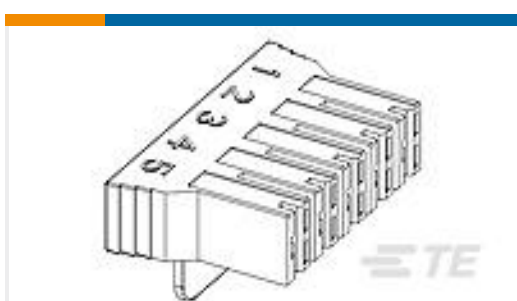
TE Part #350015-2  
.093 PIN RECPT 22-18 PTPPHBRZ



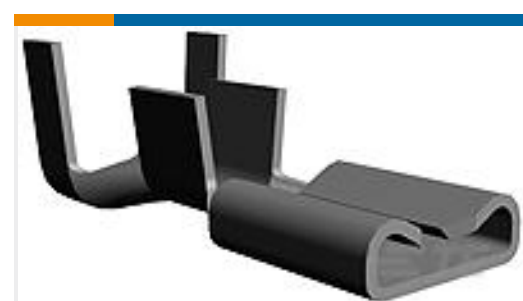
TE Part #2-520262-2  
ULTRAFast 187 ASSY REC 22-18 TPBR LP



TE Part #2-521192-2  
ULTRA-FAST 250 ASY REC 22-18 TPBR



TE Part #521780-1  
250 HSG. PL MKIII REC. 7.11mm 5P NAT



TE Part #42692-2  
FASTON 250 RECEPTACLE 18-14 AWG TPBR

## Documents

### Product Drawings

[ULTRA-FAST 250 ASY REC 22-18 AWG TPBR](#)

English

### CAD Files

[3D PDF](#)

[3D](#)

### Customer View Model

[ENG\\_CVM\\_CVM\\_5-520263-2\\_N.2d\\_dxf.zip](#)



English

**Customer View Model**

[ENG\\_CVM\\_CVM\\_5-520263-2\\_N.3d\\_igs.zip](#)

English

**Customer View Model**

[ENG\\_CVM\\_CVM\\_5-520263-2\\_N.3d\\_stp.zip](#)

English

By downloading the CAD file I accept and agree to the [Terms and Conditions](#) of use.

---

**Product Specifications**

[Application Specification](#)

English

---

**Agency Approvals**

[Agency Approval Document](#)

English