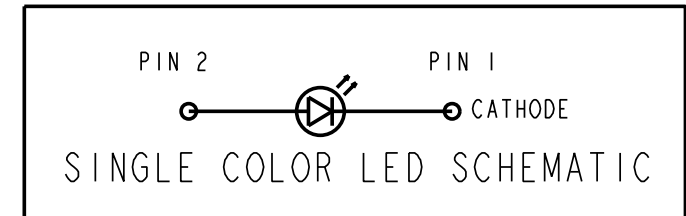
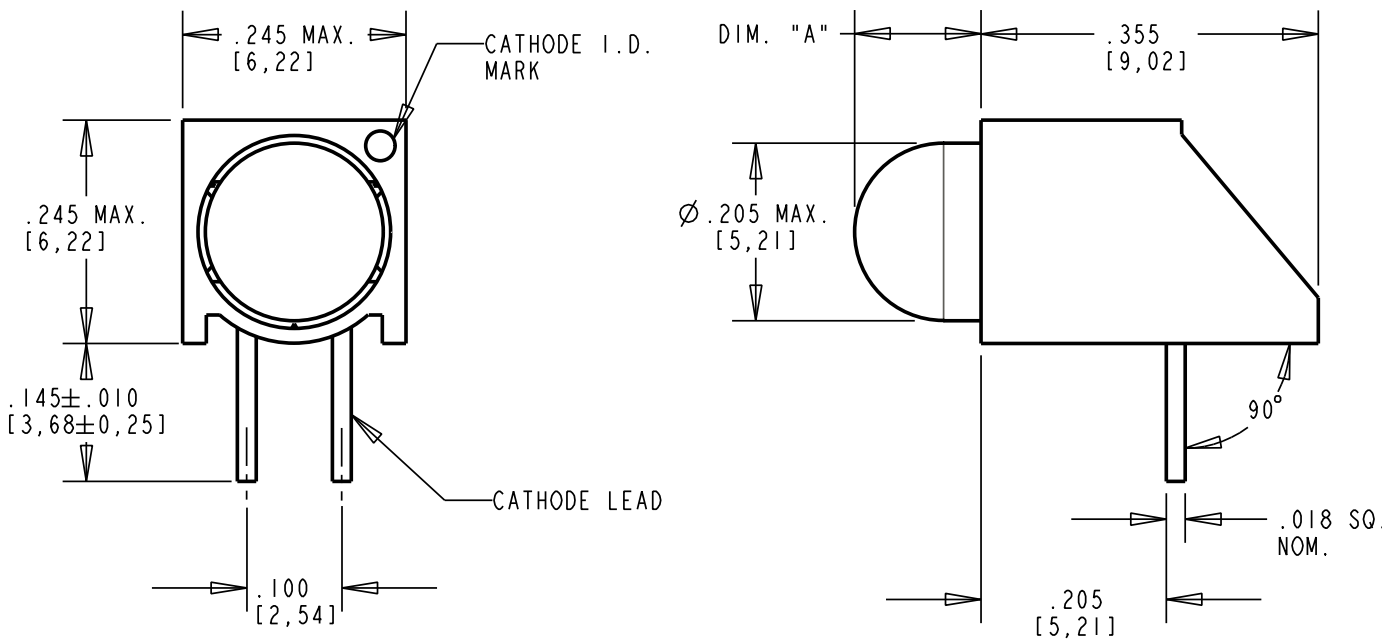


ASSEMBLY NUMBER	LENS COLOR	DIM. "A"
550-1107F	RED DIFFUSED	.197
550-1207F	YELLOW DIFFUSED	.197
550-1307F	GREEN DIFFUSED	.197

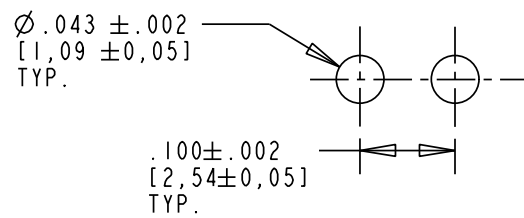
OPERATING CHARACTERISTICS AT T _a = 25°C						
LED CHARACTERISTICS		RED	YELLOW	GREEN	UNITS	TEST CONDITIONS
LUMINOUS INTENSITY	MIN.	1.5	1.2	1.2	mcd	I _F = 2 mA
	TYP.	2.3	1.8	1.8		
	MAX	4.2				
PEAK WAVELENGTH	TYP.	635	583	565	nm	I _F = 7 mA
DOMINANT WAVELENGTH	MIN.	620				
	TYP.	626				
	MAX.	633				
FORWARD VOLTAGE	TYP.	2.1	1.9	1.8	V	I _F = 2 mA
	MAX.	2.8	2.7	2.2		
VIEWING ANGLE (2 θ 1/2)	TYP.	50	50	50	DEG	

REV.	ECN NO.	REVISIONS	DRN.	CKD.	APP.	DATE
A	—	NEW RELEASE	TWC			



NOTES:

- LAMP MUST BE SEATED ALL THE WAY DOWN INTO HOUSING. BENDS MUST BE TIGHT, NO LONGITUDINAL TRAVEL ALONG AXIS ALLOWED.
- LEADS TO BE FREE OF DEFORMATION AFTER BENDING AND CUTTING.
- LED LEAD DIMENSIONS SHOWN ARE MEASURED AT HOUSING EXIT.
- THIS ASSEMBLY CONTAINS ELECTROSTATIC DISCHARGE SENSITIVE DEVICES(ESDS). MAINTAIN ALL PRECAUTIONARY MEASURES DURING ASSEMBLY, HANDLING AND STORAGE IN ACCORDANCE WITH IPC-A-610.
- DIALIGHT PART NUMBER: 550-1107F, -1207F, -1307F



RECOMMENDED PC BOARD HOLE PATTERN

RoHS Compliant 550-1X07F Thru hole CBI

Part Numbers with the "F" suffix ending are RoHS Compliant.
Example: 550-1107F
The bag packaging is marked with "RoHS Compliant" label or equivalent markings.
Parts can be wave soldered, dip soldered or hand soldered using typical lead-free soldering process with max 260°C temp. for 5 sec.

ABSOLUTE MAXIMUM RATINGS AT T_a = 25°C

PARAMETER	LED COLOR			UNITS
	RED	YELLOW	GREEN	
POWER DISSIPATION	24	36	24	mW
DC AND PEAK FORWARD CURRENT	7	7	7	mA
TRANSIENT FORWARD CURRENT (10 mSEC PULSE)	500	500	500	mA
DERATING LINEARLY FROM 92°C	1.0	1.0	1.0	mA/°C
REVERSE VOLTAGE (I _r = 50µA)	5			V
SOLDERING TEMPERATURE (.063 IN. FROM BODY)	260°C FOR 5 SEC.			°C
OPERATING TEMPERATURE	-55 TO +100			°C
STORAGE TEMPERATURE	-55 TO +100			°C



ATTENTION:
OBSERVE PRECAUTIONS FOR
HANDLING ELECTROSTATIC
SENSITIVE DEVICES

THIS DRAWING AND THE CONTENTS HEREIN ARE CONFIDENTIAL AND THE SOLE PROPERTY OF DIALIGHT. REPRODUCTION OF THIS DRAWING OR CONSTRUCTION OF ANY PARTS WITHIN THIS DRAWING ARE FORBIDDEN WITHOUT THE WRITTEN CONSENT OF DIALIGHT.		
SCALE: 5.000	DRAWING NUMBER	REV
ALL DIM'S IN: INCHES (MM)	C-17400	A
TOLERANCES: UNLESS OTHERWISE SPECIFIED	TITLE 5mm LED SLOPED BACK RoHS COMPLIANT	
FRACTIONS: ±1/64	MATERIAL	
DECIMALS (.XX): ±.01	FINISH:	
DECIMALS (.XXX): ±.005	Dialight	
DECIMALS (.XXXX): ±.0005	1501 ROUTE 34 SOUTH FARMINGDALE, NJ 07727	
ANGLES: ±1°	FSCM 83330	SHEET 1 OF 1 FAMILY TABLE: