

PLEASE CHECK WWW.MOLEX.COM FOR LATEST PART INFORMATION

Part Number: [0549320000](#)
Status: **Active**
Overview: MTC™ (Multi-Terminal Connector)
Description: MTC™ Plastic Lever, For Spring Type Receptacle

Documents:

[3D Model](#) [RoHS Certificate of Compliance \(PDF\)](#)
[Drawing \(PDF\)](#)

General

| | |
|----------------|--|
| Product Family | Accessories |
| Series | 54932 |
| Component Type | Actuator |
| Overview | <u>MTC™ (Multi-Terminal Connector)</u> |
| Product Name | MTC™ |
| UPC | 800756174662 |

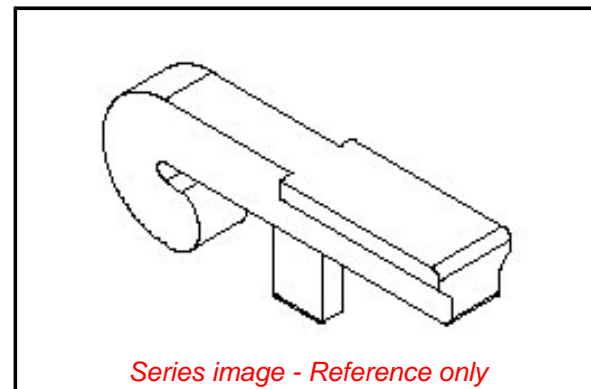
Physical

| | |
|-------------------|------------|
| Circuits (Loaded) | N/A |
| Color - Resin | Ivory |
| Material - Resin | Nylon |
| Net Weight | 309.100/mg |
| Packaging Type | Bag |

Material Info

Reference - Drawing Numbers

| | |
|-----------------------|---|
| Product Specification | RPS-51241-005, RPS-51241-006, RPS-51241-007 |
| Sales Drawing | SD-54932-003 |



EU ELV

Not Relevant

EU RoHS

Compliant

REACH SVHC

Not Contained Per
-ED/79/2015 (17
December 2015)

Halogen-Free

Status

Low-Halogen

Need more information on product environmental compliance?

Email productcompliance@molex.com
Please visit the [Contact Us](#) section for any non-product compliance questions.

China ROHS
ELV

Green Image
Not Relevant

Search Parts in this Series

[54932 Series](#)

Use With

[54927](#) , [54928](#)

PLEASE CHECK WWW.MOLEX.COM FOR LATEST PART INFORMATION