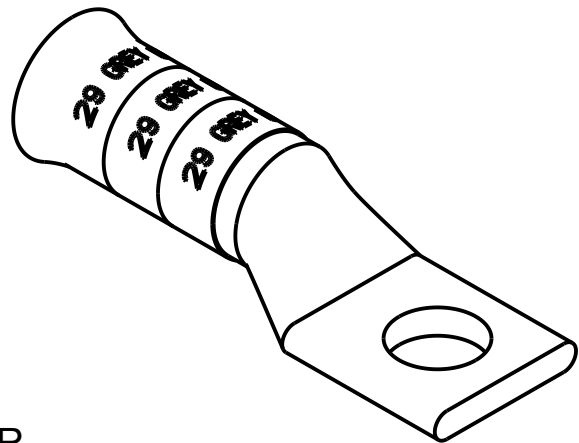
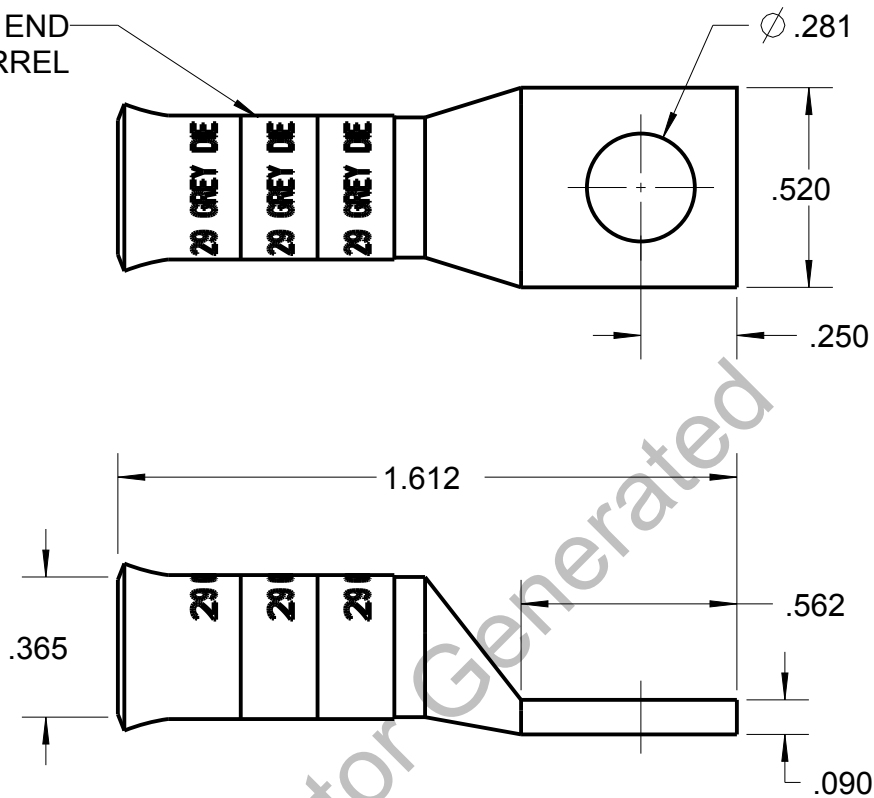


# Blackburn Compression

Featuring the Color-Keyed® System

CATALOG NO. 54906BEBS

LONG BELLED END  
BARREL



WIRE SIZE: # 4 AWG  
MATERIAL: HIGH CONDUCTIVITY COPPER  
FINISH: TIN PLATED

#### GENERAL NOTES

1. ALL DIMENSIONS ARE FOR REFERENCE ONLY.
2. DIMENSIONS IN BRACKETS [ ] ARE IN METRIC UNITS.

#### REVISIONS

\*\* SEE ERN (\*\*\*\*)  
FOR APPROVAL SIGNATURES  
& RELEASE DATE.  
PROJECT NO: \*\*\*\*

**Thomas & Betts**  
www.tnb.com

DESCRIPTION:

1 HOLE LUG

ORIGINAL PROJECT NO / (ERN NO)

/ ( )

SHEET NO:

1 OF 1

REV. NO:

0

DRAWING NO: WSD-002896

54906BEBS