

Color-Keyed®

Connectors for all Copper Cables



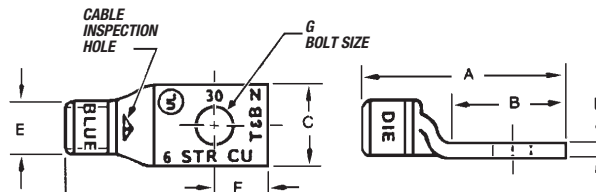
One-Hole Lugs — Standard Barrel for 600V to 35 kV Applications

Material: High Conductivity Wrought Copper
Finish: Electro Tin Plate

Wire Size*		Cat. No.	Bolt Size G	Dimensions (in.)						Die Code	Colour Key
Code	Flex			A	B	C	D	E	F		
#8	#8 Str.	54104	10	1-13/64	61/64	13/32	5/64	17/64	7/32	21	Red
	23 Navy	54130	1/4	1-15/64	37/64	29/64	1/16	17/64	1/4	21	Red
	#8 Weld 37/24	54131	5/16	1-23/64	39/64	9/16	3/64	17/64	9/32	21	Red
	.180	54132	3/8	1-23/64	39/64	9/16	3/64	17/64	9/32	21	Red
#6	#6 Str.	54134	10	1-17/64	1/2	7/16	1/16	5/16	15/64	24	Blue
	#30 Navy	54105	1/4	1-17/64	1/2	7/16	1/16	5/16	15/64	24	Blue
	#6 Weld 61/24	54135	5/16	1-7/16	5/8	39/64	1/16	5/16	19/64	24	Blue
	133/.014 .227	54136	3/8	1-7/16	5/8	39/64	1/16	5/16	19/64	24	Blue
#4	#4 Str.	54138	10	1-13/32	9/16	35/64	3/32	3/8	1/4	29	Grey
	40-50 Navy	54106	1/4	1-13/32	9/16	35/64	3/32	3/8	1/4	29	Grey
	91/24	54139	5/16	1-29/64	5/8	39/64	5/64	3/8	5/16	29	Grey
	133/.0177 49/.026 .265	54140	3/8	1-29/64	5/8	39/64	5/64	3/8	5/16	29	Grey
#2	#2 Str.	54107	1/4	1-39/64	17/32	19/32	7/64	13/32	1/4	33	Brown
	60 Navy	54142-TB	5/16	1-11/16	43/64	43/64	7/64	13/32	11/32	33	Brown
	125/24	54143-TB	3/8	1-63/64	25/32	43/64	7/64	13/32	3/8	33	Brown
	#4 Weld .300	54145-TB	1/2	1-19/32	1-3/64	3/4	1/16	13/32	3/8	33	Brown
#1	#1 Str.	54108	1/4	1-23/32	19/32	11/16	7/64	15/32	1/4	37	Green
	75 Navy	54147	5/16	1-13/16	11/16	11/16	7/64	15/32	11/32	37	Green
	#2 Weld 150/24	54148	3/8	2-1/32	25/32	11/16	7/64	15/32	3/8	37	Green
	175/24 133/.0223 .360	54150	1/2	1-43/64	1-1/32	3/4	7/64	15/32	1/2	37	Green
1/0	1/0 AWG	54152-TB	1/4	1-43/64	11/16	3/4	1/8	33/64	11/32	42	Pink
	100 Navy	54153-TB	5/16	1-43/64	11/16	3/4	1/8	33/64	11/32	42	Pink
	#1 Weld 225/24	54109	3/8	1-49/64	25/32	3/4	1/8	33/64	3/8	42	Pink
	133/.0254 .389 Min.	54155-TB	1/2	2-1/64	1-1/32	3/4	1/8	33/64	1/2	42	Pink

Can be used for 600V to 35kV applications provided proper insulation techniques are used.
U.L. and C.S.A. listing of T&B connectors is a continual process; please call your Regional Sales Office for the latest listings.
Many tongue sizes are available undrilled; please call your Regional Sales Office for availability.
*Call your Regional Sales Office for sizes not listed.

For tool and die selection see page 40.



Color-Keyed® Connectors for all Copper Cables



One-Hole Lugs—Standard Barrel for 600V to 35 kV Applications (continued)

Material: High Conductivity Wrought Copper
Finish: Electro Tin Plate

Wire Size*		Cat. No.	Bolt Size G	Dimensions (in.)						Die Code	Colour Key
Code	Flex			A	B	C	D	E	F		
2/0	2/0 AWG	54157	1/4	1-7/8	3/4	13/16	1/8	37/64	11/32	45	Black
	125 Navy	54158	5/16	1-7/8	3/4	13/16	1/8	37/64	11/32	45	Black
	1/0 Weld	54110	3/8	1-59/64	25/32	13/16	1/8	37/64	3/8	45	Black
	275/24 427/.0155 133/.0282 .438 Min.	54160	1/2	2-3/16	1-1/32	13/16	1/8	37/64	1/2	45	Black
3/0	3/0 AWG	54162-TB	1/4	2	3/4	15/16	1/8	41/64	11/32	50	Orange
	150 Navy	54163-TB	5/16	2	3/4	15/16	1/8	41/64	11/32	50	Orange
	2/0 Weld	54111	3/8	2-5/16	25/32	15/16	1/8	41/64	3/8	50	Orange
	325/24 133/.0316 259/.0227 427/.0177 .500 Min.	54165-TB	1/2	2-5/32	1-1/32	15/16	1/8	41/64	1/2	50	Orange
4/0	4/0 AWG	54167	1/4	2-5/32	3/4	1-1/32	9/64	45/64	11/32	54	Purple
	200 Navy	54168	5/16	2-5/32	3/4	1-1/32	9/64	45/64	11/32	54	Purple
	3/0 Weld	54112	3/8	2-5/32	3/4	1-1/32	9/64	45/64	3/8	54	Purple
	450/24 703/.0154 .560	54170	1/2	2-29/64	1-1/32	1-1/32	9/64	45/64	1/2	54	Purple
250 kcmil	250 kcmil	54172-TB	1/4	2-25/64	7/8	1-7/64	9/64	49/64	11/32	62	Yellow
	250 Navy	54173	5/16	2-25/64	7/8	1-7/64	9/64	49/64	11/32	62	Yellow
	.629 Min.	54174	3/8	2-27/64	29/32	1-7/64	9/64	49/64	3/8	62	Yellow
		54113	1/2	2-17/32	1-1/32	1-7/64	9/64	49/64	1/2	62	Yellow
	4/0 Weld	58161	1/4	2-17/64	3/4	1-1/4	5/32	27/32	3/8	62	Yellow
	550/24	58162	5/16	2-23/64	27/32	1-1/4	5/32	27/32	3/8	62	Yellow
	133/.0399	58163	3/8	2-13/32	29/32	1-1/4	5/32	27/32	3/8	62	Yellow
	259/.0286	58165	1/2	2-47/64	1 7/32	1-1/4	5/32	27/32	1/2	62	Yellow
	637/.0183 .66 Min.	58166	5/8	3-1/16	1-35/64	1-1/4	5/32	27/32	5/8	62	Yellow
300 kcmil	300 kcmil	54178	5/16	2-21/64	7/8	1-1/4	5/32	27/32	3/8	66	White
	300 Navy	54179	3/8	2-3/8	15/16	1-1/4	5/32	27/32	3/8	66	White
	.660	54114	1/2	2-15/32	1-1/4	1-1/4	5/32	27/32	1/2	66	White
		54181	5/8	3-1/32	1-37/64	1-1/4	5/32	27/32	5/8	66	White
250 Weld	250 Weld	58168	1/2	2 21/32	1-3/16	1-3/8	13/64	15/16	9/16	66	White
650/24	259/.0311	703/.0189									
350 kcmil	350 Navy	54115	1/2	2-5/8	1-3/16	1-3/8	3/16	59/64	9/16	71	Red
	.719	54183	5/8	3-1/8	1-37/64	1-23/64	11/64	59/64	5/8	71	Red
300 Weld	300 Weld	58171	1/2	2-51/64	1-1/4	1-23/64	11/64	59/64	1/2	71	Red
775/24	259/.034	427/.0265									
889/.0183	.719										
400 kcmil	400 kcmil	54116	1/2	3-13/64	1-1/4	1-13/32	11/64	31/32	1/2	76	Blue
	400 Navy	54185	5/8	3-17/32	1-37/64	1-13/32	11/64	31/32	5/8	76	Blue

Can be used for 600V to 35kV applications provided proper insulation techniques are used.
U.L. and C.S.A. listing of T&B connectors is a continual process; please call your Regional Sales Office for the latest listings.
Many tongue sizes are available undrilled; please call your Regional Sales Office for availability.
*Call your Regional Sales Office for sizes not listed.

For tool and die selection see page 40.

CABLE
INSPECTION
HOLE

G
BOLT SIZE

COMPRESSION CONNECTORS

Color-Keyed®

Connectors for all Copper Cables



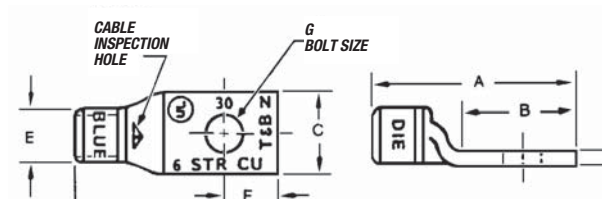
One-Hole Lugs — Standard Barrel for 600V to 35 kV Applications (continued)

Material: High Conductivity Wrought Copper
Finish: Electro Tin Plate

Wire Size*		Cat. No.	Bolt Size G	Dimensions (in.)						Die Code	Colour Key
Code	Flex			A	B	C	D	E	F		
	400 Weld 925/24, 373 259/.0393 427/.0306 .799	58177	1/2	3-9/32	1-15/64	1-39/64	1/4	1-3/64	1/2	80	N/A
500 kcmil	500 Navy .850	54118	1/2	3	1-5/16	1-5/8	7/32	1-5/64	9/16	87	Brown
		54187	5/8	3-37/64	1-37/64	1-39/64	7/32	1-7/64	5/8	87	Brown
	500 Weld 1100/24, 444 259/.0417 427/.0325 703/.0253	58180	5/8	3-23/32	1-37/64	1-3/4	1/4	1-13/64	5/8	94	Green
600 kcmil	.956	54120	5/8	3-23/32	1-37/64	1-3/4	1/4	1-13/64	5/8	94	Green
700 kcmil	.997	54122-TB	5/8	3-43/64	1-37/64	1-27/32	15/64	1-1/4	5/8	99	Pink
	1325/24 427/.0342 .968	58182	5/8	3-3/4	1-9/16	1-13/16	9/32	1-1/4	5/8	99	Pink
750 kcmil	1.060	54123-TB	5/8	3-53/64	1-9/16	1-15/16	17/64	1-21/64	5/8	106	Black
	1600/24 893/.027 888/.0265	58184	5/8	3-29/32	1-13/16	1-31/32	5/16	1-3/8	7/8	106	Black
800 kcmil	800 NAVY 1.109	54124-TB	5/8	3-31/32	1-37/64	2-1/64	17/64	1-3/8	5/8	107	Orange
900 kcmil	777 1925/24 1.187	54126	5/8	4-7/64	1-9/16	2-11/64	5/16	1-1/2	5/8	115	Yellow
1000 kcmil	1000 NAVY 1.253	54128	5/8	4-1/32	1-37/64	2-17/64	19/64	1-35/64	5/8	125	N/A

Can be used for 600V to 35kV applications provided proper insulation techniques are used.
U.L. and C.S.A. listing of T&B connectors is a continual process; please call your Regional Sales Office for the latest listings.
Many tongue sizes are available undrilled; please call your Regional Sales Office for availability.
*Call your Regional Sales Office for sizes not listed.

For tool and die selection see page 40.



Color-Keyed® Connectors for all Copper Cables



One-Hole Lugs—Long Barrel for 600V to 35 kV Applications

Material: High Conductivity Wrought Copper
Finish: Electro Tin Plate

Wire Size*		Cat. No.	Bolt Size G	Dimensions (in.)						Die Code	Colour Key
Code	Flex			A	B	C	D	E	F		
#8	#8	54929BE	#10	1-21/32	41/64	27/64	5/64	19/64	17/64	21	Red
	37/24	54930BE	1/4	1-21/32	41/64	27/64	5/64	19/64	1/4	21	Red
#6	#6	54904BE	#10	1-21/32	41/64	7/16	5/64	19/64	17/64	24	Blue
	61/24	54905BE	1/4	1-21/32	41/64	27/64	5/64	19/64	1/4	24	Blue
#4	#4	54908BE	#10	1-45/64	41/64	33/64	3/32	23/64	17/64	29	Grey
	91/24	54906BE	1/4	1-45/64	41/64	33/64	3/32	23/64	1/4	29	Grey
#2	125-24	54933BE	#10	2-1/32	55/64	37/64	7/64	13/32	17/64	33	Brown
#1	#2	54945BE	#10	1-55/64	9/16	43/64	7/64	15/32	17/64	37	Green
	150/24 175/24	54947BE	5/16	2-11/64	7/8	43/64	7/64	15/32	3/8	37	Green
1/0	225/24	54946BE	#10	1-59/64	39/64	3/4	1/8	33/64	17/64	42	Pink
		54949BE	5/16	2-7/32	59/64	3/4	1/8	33/64	3/8	42	Pink
		54909BE	3/8	2-7/32	59/64	3/4	1/8	33/64	3/8	42	Pink
		54950BE	1/2	2-35/64	1-15/64	3/4	1/8	33/64	1/2	42	Pink
2/0	1/0 275/24	54910BE	3/8	2-9/32	59/64	53/64	1/8	37/64	3/8	45	Black
		54951BE	1/2	2-19/32	1-15/64	53/64	1/8	37/64	1/2	45	Black
3/0	2/0 325/24	54965BE	1/2	2-45/64	1-1/4	59/64	1/8	5/8	1/2	50	Orange
4/0	3/0 450/24	54970BE	1/2	2-61/64	1-1/4	1-1/32	9/64	45/64	1/2	54	Purple
250 kcmil	4/0 550/24	54913BE	1/2	3-5/32	1-1/4	1-1/8	9/64	49/64	1/2	62	Yellow
300 kcmil		54914BE	1/2	3-29/64	1-1/4	1-1/2	5/32	27/32	1/2	66	White
350 kcmil	262 650/24	54915BE	1/2	3-19/32	1-7/32	1-23/64	11/64	15/16	1/2	71	Red
400 kcmil	775/24	54916BE	1/2	3-45/64	1-7/32	1-13/32	11/64	61/64	1/2	76	Blue
		54917BE	5/8	4-1/32	1-9/16	1-13/32	11/64	61/64	5/8	76	Blue
500 kcmil	350/373 925/24	54918BE	1/2	4-13/64	1-7/32	1-19/32	7/32	1-3/32	1/2	87	Brown
		54919BE	5/8	4-17/64	1-9/16	1-39/64	7/32	1-3/32	5/8	87	Brown
600 kcmil	1100/24	54921BE	1/2	4	1-15/16	1-3/4	1/4	1-13/64	1/2	94	Green
		54920BE	5/8	4-21/64	1-35/64	1-3/4	1/4	1-13/64	5/8	94	Green
750 kcmil	535/24 1325/24	54922BE	1/2	4-11/32	1-15/64	1-15/16	17/64	1-21/64	1/2	106	Black
		54923BE	5/8	4-43/64	1-35/64	1-15/16	17/64	1-21/64	5/8	106	Black
	1600/24	58984BE	5/8	4-19/32	1-1/2	1-31/32	19/64	1-3/8	3/4	106	Black
900 kcmil	750/777 1925/24	58926BE	5/8	5-11/64	1-35/64	2-11/64	5/16	1-1/2	5/8	115	Yellow
1000 kcmil		54928BE	5/8	5-11/64	1-35/64	2-17/64	19/64	1-35/64	5/8	125	N/A

Can be used for 600V to 35kV applications provided proper insulation techniques are used.

U.L. and C.S.A. listing of T&B connectors is a continual process;

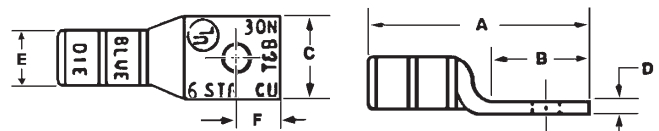
please call your Regional Sales Office for the latest listings.

Many tongue sizes are available undrilled;

please call your Regional Sales Office for availability.

*Call your Regional Sales Office for sizes not listed.

For tool and die selection see page 40.



Color-Keyed®

Connectors for All Copper Cables



Two Hole Lugs—45° Standard Barrel for 600V to 35 kV Applications

Material: High Conductivity Wrought Copper
Finish: Electro Tin Plate

Wire Size*		Cat. No.	Bolt Size G	Dimensions (in.)							Die Code	Colour Key
Code	Flex			A**	B	C	D	E	F	H		
#8	#8 37/24	54204UF	#10	1-17/32	1-1/16	13/32	5/64	1/4	7/32	5/8	21	Red
#6	#6 61/24	54205UF	1/4	1-13/16	1-3/16	7/16	7/64	9/32	1/4	5/8	24	Blue
#4	#4 91/24	54206UF	1/4	1-29/32	1-3/16	9/16	7/64	23/64	1/4	5/8	29	Grey
#2	125/24	54207UF	1/4	2	1-3/16	19/32	1/8	13/32	1/4	5/8	33	Brown
#1	#2 150/24 175/24	54208UF	1/4	2-1/16	1-3/16	43/64	1/8	15/32	1/4	5/8	37	Green
1/0	225/24	54209UF	3/8	2-3/4	1-13/16	3/4	9/64	17/32	3/8	1	42	Pink
2/0	1/0 275/24	54210UF	3/8	2-13/16	1-13/16	13/16	9/64	37/64	3/8	1	45	Black
3/0	2/0 325/24	54211UF	3/8	2-15/16	1-13/16	15/16	9/64	5/8	3/8	1	50	Orange
4/0	450/24, 3/0	54212UF	3/8	3-1/16	1-13/16	1-1/32	5/32	45/64	3/8	1	54	Purple
350 kcmil		54215UF	3/8	3-9/16	1-13/16	1-3/8	13/64	15/16	9/16	1	71	Red
		54282UF†	1/2	4-3/16	2-13/16	11/32	13/64	59/64	1/2	1-3/4	71	Red
	350 925/24	58277UF	1/2	4-9/16	2-13/16	1-5/8	1/4	1-3/32	9/16	1-3/4	80	N/A
	500/535 1325/24	54218UF	3/8	3-9/16	1-13/16	1-5/8	1/4	1-3/32	9/16	1	87	Brown
		54286UF	1/2	4-9/16	2-13/16	1-39/64	7/32	1-3/32	1/2	1-3/4	87	Brown
500 kcmil		58281UF	1/2	4-11/16	2-13/16	1-25/32	9/32	1-1/4	1/2	1-3/4	99	Pink
		58282UF	1/2	3-1/4	2-13/16	1-25/32	9/32	1-1/4	1/2	1-3/4	99	Pink
750 kcmil		54223UF	1/2	4-11/16	2-13/16	1-15/16	5/16	1-21/64	13/16	1-3/4	106	Black
900 kcmil	750/727 1925/24	54226UF	1/2	5-1/16	2-7/8	2-3/16	11/32	1-1/2	7/8	1-3/4	115	Yellow
1000 kcmil		54228UF	1/2	5-29/64	3	2-17/64	19/64	1-35/64	1/2	1-3/4	125	N/A

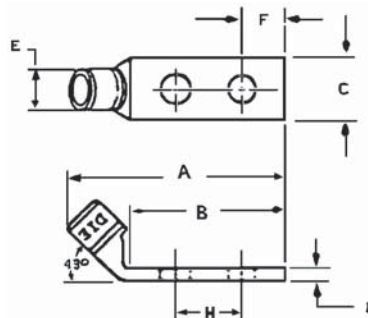
Can be used for 600V to 35kV applications provided proper insulation techniques are used.
U.L. and C.S.A. listing of T&B connectors is a continual process; please call your Regional Sales Office for the latest listings.
Many tongue sizes are available undrilled; please call your Regional Sales Office for availability.

*Call your Regional Sales Office for sizes not listed.

** 'A' dimension is approximate.

For tool and die selection see page 40.

† Not CSA approved.



Color-Keyed® Connectors for All Copper Cables



Two Hole Lugs—45° Long Barrel for 600V to 35 kV Applications

Material: High Conductivity Wrought Copper
Finish: Electro Tin Plate

COMPRESSION CONNECTORS

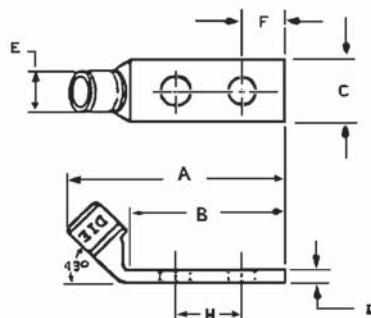
Wire Size*		G	Bolt Size A**	Dimensions (in.)						Code	Die Key	Colour
CodeFlex	Cat. No.			B	C	D	E	F	H			
#8	#8 37/24	54850BEUF	1/4	2-1/8	1-3/16	15/32	1/16	17/64	1/4	5/8	21	Red
		54851BEUF	1/4	2-5/16	1-17/64	15/32	1/16	17/64	1/4	3/4	21	Red
		54851BEUF0612	3/8	3	2	37/64	1/16	17/64	3/8	1	21	Red
#6	#6 61/24	54852BEUF	1/4	2-9/32	1-9/32	27/64	5/64	19/64	1/4	5/8	24	Blue
		54852BEUF0416	1/4	2-13/16	1-7/8	37/64	5/64	19/64	1/4	1	24	Blue
		54852BEUF0412	1/4	2-9/32	1-5/16	7/16	5/64	19/64	1/4	3/4	24	Blue
		54852BEUF0616	3/8	3	2	37/64	5/64	19/64	3/8	1	24	Blue
		54852BEUF0828	1/2	4-3/32	2-7/8	3/4	5/64	19/64	5/8	1-3/4	24	Blue
#4	#4 91/24	54854BEUF	1/4	2-3/16	1-3/16	9/16	3/32	23/64	1/4	5/8	29	Grey
		54854BEUF0412	1/4	2-5/16	1-5/16	9/16	3/32	23/64	1/4	3/4	29	Grey
		54854BEUF0416	1/4	2-7/8	1-7/8	37/64	3/32	23/64	3/8	1	29	Grey
		54854BEUF0516	5/16	2-3/4	1-3/4	9/16	3/32	23/64	11/32	1	29	Grey
		54854BEUF0616	3/8	3-1/8	2	37/64	3/32	23/64	3/8	1	29	Grey
		54854BEUF0828	1/2	4-1/8	2-7/8	3/4	3/32	23/64	5/8	2	29	Grey
#2	125/24	54855BEUF0416	1/4	3-1/16	1-7/8	43/64	3/32	13/32	3/8	1	33	Brown
		54855BEUF	1/4	2-17/32	1-15/16	43/64	7/64	13/32	3/8	5/8	33	Brown
		54855BEUF0412	1/4	2-5/8	1-11/32	43/64	7/64	13/32	1/4	3/4	33	Brown
		54856BEUF	5/16	2-25/32	1-5/8	37/64	7/64	13/32	3/8	3/4	33	Brown
		54810BEUF	3/8	3-51/64	2-39/64	43/64	7/64	13/32	3/8	1-3/4	33	Brown
		54810BEUF0616	3/8	3-1/8	2	43/64	3/32	13/32	3/8	1	33	Brown
		54811BEUF	1/2	4-11/64	2-57/64	25/32	3/32	13/32	5/8	1-3/4	33	Brown
#1	#2 150/24 175/24	54809BEUF	1/4	2-7/8	1-37/64	43/64	7/64	15/32	3/8	5/8	37	Green
		54812BEUF	1/4	3	1-45/64	43/64	7/64	15/32	1/4	3/4	37	Green
		54858BEUF	5/16	2-31/32	1-5/8	43/64	7/64	15/32	3/8	7/8	37	Green
		54857BEUF0616	3/8	3-1/4	2	43/64	7/64	15/32	3/8	1	37	Green
		54857BEUF	1/2	4-9/32	2-63/64	3/4	3/32	15/32	5/8	1-3/4	37	Green
1/0	225/24	54859BEUF0416	1/4	3-5/8	1-7/8	3/4	1/8	17/32	3/8	1	42	Pink
		54859BEUF0416PH	1/4	3-5/8	1-7/8	3/4	1/8	17/32	3/8	1	42	Pink
		54859BEUF	1/4	2-17/32	1-15/64	3/4	1/8	33/64	1/4	5/8	42	Pink
		54813BEUF	1/4	2-21/64	1-23/64	3/4	1/8	33/64	1/4	3/4	42	Pink
		54860BEUF	5/16	2-31/32	1-5/8	3/4	1/8	17/32	3/8	7/8	42	Pink
		54860BEUF0616	3/8	3-1/4	2	3/4	1/8	17/32	3/8	1	42	Pink
		54860BEUF0616PH	3/8	3-1/4	2	3/4	1/8	17/32	3/8	1	42	Pink
		54860BEUF0828	1/2	4-9/32	2-7/8	3/4	1/8	17/32	5/8	1-3/4	42	Pink

Can be used for 600V to 35kV applications provided proper insulation techniques are used.
U.L. and C.S.A. listing of T&B connectors is a continual process; please call your Regional Sales Office for the latest listings.
Many tongue sizes are available undrilled; please call your Regional Sales Office for availability.

*Call your Regional Sales Office for sizes not listed.

** 'A' dimension is approximate.

For tool and die selection see page 40.



Color-Keyed®

Connectors for All Copper Cables



Two Hole Lugs—45° Long Barrel for 600V to 35 kV Applications (continued)

Material: High Conductivity Wrought Copper
Finish: Electro Tin Plate

Wire Size*		G	Bolt Size		Dimensions (in.)						Code	Die Key	Colour
CodeFlex	Cat. No.		A**	B	C	D	E	F	H				
2/0	1/0 275/24	54814BEUF	1/4	2-33/64	1-15/64	53/64	1/8	37/64	1/4	5/8	45	Black	
		54814BEUF0412	1/4	3-11/32	1-5/16	13/16	1/8	17/32	1/4	3/4	45	Black	
		54862BEUF0616	3/8	3-3/16	1-13/16	13/16	1/8	17/32	3/8	1	45	Black	
		54862BEUF0616PH	3/8	3-3/16	1-13/16	13/16	1/8	17/32	3/8	1	45	Black	
		54862BEUF	1/2	4-29/64	2-15/16	53/64	1/8	37/64	5/8	1-3/4	45	Black	
3/0	2/0 325/24	54815BEUF	1/4	2-57/64	1-1/3	15/16	1/8	5/8	1/4	3/4	50	Orange	
		54816BEUF	3/8	3-9/64	1-3/5	15/16	1/8	5/8	1/4	1	50	Orange	
		54864BEUF	1/2	4-29/64	3	15/16	1/8	41/64	5/8	1-3/4	50	Orange	
4/0	3/0 450/24	54817BEUF	1/4	3-5/32	1-1/3	1-1/32	9/64	45/64	1/4	3/4	54	Purple	
		54818BEUF	3/8	4-19/64	2-1/2	1-1/32	9/64	45/64	3/8	3/4	54	Purple	
		54818BEUF0616	3/8	3-5/16	1-4/5	1-3/32	9/64	45/64	3/8	1	54	Purple	
		54818BEUF0616PH	3/8	3-5/16	1-4/5	1-3/32	9/64	45/64	3/8	1	54	Purple	
		54866BEUF	1/2	4-45/64	3	1-1/32	9/64	45/64	1/2	1-3/4	54	Purple	
250 kcmil	4/0 550/24	54868BEUF0616	3/8	3-29/32	2	1-1/8	9/64	49/64	3/8	1	62	Yellow	
		54868BEUF0616PH	3/8	3-29/32	2	1-1/8	9/64	49/64	3/8	1	62	Yellow	
		54868BEUF	1/2	4-59/64	2-63/64	1-3/32	9/64	49/64	5/8	1-3/4	62	Yellow	
300 kcmil		54819BEUF	3/8	5	2-25/32	1-1/4	5/32	27/32	3/8	1	66	White	
		54870BEUF	1/2	5-13/64	2-63/64	1-1/4	5/32	27/32	1/2	1-3/4	66	White	
350 kcmil	262 650/24	54820BEUF	1/4	4-1/8	1-29/32	1-23/64	11/64	59/64	1/4	3/4	71	Red	
		54872BEUF0616	3/8	4-1/16	1-13/16	1-23/64	11/64	15/16	3/8	1	71	Red	
		54872BEUF0616PH	3/8	4-1/16	1-13/16	1-23/64	11/64	15/16	3/8	1	71	Red	
		54872BEUF	1/2	5-11/32	2-63/64	1-23/64	11/64	59/64	1/2	1-3/4	71	Red	
400 kcmil	313 775/24	54822BEUF	1/4	4-3/8	1-29/32	1-13/32	11/64	61/64	1/4	3/4	76	Blue	
		54821BEUF	3/8	5-1/4	2-25/32	1-13/32	11/64	61/64	3/8	1	76	Blue	
		54874BEUF	1/2	5-29/64	2-63/64	1-13/32	11/64	61/64	1/2	1-3/4	76	Blue	
500 kcmil	350/373 925/24	54823BEUF	1/4	4-7/8	1-29/32	1-39/64	7/32	1-3/32	1/4	3/4	87	Brown	
		54876BEUF0616	3/8	4-7/8	1-15/16	1-5/8	7/32	1-7/64	3/8	1	87	Brown	
		54876BEUF0616PH	3/8	4-7/8	1-15/16	1-5/8	7/32	1-7/64	3/8	1	87	Brown	
		54876BEUF	1/2	5-61/64	2-63/64	1-39/64	7/32	1-3/32	1/2	1-3/4	87	Brown	
600 kcmil	444 1100/24	54824BEUF	3/8	5-35/64	2-25/32	1-3/4	1/4	1-13/64	3/8	1	94	Green	
		54878BEUF	1/2	5-3/4	2-63/64	1-3/4	1/4	1-13/64	1/2	1-3/4	94	Green	
750 kcmil		54880BE0616UF	3/8	6-1/4	3	1-15/16	1/4	1-1/3	1/2	1	106	Black	
		54880BEUF0616PH	3/8	6-1/4	3	1-15/16	1/4	1-1/3	1/2	1	106	Black	
		54880BEUF	1/2	6-3/32	2-63/64	1-15/16	1/4	1-1/3	1/2	1-3/4	106	Black	
	1600/24	58884BEUF†	1/2	6-1/32	2-63/64	1-31/32	19/64	1-11/32	5/8	1-3/4	106	Black	
900 kcmil	750/777 1925/24	58826BEUF†	1/2	6-19/32	2-63/64	2-11/64	5/16	1-1/2	1/2	1-3/4	115	Yellow	

Can be used for 600V to 35kV applications provided proper insulation techniques are used.

U.L. and C.S.A. listing of T&B connectors is a continual process;

please call your Regional Sales Office for the latest listings.

Many tongue sizes are available undrilled;

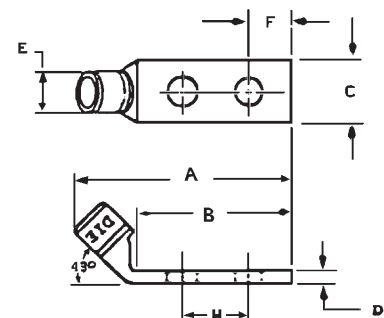
please call your Regional Sales Office for availability.

† Not CSA approved.

* Call your Regional Sales Office for sizes not listed.

** 'A' dimension is approximate.

For tool and die selection see page 40.





Two Hole Lugs — 45° Long Barrel for 600V to 35 kV Applications (continued)

Material: High Conductivity Wrought Copper
Finish: Electro Tin Plate

Wire Size*		Cat. No.	Bolt Size G	Dimensions (in.)							Die Code	Colour Key
Code	Flex			A**	B	C	D	E	F	H		
1000		54826BEUF	1/2	6-13/32	2-25/32	2-17/64	19/64	1-35/64	3/8	1	125	N/A
kcmil		54882BEUF	1/2	6-19/32	2-63/64	2-17/64	19/64	1-35/64	1/2	1-3/4	125	N/A

Can be used for 600V to 35kV applications provided proper insulation techniques are used.

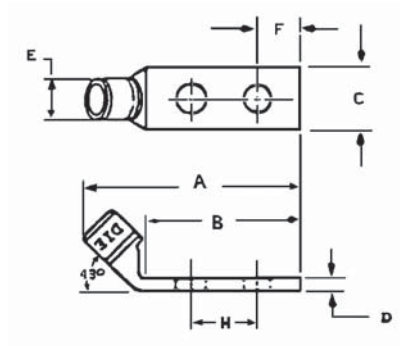
U.L. and C.S.A. listing of T&B connectors is a continual process; please call your Regional Sales Office for the latest listings.

Many tongue sizes are available undrilled; please call your Regional Sales Office for availability.

*Call your Regional Sales Office for sizes not listed.

** 'A' dimension is approximate.

For tool and die selection see page 40.





Two Hole Lugs—90° Standard Barrel for 600V to 35 kV Applications

Material: High Conductivity Wrought Copper
Finish: Electro Tin Plate

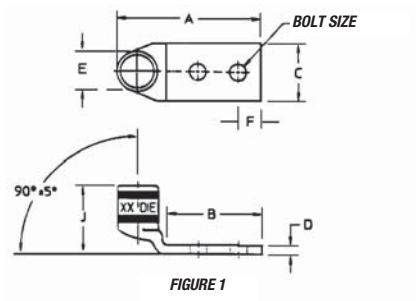
Wire Size*		Cat. No.	Fig. No.	Bolt Size G	Dimensions (in.)							Spacing	Die Code	Colour Key
Code	Flex				A	B	C	D	E	F	J			
#6	#6 61/24	54205UB	1	1/4	1-5/8	1-3/16	7/16	7/64	9/32	1/4	1	5/8	24	Blue
#2	125/24	54207UB	1	1/4	1-11/16	1-3/16	19/32	3/32	13/32	1/4	1-1/4	5/8	33	Brown
2/0 275/24	1/0	54210UB	1	3/8	2-5/8	1-13/16	13/16	9/64	37/64	3/8	1-1/2	1	45	Black
250 kcmil		54213UB	1	3/8	3-5/32	1-13/16	1-3/16	3/16	49/64	3/8	1-3/8	1	62	Yellow
		54868BEUB	1	1/2	4	3	1-3/32	9/64	19/64	1/2	2-3/16	1-3/4	62	Yellow
300 kcmil	4/0 550/24	58265UB	1	1/2	3-17/32	2-13/16	1-1/4	3/16	27/32	1/2	1-3/8	1-3/4	62	Yellow
		54214UB	1	3/8	3-17/32	1-13/16	1-1/4	3/16	27/32	3/8	1-13/32	1	66	White
350 kcmil		54215UB	1	3/8	2-13/16	1-13/16	1-5/16	7/32	15/16	3/8	1-7/16	1	71	Red
		54282UB	1	1/2	4	2-13/16	1-3/8	7/32	29/32	1/2	1-5/32	1-3/4	71	Red
500 kcmil	350/373 925/24	58277UB	1	1/2	3-7/16	2-13/16	1-5/8	1/4	1-3/32	1/2	2	1-3/4	80	N/A
		54218UB	1	3/8	3-5/32	1-13/16	1-5/8	1/4	1	3/8	2	1	87	Brown
		54286UB	1	1/2	3-15/16	2-9/16	1-5/8	1/4	1-3/32	3/8	2	1-3/4	87	Brown
700 kcmil	500/535 1325/24	58281UB	1	1/2	4-1/8	2-13/16	1-25/32	9/32	1-1/4	1/2	2	1-3/4	99	Pink
		58282UB†	1	1/2	4-5/32	2-13/16	1-5/8	7/32	1-7/64	1/2	2	1-3/4	99	Pink

Can be used for 600V to 35kV applications provided proper insulation techniques are used.
U.L. and C.S.A. listing of T&B connectors is a continual process; please call your Regional Sales Office for the latest listings.
Many tongue sizes are available undrilled; please call your Regional Sales Office for availability.

† Not CSA approved.

* Call your Regional Sales Office for sizes not listed.

For tool and die selection see page 40.



Color-Keyed® Connectors for All Copper Cables



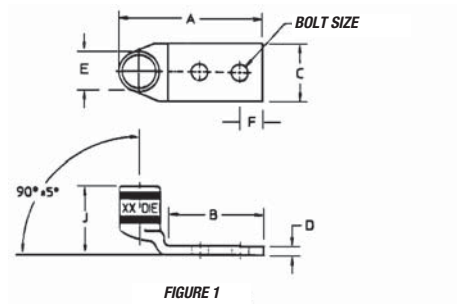
Two Hole Lugs—90° Standard Barrel for 600V to 35 kV Applications (continued)

Material: High Conductivity Wrought Copper
Finish: Electro Tin Plate

Wire Size*		Cat. No.	Fig. No.	Bolt Size G	Dimensions (in.)							Spacing	Die Code	Colour Key
Code	Flex				A	B	C	D	E	F	J			
750 kcmil		54223UB	1	1/2	4 13/32	2-13/16	1-15/16	15/16	1-21/64	1/2	2-3/16	1-3/4	106	Black
900 kcmil	750/777 925/24	54226UB	1	1/2	4-11/16	2-7/8	2-3/16	11/32	1-1/2	1/2	2-11/16	1-3/4	115	Yellow
1000 kcmil		54228UB	1	1/2	4-7/8	3	2-17/64	19/64	1-35/64	1/2	2-13/16	1-3/4	125	N/A

Can be used for 600V to 35kV applications provided proper insulation techniques are used.
U.L. and C.S.A. listing of T&B connectors is a continual process; please call your Regional Sales Office for the latest listings.
Many tongue sizes are available undrilled; please call your Regional Sales Office for availability.
*Call your Regional Sales Office for sizes not listed.

For tool and die selection see page 40.



COMPRESSION CONNECTORS