

MICON 5, round plunger 14.5 mm, L 4.45 mm



fields of application

- > Measurement-control-regulation
- > Mechanical and system engineering
- > Automotive
- > Signalling systems
- > Vehicle construction
- > Handheld terminals

description

The wide selection of standard plungers in different shapes and colors guarantees a versatile range of applications for the MICON 5 tactile switch.

technical data

> general

illuminated	No
Packaging unit	500 pcs.
net weight	0.3 g
MOQ order	2,500 pcs.
RoHS compliant	Yes
REACH compliant	Yes

direct links

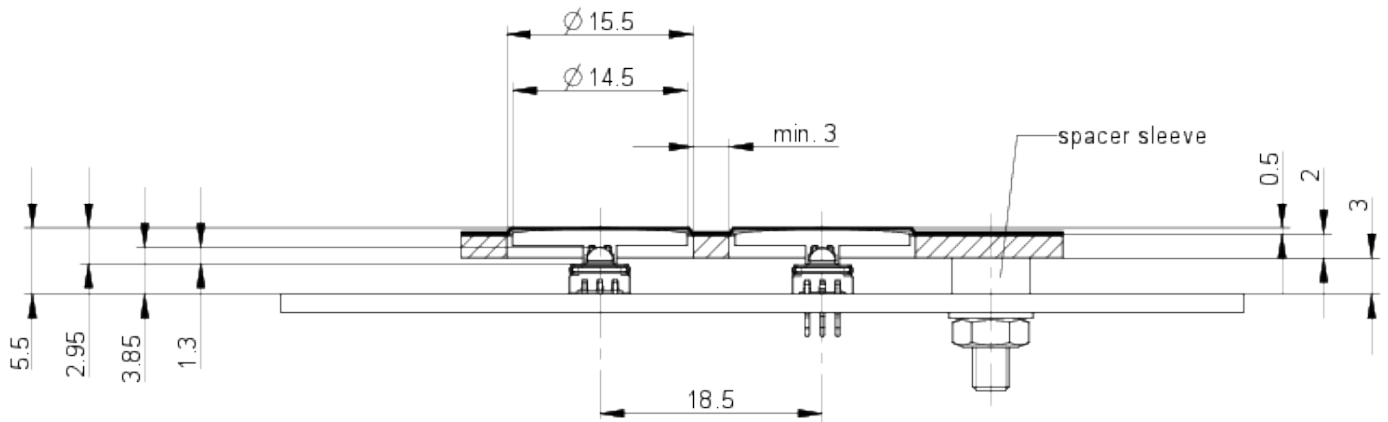
- > [RAFI eCatalog](#)

> mounting diameters

Outside dimension, length	4.45 mm
Outside dimension, width	14.5 mm
Outside dimension, height	14.5 mm

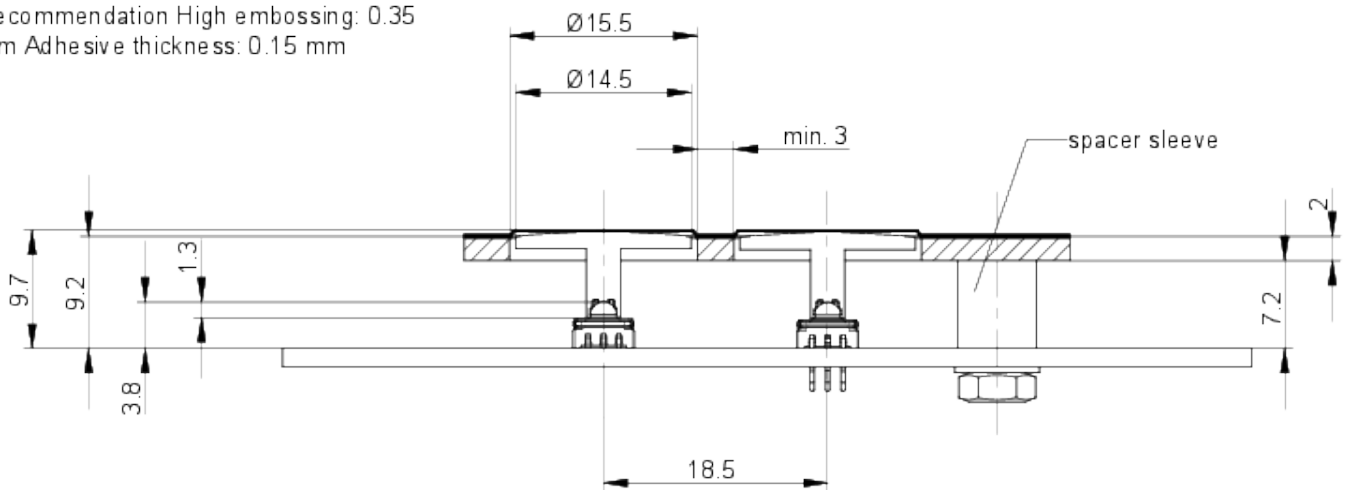
drawings

System drawing



System drawing

Recommendation High embossing: 0.35 mm
 Adhesive thickness: 0.15 mm



System drawing

suggestion
 high embossing: 0.35 mm
 clue thickness: 0.15 mm

