

Pushbutton, Single Pole



Features

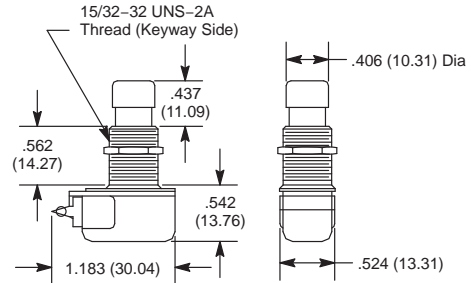
- AC/DC Rated
- Quick Make, Quick Break Contacts
- Self-Cleaning Contacts
- Suitable for Foot Switches
- Typical Actuation Force: 6-8lbs.



NTE Type No.	Circuitry	Action		Actuator	Diag No.
54-066	SPST	OFF	(ON)	Brass/Nickel Plate	S12a
54-067	SPST	ON	(OFF)	Brass/Nickel Plate	S12a
54-068	SPST	ON	OFF	Brass/Nickel Plate	S12b
54-069	SPST	ON	OFF	Brass/Nickel Plate	S12c

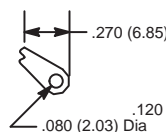
SPECIAL NOTE: () = Momentary Function

S12

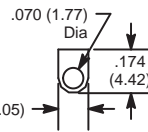


Terminal Types

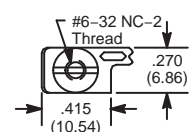
a: Solder Lug (End)



b: Solder Lug (Bottom)



c: Screw (Assembled)



Specifications

Current Rating: 6A 125VAC, 3A 250VAC, AC/DC
Insulation Resistance: 100 Megohms (min.)
Dielectric Strength: 1000V RMS (min.)
Temperature Rating: +32° to +185°F (0° to +85°C)
Electrical Life: 100,000 cycles
Mechanical Life: 25,000 cycles
Terminal Type: Refer to Diag No. in Table
Mounting Hole: .500 (12.7)

Nylon Pushbutton, Single Pole



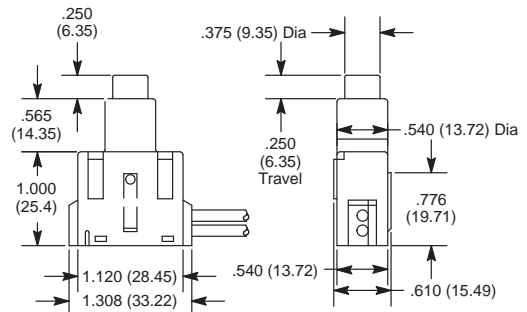
Features

- Heavy Duty
- 6" Wire Leads
- Both Bushing & Bracket are Made of Nylon



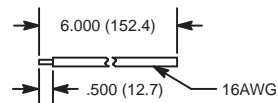
NTE Type No.	Circuitry	Action		Actuator	Diag No.
54-072	SPST	ON	OFF	Nylon	S13

S13



Terminal Types

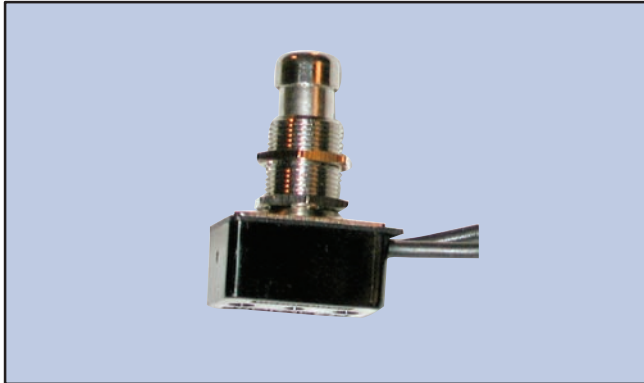
Integrated Wire



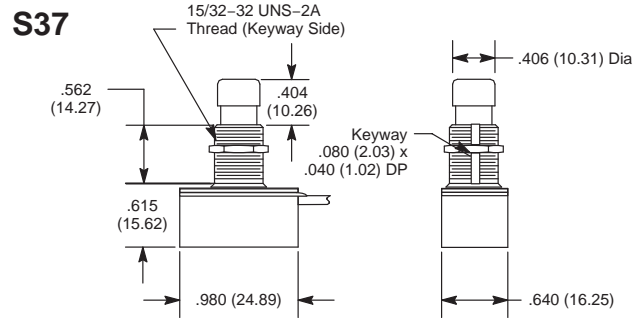
Specifications

Current Rating: 15A 125VAC, 10A 250VAC, 3/4 HP 125-250VAC
Insulation Resistance: 100 Megohms (min.)
Dielectric Strength: 1000V RMS (min.)
Temperature Rating: +32° to +185°F (0° to +85°C)
Electrical Life: 100,000 cycles
Mechanical Life: 25,000 cycles
Terminal Type: Integrated Wire Type
Mounting Hole: .550 (13.97)

Pushbutton, Single Pole

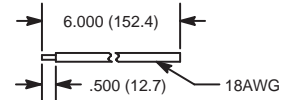


NTE Type No.	Circuitry	Action		Actuator	Diag No.
54-132	SPST	ON	OFF	Metal	S37



Terminal Types

Integrated Wire



Specifications

Current Rating: 10A 250VAC, 8A 125VDC, 4A 250VDC, 1/3 HP 125VAC

Dielectric Strength: 1000V RMS (min.)

Temperature Rating: +149°F (+65°C) Max

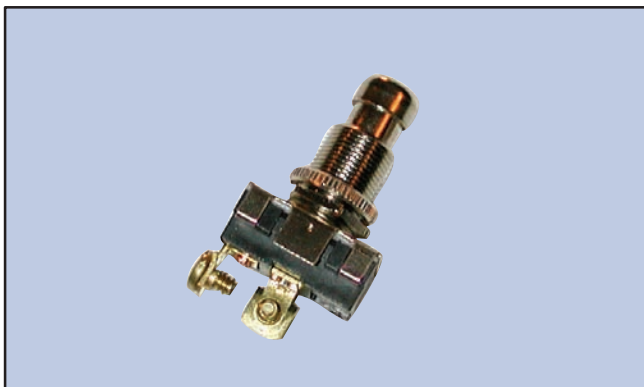
Electrical Life: 25,000 cycles Min

Mechanical Life: 100,000 cycles

Terminal Type: Integrated Wire

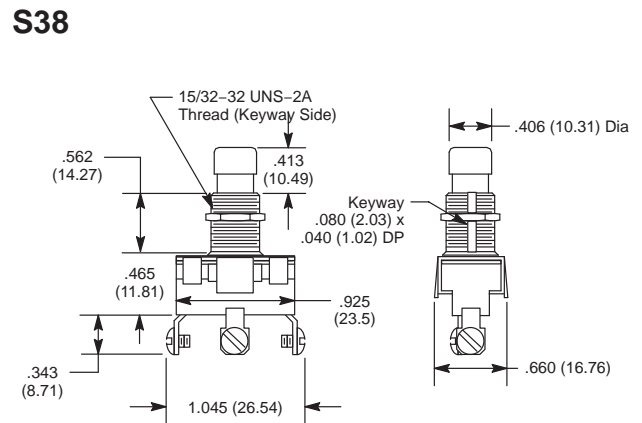
Mounting Hole: .500 (12.7)

Pushbutton, Single Pole



NTE Type No.	Circuitry	Action		Actuator	Diag No.
54-133	SPST	ON	OFF	Metal	S38
54-134	SPST	OFF	(ON)	Metal	S38
54-135	SPST	ON	(OFF)	Metal	S38
54-136	SPDT	ON	ON	Metal	S38

SPECIAL NOTE: () = Momentary Function



Specifications

Current Rating: 10A 250VAC, 15A 125VDC

Dielectric Strength: 1000V RMS (min.)

Temperature Rating: +149°F (+65°C) Max

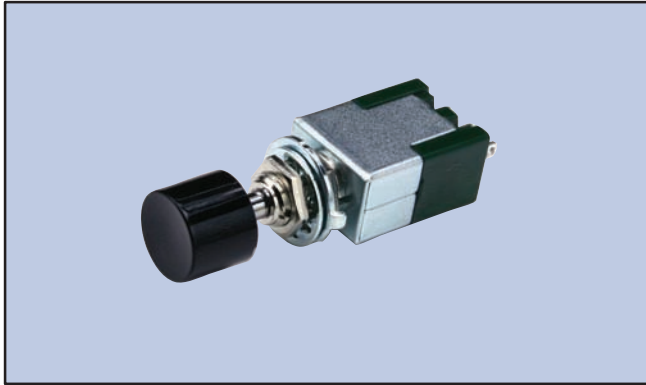
Electrical Life: 15,000 cycles Min

Mechanical Life: 40,000 cycles

Terminal Type: Screw Terminals

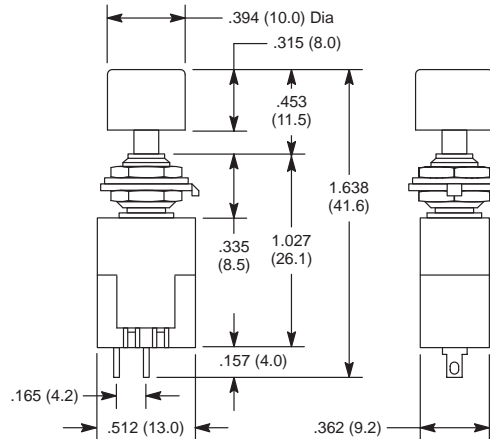
Mounting Hole: .500 (12.7)

Pushbutton, Single Pole



NTE Type No.	Circuitry	Action		Actuator		Diag No.
				Material	Color	
54-380	SPDT	ON	ON	Polyamide	Black	S66

S66



Specifications

Current Rating: 3A 125VAC
Insulation Resistance: 100 Megohms (min.)
Dielectric Strength: 1000V RMS (min.)
Temperature Rating: +14° to +131°F (-10° to +55°C)
Electrical Life: 10,000 cycles
Mechanical Life: 30,000 cycles
Terminal Type: Solder Lug
Mounting Hole: .244 (6.2)

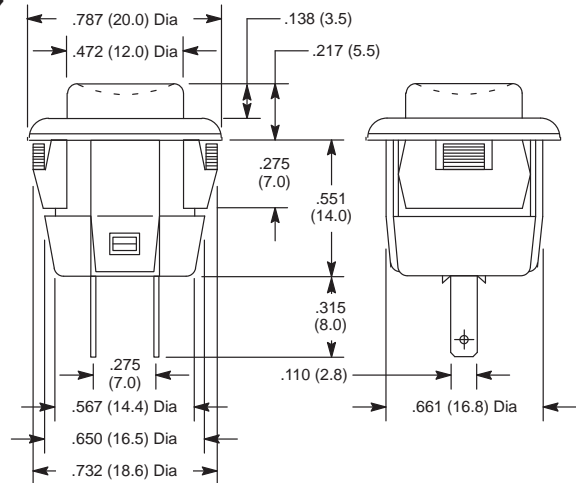
Pushbutton, Single Pole



NTE Type No.	Circuitry	Action		Actuator		Diag No.
				Material	Color	
54-385	SPST	OFF	(ON)	Molded ABS Resin	Red	S67
54-385A	SPST	OFF	ON	Molded ABS Resin	Red	S67

SPECIAL NOTE: () = Momentary Function

S67



Specifications

Current Rating: 3A 125VAC
Insulation Resistance: 100 Megohms (min.) at 500VDC
Dielectric Strength: 1000V RMS (min.)
Temperature Rating: +14° to +131°F (-10° to +55°C)
Electrical Life: 5,000 cycles
Mechanical Life: 30,000 cycles
Terminal Type: Solder Lug
Mounting Hole: .700 (17.8)

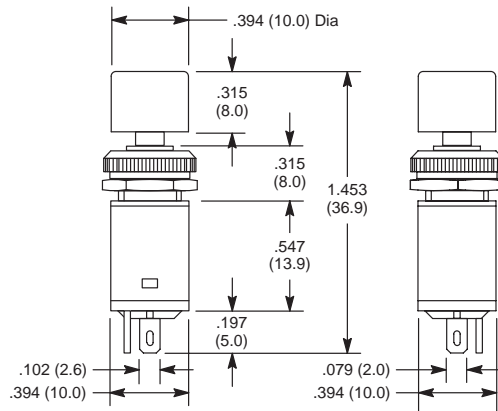
Pushbutton, Single Pole



NTE Type No.	Circuitry	Action		Actuator		Diag No.
				Material	Color	
54-382	SPST	OFF	ON	Molded Polyacetal Resin	Black	S70
54-383	SPDT	ON	ON	Molded Polyacetal Resin	Black	S70
54-384	SPST	OFF	(ON)	Molded Polyacetal Resin	Black	S70

SPECIAL NOTE: () = Momentary Function

S70



Specifications

Current Rating: 3A 125VAC
Insulation Resistance: 100 Megohms (min.) at 500VDC
Dielectric Strength: 1000V RMS (min.)
Temperature Rating: +14° to +131°F (-10° to +55°C)
Electrical Life: 10,000 cycles; 5,000 cycles (54-384 Only)
Mechanical Life: 30,000 cycles
Terminal Type: Solder Lug
Mounting Hole: .323 (8.2)

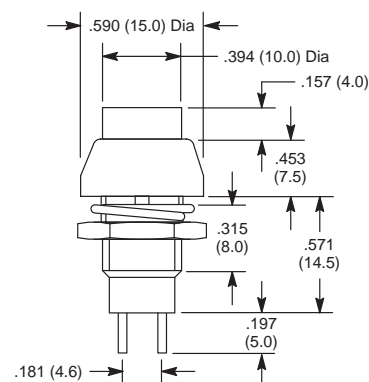
Pushbutton, Single Pole



NTE Type No.	Circuitry	Action		Actuator		Diag No.
				Material	Color	
54-388	SPST	OFF	(ON)	ABS Resin	Black	S72

SPECIAL NOTE: () = Momentary Function

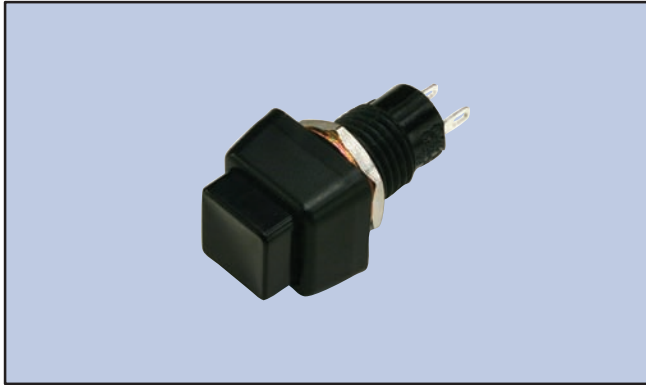
S72



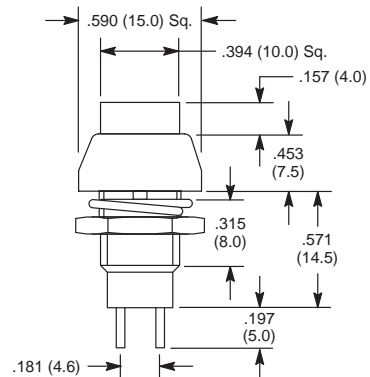
Specifications

Current Rating: 3A 125VAC, 1A 250VAC
Insulation Resistance: 100 Megohms (min.) at 500VDC
Dielectric Strength: 1500V RMS (min.)
Temperature Rating: +14° to +131°F (-10° to +55°C)
Electrical Life: 50,000 cycles
Mechanical Life: 100,000 cycles
Terminal Type: Solder Lug
Mounting Hole: .402 (10.2)

Pushbutton, Single Pole



S73



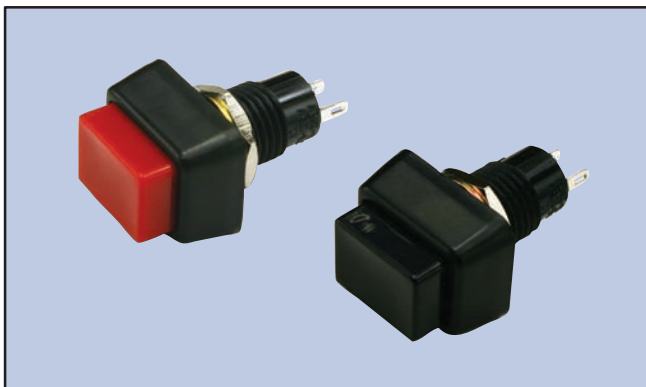
NTE Type No.	Circuitry	Action		Actuator		Diag No.
				Material	Color	
54-389	SPST	OFF	(ON)	ABS Resin	Black	S73

SPECIAL NOTE: () = Momentary Function

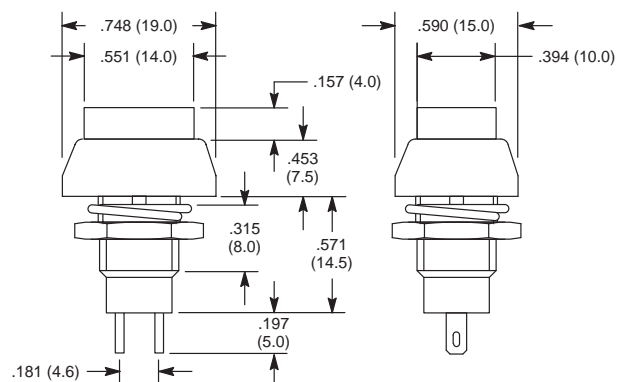
Specifications

Current Rating: 3A 125VAC, 1A 250VAC
Insulation Resistance: 100 Megohms (min.) at 500VDC
Dielectric Strength: 1500V RMS (min.)
Temperature Rating: +14° to +131°F (-10° to +55°C)
Electrical Life: 50,000 cycles
Mechanical Life: 100,000 cycles
Terminal Type: Solder Lug
Mounting Hole: .402 (10.2)

Pushbutton, Single Pole



S74



NTE Type No.	Circuitry	Action		Actuator		Diag No.
				Material	Color	
54-390	SPST	OFF	(ON)	ABS Resin	Black	S74
54-391	SPST	OFF	(ON)	ABS Resin	Red	S74

SPECIAL NOTE: () = Momentary Function

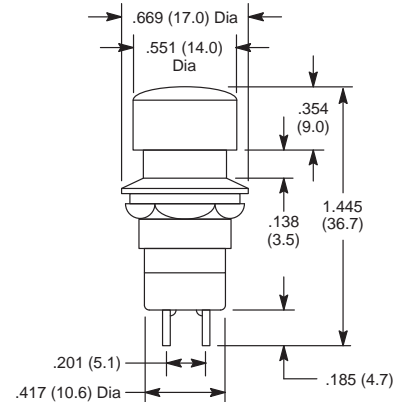
Specifications

Current Rating: 3A 125VAC, 1A 250VAC
Insulation Resistance: 100 Megohms (min.) at 500VDC
Dielectric Strength: 1500V RMS (min.)
Temperature Rating: +14° to +131°F (-10° to +55°C)
Electrical Life: 50,000 cycles
Mechanical Life: 100,000 cycles
Terminal Type: Solder Lug
Mounting Hole: .402 (10.2)

Pushbutton, Single Pole



S75



NTE Type No.	Circuitry	Action		Actuator		Diag No.
				Material	Color	
54-392	SPST	OFF	ON	ABS Resin	White	S75

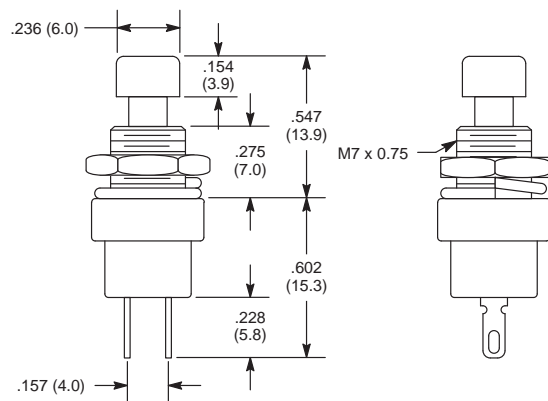
Specifications

Current Rating: 3A 250VAC
Insulation Resistance: 100 Megohms (min.)
Dielectric Strength: 1500V RMS (min.)
Temperature Rating: +14° to +131°F (-10° to +55°C)
Electrical Life: 10,000 cycles
Mechanical Life: 30,000 cycles
Terminal Type: Solder Lug
Mounting Hole: .480 (12.2)

Pushbutton, Single Pole



S88



NTE Type No.	Circuitry	Action		Actuator		Diag No.
				Material	Color	
54-394	SPST	OFF	(ON)	Nylon	Red	S88

SPECIAL NOTE: () = Momentary Function

Specifications

Current Rating: 3A 250VAC, 1.5A 250VAC
Insulation Resistance: 100 Megohms (min.) at 500VDC
Dielectric Strength: 1000V RMS (min.)
Temperature Rating: -4° to +149°F (-20° to +65°C)
Electrical Life: 6000 cycles (min.)
Mechanical Life: 100,000 cycles (min.)
Terminal Type: Solder Lug
Mounting Hole: .275 (7.0)

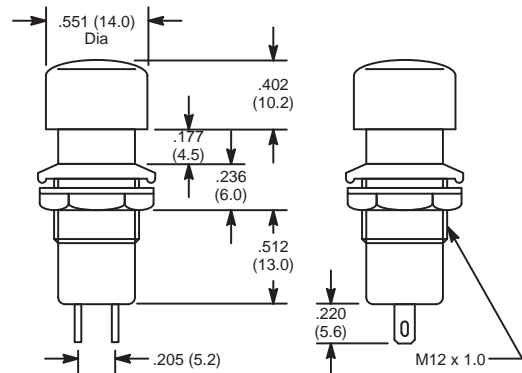
Pushbutton, Single Pole



NTE Type No.	Circuitry	Action		Actuator		Diag No.
				Material	Color	
54-556	SPST	OFF	(ON)	ABS Resin	Red	S25
54-557	SPST	OFF	(ON)	ABS Resin	Yellow	S25
54-558	SPST	OFF	(ON)	ABS Resin	Black	S25

SPECIAL NOTE: () = Momentary Function

S25



Specifications

Current Rating: 3A 125VAC, 1.5A 250VAC
Insulation Resistance: 100 Megohms (min.) at 500VDC
Dielectric Strength: 1000V RMS (min.)
Temperature Rating: -4° to +149°F (-20° to +65°C)
Electrical Life: 6000 cycles (min.)
Mechanical Life: 100,000 cycles (min.)
Terminal Type: Solder Lug
Mounting Hole: .480 (12.2)

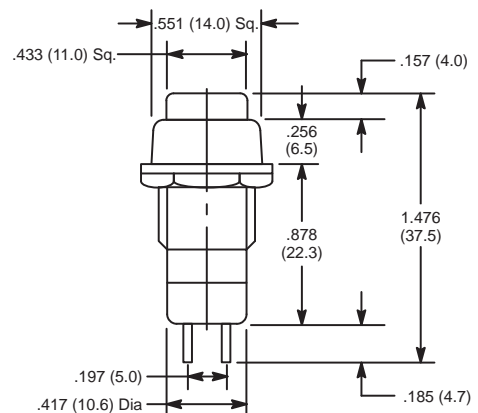
Pushbutton, Single Pole



NTE Type No.	Circuitry	Action		Actuator		Diag No.
				Material	Color	
54-125	SPST	OFF	(ON)	Poly Oxy Methylene	Red	S109

SPECIAL NOTE: () = Momentary Function

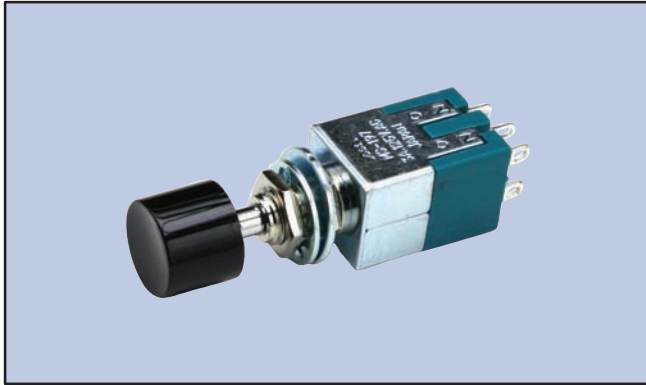
S109



Specifications

Current Rating: 3A 250VAC
Insulation Resistance: 100 Megohms (min.) at 500VDC
Dielectric Strength: 1500V RMS (min.)
Temperature Rating: +14° to +131°F (-10° to +55°C)
Electrical Life: 5,000 cycles
Mechanical Life: 30,000 cycles
Terminal Type: Solder lug
Mounting Hole: .484 (12.3)

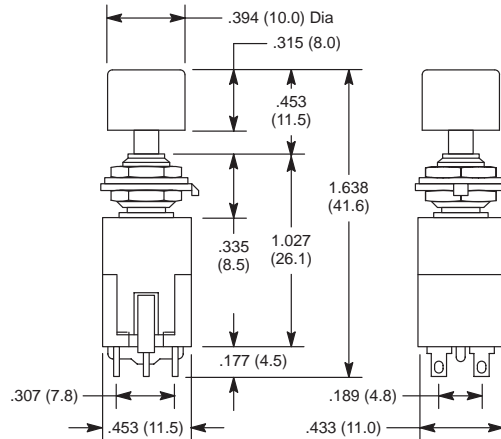
Pushbutton, Double Pole



NTE Type No.	Circuitry	Action		Actuator		Diag No.
				Material	Color	
54-393	DPDT	ON	ON	Polyamide	Black	S68

SPECIAL NOTE: () = Momentary Function

S68



Specifications

Current Rating: 3A 125VAC
Insulation Resistance: 100 Megohms (min.)
Dielectric Strength: 1000V RMS (min.)
Temperature Rating: +14° to +131°F (-10° to +55°C)
Electrical Life: 10,000 cycles
Mechanical Life: 30,000 cycles
Terminal Type: Solder Lug
Mounting Hole: .244 (6.2)

Pushbutton, Starter Button, Single Pole



Features

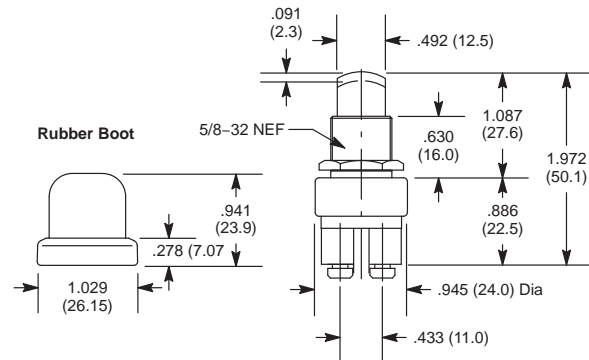
- Heavy Duty Die Cast Construction
- Rubber Dust and Moisture Resistant Boot Nut Included
- Starter Button Applications



NTE Type No.	Circuitry	Action		Actuator		Diag No.
				Material	Color	
54-576	SPST	OFF	(ON)	Nylon 66	Black	S87

SPECIAL NOTE: () = Momentary Function

S87



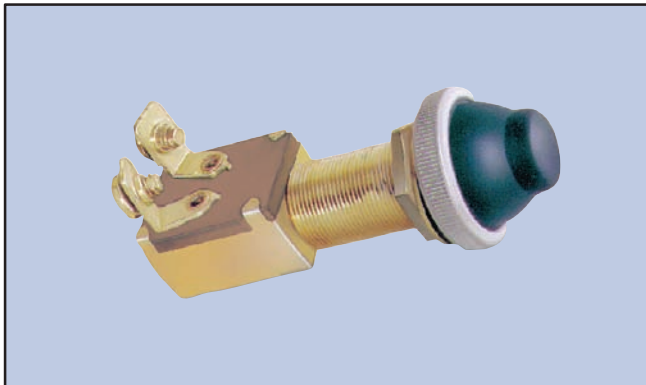
Specifications

Current Rating: 25A 6VDC, 50A 12VDC
Insulation Resistance: 100 Megohms (min.) at 500VDC
Dielectric Strength: 1500V RMS (min.)
Temperature Rating: +0° to +150°F (-18° to +65°C)
Electrical Life: 25,000 cycles
Mechanical Life: 100,000 cycles
Terminal Type: Screw Terminals
Mounting Hole: .630 (16.0)

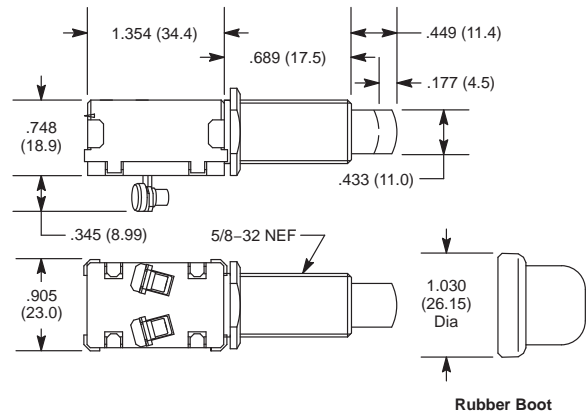
Pushbutton, Starter & Horn Button, Single Pole

Features

- Moisture Proof and Dust Proof Rubber Cap
- Starter and Horn Switch Applications



S91



NTE Type No.	Circuitry	Action		Actuator		Diag No.
				Material	Color	
54-577	SPST	OFF	(ON)	Nickel Plated Copper	Black	S91

SPECIAL NOTE: () = Momentary Function

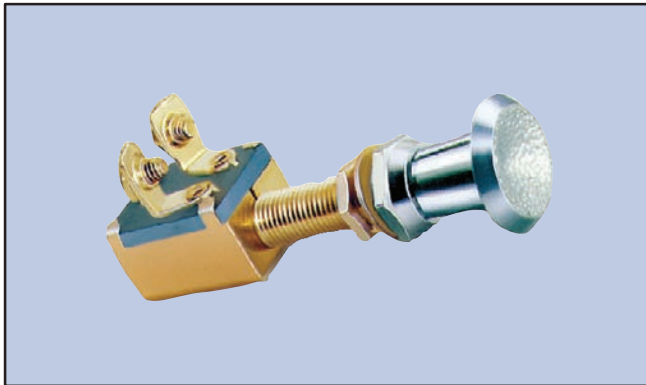
Specifications

Current Rating: 25A 6VDC, 15A 12VDC
Insulation Resistance: 100 Megohms (min.) at 500VDC
Dielectric Strength: 1500V RMS (min.)
Temperature Rating: +0° to +150°F (-18° to +65°C)
Electrical Life: 25,000 cycles
Mechanical Life: 1000,000 cycles
Terminal Type: Screw Terminals
Mounting Hole: .630 (16.0)

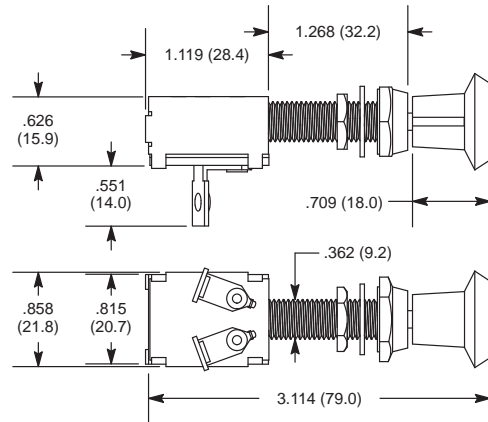
Push-Pull, Single Pole

Features

- Heavy Duty, 2-Position Push-Pull Switch
- Mounting Stem: 1 1/4" Long, 3/8" Diameter



S96



NTE Type No.	Circuitry	Action		Actuator		Diag No.
				Material	Color	
54-578	SPST	OFF	ON	Brass	Chrome	S96

Specifications

Current Rating: 25A 6VDC, 15A 12VDC
Insulation Resistance: 100 Megohms (min.) at 500VDC
Dielectric Strength: 1500V RMS (min.)
Temperature Rating: +0° to +150°F (-18° to +65°C)
Electrical Life: 30,000 cycles
Mechanical Life: 30,000 cycles
Terminal Type: Screw Terminals
Mounting Hole: .375 (9.52)

Pushbutton, Single Pole

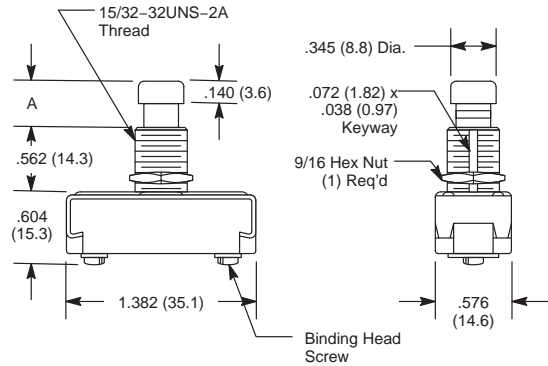


Features

- Momentary Action
- Slow Make, Slow Break Contacts



S120



Device Type	A
ON (OFF)	.240 (6.1)
OFF (ON)	.320 (8.1)

Specifications

Current Rating: 10A 250VAC, 15A 125VAC
Insulation Resistance: 100 Megohms (min.)
Dielectric Strength: 1000V RMS (min.)
Temperature Rating: +32° to +185°F (+0° to +85°C)
Electrical Life: 25,000 cycles
Mechanical Life: 100,000 cycles
Terminal Type: Screw Terminals
Mounting Hole: .500 (12.7)

NTE Type No.	Circuitry	Action		Actuator	Diag No.
54-650	SPST	ON	(OFF)	Brass/Nickel Plate	S120
54-651	SPST	OFF	(ON)	Brass/Nickel Plate	S120

NEW
NEW

SPECIAL NOTE: () = Momentary Function

Pushbutton Canopy Switch

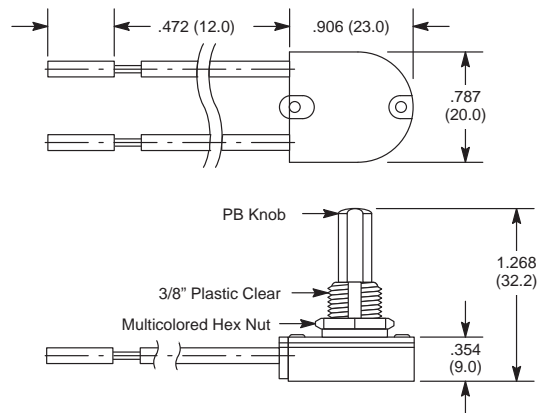


Features

- Single Circuit Canopy Switch
- Sequence – Load 1 On, Load 1 Off
- One-Piece Construction Eliminates the Need for a Hex Lock Nut



S121



Specifications

Current Rating: 3A 250VAC, 6A 125VAC, 6A 125VL
Insulation Resistance: 100 Megohms (min.)
Dielectric Strength: 1500V RMS (min.)
Temperature Rating: +32° to +185°F (+0° to +85°C)
Electrical Life: 6,000 cycles (min.)
Mechanical Life: 6,000 cycles (min.)
Terminal Type: 18 AWG, 6" length
Mounting Hole: .393 (10.0)

NTE Type No.	Circuitry	Action		Actuator	Diag No.
54-660	SPST	ON	OFF	3/8" Brass Plate	S121

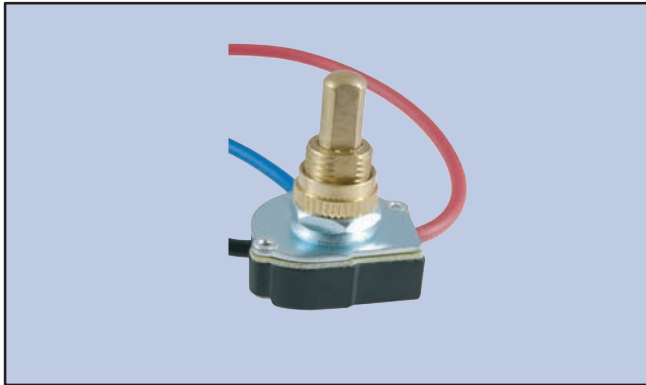
NEW

Pushbutton Canopy Switch

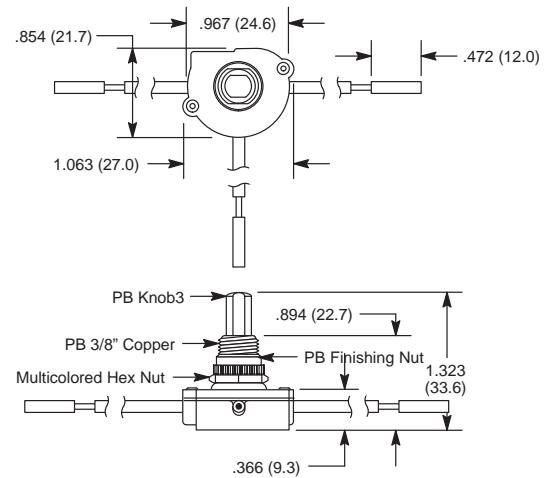


Features

- 2 Circuit, 4 Position Canopy Switch
- Sequence – Load 1 On, Load 2 On, Load 1 & 2 On, All Off



S122



Specifications

- Current Rating:** 1A 125VT, 3A 250VAC, 6A 125VAC, 6A 125VL
- Insulation Resistance:** 100 Megohms (min.)
- Dielectric Strength:** 1500V RMS (min.)
- Temperature Rating:** +32° to +185°F (+0° to +85°C)
- Electrical Life:** 6,000 cycles (min.)
- Mechanical Life:** 6,000 cycles (min.)
- Terminal Type:** 18 AWG, 6" length
- Mounting Hole:** .393 (10.0)

NTE Type No.	Sequence				Actuator	Diag No.
	Load 1	Load 2	Load 1 & 2	All		
54-662	ON	ON	ON	OFF	3/8" Brass Plate	S122

NEW