

**PLEASE CHECK WWW.MOLEX.COM FOR LATEST PART INFORMATION**

**Part Number:** [0539880619](#)  
**Status:** **Active**  
**Description:** 2.00mm Pitch Serial I/O Connector, Receptacle, Wire-to-Wire, Solder Type, 6 Circuits

**Documents:**

[3D Model](#) [Product Specification PS-54280-005-001 \(PDF\)](#)  
[3D Model \(PDF\)](#) [RoHS Certificate of Compliance \(PDF\)](#)  
[Drawing \(PDF\)](#)

**General**

Product Family I/O Connectors  
Series [53988](#)  
Application Wire-to-Wire  
Component Type Receptacle  
Product Name N/A  
Type N/A  
UPC 822348190812

**Physical**

Circuits (Loaded) 6  
Circuits (maximum) 6  
Color - Resin Black  
Lock to Mating Part Yes  
Material - Metal Phosphor Bronze  
Material - Plating Mating Gold  
Material - Plating Termination Tin  
Material - Resin High Temperature Thermoplastic  
Net Weight 2649.366/mg  
Number of Rows 2  
Orientation Vertical  
PCB Retention N/A  
Packaging Type Bag  
Panel Mount No  
Pitch - Mating Interface 2.00mm  
Plating min - Mating 0.762µm  
Plating min - Termination 3.048µm  
Polarized to Mating Part Yes  
Ports 1  
Temperature Range - Operating -40° to +85°C  
Termination Interface: Style N/A  
Wire Insulation Diameter 2.10mm max.  
Wire Size AWG 16

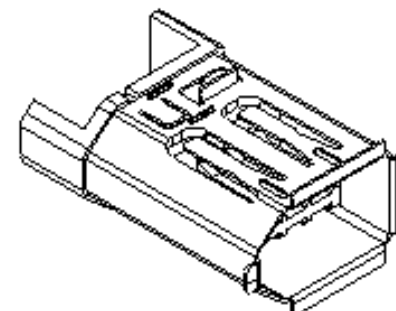
**Electrical**

Current - Maximum per Contact 2.0A  
Shielded Yes  
Voltage - Maximum 125V

**Material Info**

**Reference - Drawing Numbers**

Product Specification PS-54280-005-001  
Sales Drawing SD-53988-001



*Series image - Reference only*

**EU ELV**

**Not Relevant**

**EU RoHS**

**Compliant**

**REACH SVHC**

Not Contained Per -  
D(2020)9139-DC (19  
Jan 2021)

**Halogen-Free**

**Status**

**Not Low-Halogen**

For more information, please visit [Contact US](#)

China ROHS

ELV

RoHS Phthalates

**China RoHS**

Green Image

Not Relevant

Not Contained

**Search Parts in this Series**

[53988 Series](#)

**Mates With**

54180 Plug, [55100 Plug Kit](#)

**Use With**

58302 Shell Cover