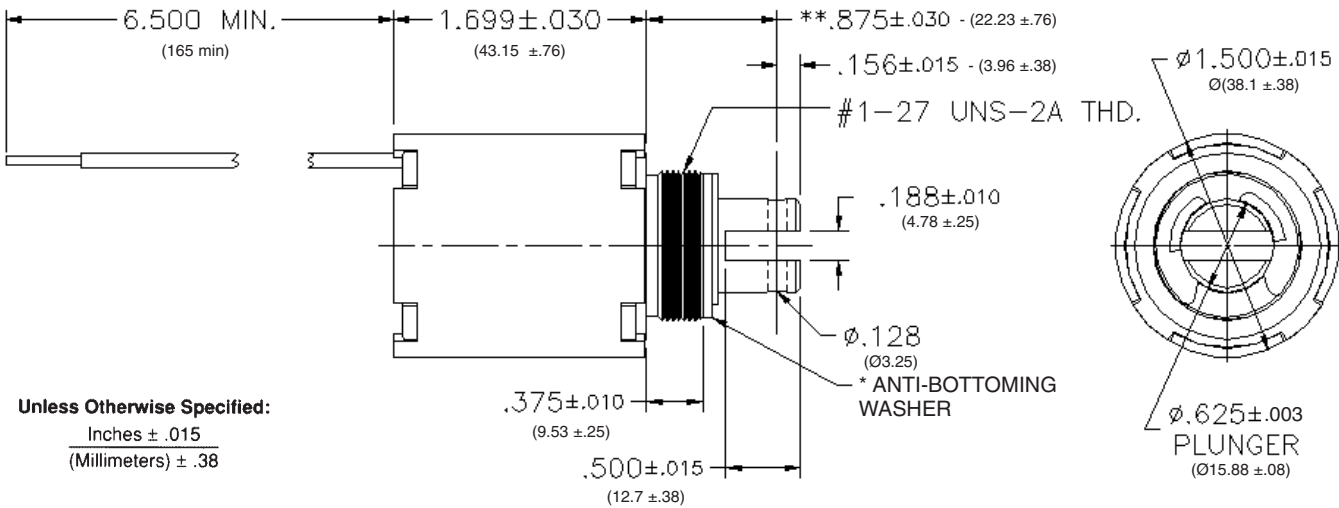


MED-24x1.7

TUBULAR SOLENOID

DIMENSIONS



INSULATION MATERIAL:

Class B Rating (standard)

MAXIMUM OPERATING TEMPERATURE:

Class B – 130°C (265°F)

DIELECTRIC STRENGTH:

30 Volts and Under: 500 VRMS

Over 30 Volts: 1,000 VRMS for one minute

STANDARD POWER RATINGS:

DUTY	NOMINAL DC POWER
Continuous	12 W
Intermittent	33 W
Pulse	120 W

UL INFORMATION:

UL File No. E57982 For Continuous Duty

UL File No. E74443 For Insulation Systems
 S130

WEIGHT:

Plunger – 2.6 Oz.

Total – 11.1 Oz.

PLUNGER GUIDE MATERIAL:

Brass (standard)

LIFE EXPECTANCY:

10⁷ Cycles Under Optimum Load Conditions

TERMINATION:

Vinyl Wire Leads 20 AWG (standard)

PLUNGER CONE ANGLE:

60 degrees (standard)

also available flat, 90 degrees, custom

PULL TYPE MAXIMUM DIMENSIONS:

Length 2.805 In.

Diameter ∅1.515 In.

Plunger Diameter ∅.628 In.

MAXIMUM STROKE:

.800 In.

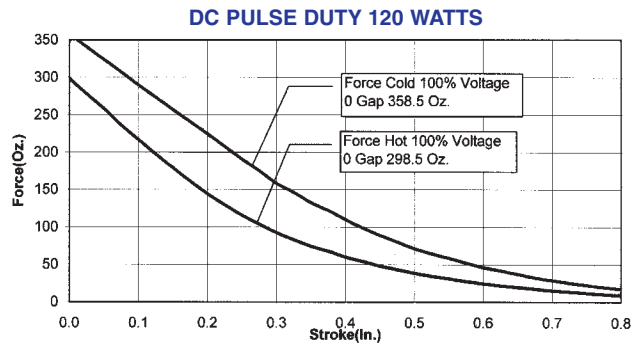
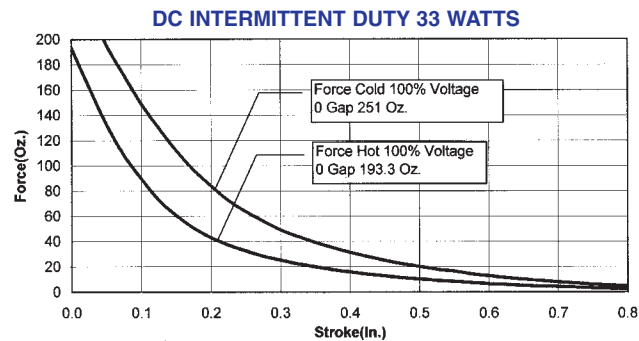
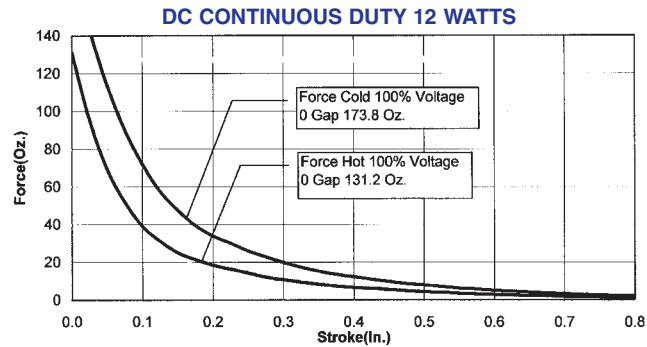
MED-24x1.7 STANDARD COIL RATING

VOLTAGE	CONTINUOUS DUTY	RESISTANCE ±10%	INTERMITTENT DUTY	RESISTANCE ±10%	PULSE DUTY	RESISTANCE ±10%
PULL TYPE UNITS						
	P/N		P/N		P/N	
6 VDC	53797-80	3 OHMS	53797-84	1.09 OHMS	—	—
12 VDC	53797-81*	12 OHMS	53797-85*	4.36 OHMS	53797-88	1.2 OHMS
24 VDC	53797-82*	48 OHMS	53797-86*	17.5 OHMS	53797-89	4.8 OHMS
110 VDC	53797-83	1008 OHMS	53797-87	366.7 OHMS	53797-90	100.8 OHMS
PUSH TYPE UNITS						
6 VDC	53798-80	3 OHMS	53798-84	1.09 OHMS	—	—
12 VDC	53798-81	12 OHMS	53798-85	4.36 OHMS	53798-88	1.2 OHMS
24 VDC	53798-82	48 OHMS	53798-86	17.5 OHMS	53798-89	4.8 OHMS
110 VDC	53798-83	1008 OHMS	53798-87	366.7 OHMS	53798-90	100.8 OHMS

*Black Items Are Normally Stocked.

Purple Items Are Non Stock – Minimum Quantity May Be Required.

MED 24x1.7 TYPICAL FORCE CURVES (CLASS B)



Standard intermittent duty cycle at nominal voltage is one (1) minute "ON" and three (3) minutes "OFF". Standard pulse duty cycle is 100 milliseconds "ON" and 900 milliseconds "OFF"

NOTE: Cold Force @ 25°C (77°F) Coil Temperature.
Hot Force @ 130°C (266°F) Coil Temperature.

NOTE: Approx. 36 sq. in. Heat Sink Required.