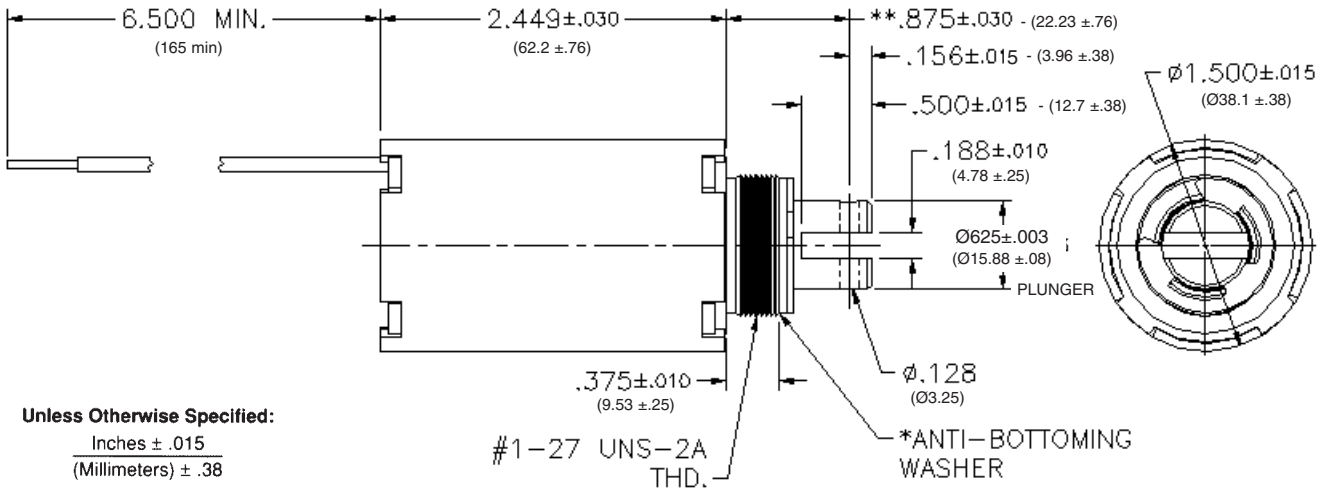




# MED-24x2.4

## TUBULAR SOLENOID

### DIMENSIONS



### INSULATION MATERIAL:

Class B Rating (standard)

### MAXIMUM OPERATING TEMPERATURE:

Class B – 130°C (265°F)

### DIELECTRIC STRENGTH:

30 Volts and Under: 500 VRMS

Over 30 Volts: 1,000 VRMS for one minute

### STANDARD POWER RATINGS:

DUTY	NOMINAL DC POWER
Continuous	14 W
Intermittent	40 W
Pulse	140 W

### UL INFORMATION:

UL File No. E57982 For Continuous Duty

UL File No. E74443 For Insulation Systems  
 S130

### WEIGHT:

Plunger – 3.7 Oz.

Total – 15.1 Oz.

### PLUNGER GUIDE MATERIAL:

Brass (standard)

### LIFE EXPECTANCY:

10<sup>7</sup> Cycles Under Optimum Load Conditions

### TERMINATION:

Vinyl Wire Leads 20 AWG (standard)

### PLUNGER CONE ANGLE:

60 degrees (standard)

also available flat, 90 degrees, custom

### PULL TYPE MAXIMUM DIMENSIONS:

Length 3.55 In.

Diameter ø1.515 In.

Plunger Diameter ø.628 In.

### MAXIMUM STROKE:

1.00 In.

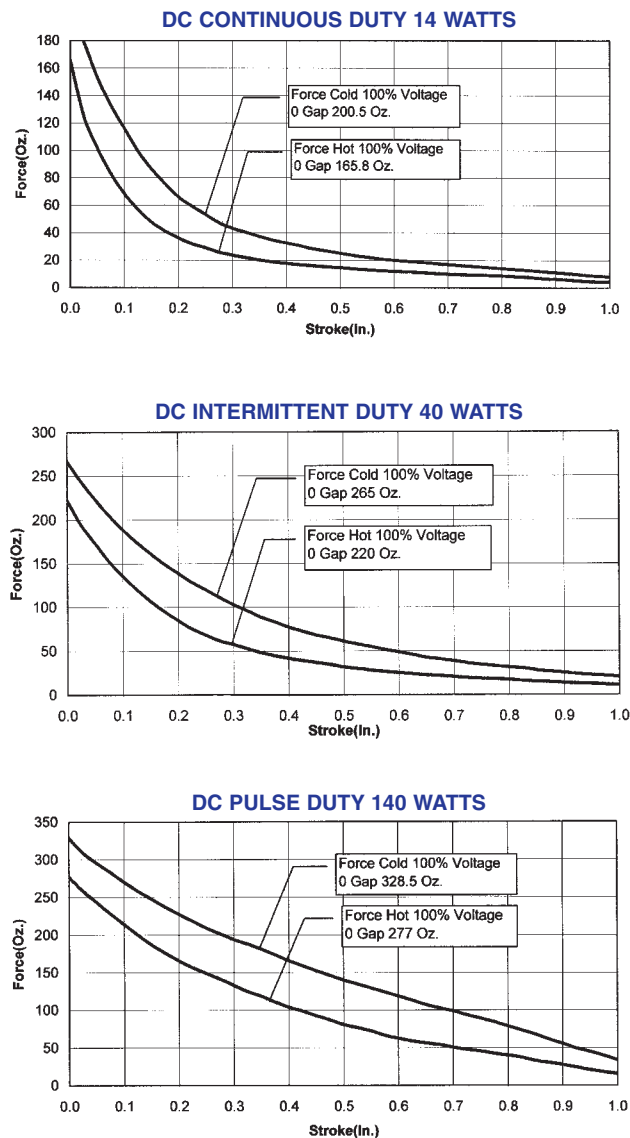
### MED-24x2.4 STANDARD COIL RATING

VOLTAGE	CONTINUOUS DUTY	RESISTANCE ±10%	INTERMITTENT DUTY	RESISTANCE ±10%	PULSE DUTY	RESISTANCE ±10%
<b>PULL TYPE UNITS</b>						
	<b>P/N</b>		<b>P/N</b>		<b>P/N</b>	
6 VDC	53795-80	2.57 OHMS	53795-84	.9 OHMS	—	—
12 VDC	53795-81*	10.3 OHMS	53795-85*	3.6 OHMS	53795-88	1.03 OHMS
24 VDC	53795-82*	41.1 OHMS	53795-86*	14.4 OHMS	53795-89	4.11 OHMS
110 VDC	53795-83	864 OHMS	53795-87	302.5 OHMS	53795-90	86.4 OHMS
<b>PUSH TYPE UNITS</b>						
6 VDC	53796-80	2.57 OHMS	53796-84	.9 OHMS	—	—
12 VDC	53796-81	10.3 OHMS	53796-85	3.6 OHMS	53796-88	1.03 OHMS
24 VDC	53796-82	41.1 OHMS	53796-86	14.4 OHMS	53796-89	4.11 OHMS
110 VDC	53796-83	864 OHMS	53796-87	302.5 OHMS	53796-90	86.4 OHMS

\*Black Items Are Normally Stocked.

Purple Items Are Non Stock – Minimum Quantity May Be Required.

### MED 24x2.4 TYPICAL FORCE CURVES (CLASS B)



Standard intermittent duty cycle at nominal voltage is one (1) minute "ON" and three (3) minutes "OFF". Standard pulse duty cycle is 100 milliseconds "ON" and 900 milliseconds "OFF"

NOTE: Cold Force @ 25°C (77°F) Coil Temperature.  
Hot Force @ 130°C (266°F) Coil Temperature.

NOTE: Approx. 36 sq. in. Heat Sink Required.