

# MED 12x1.500



## TUBULAR FRAME SOLENOID

Two position linear solenoid with tubular construction.



### Features

- High performance construction
- DC solenoids applications only
- Standard push and pull versions available
- UL approval on many models



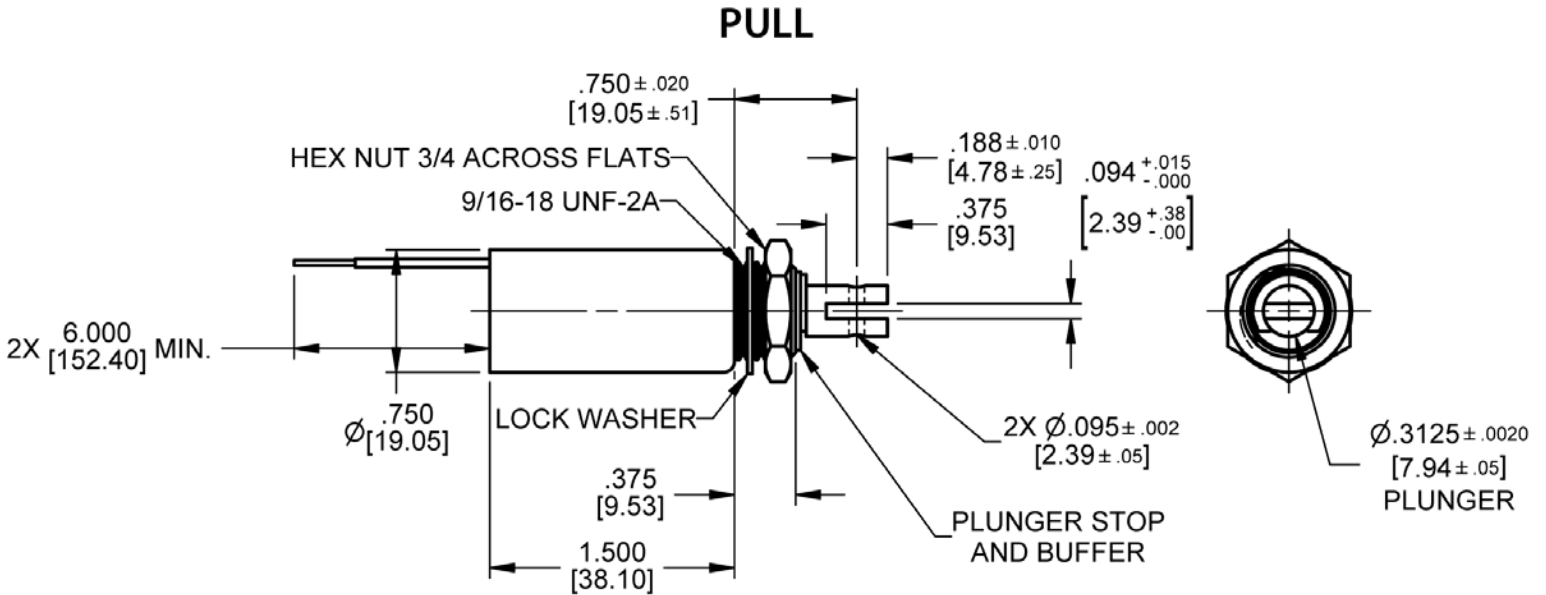
Electrical Specifications	
Coil Voltages	6, 12, 24, 115 VDC
Coil Power	6 Watts Continuous, 15 Watts Intermittent, 58 Watts Pulse
Coil Termination	Wire leads 24 AWG (standard)
Duty Cycle	Continuous, intermittent, pulse (see standard part numbers on page 4)
Coil Treatment	Tape wrapped
Insulation Class	Class A Rating - 105°C (221°F) Max.
Dielectric Strength	30 Volts and Under: 500 VRMS Over 30 Volts: 1000 VRMS plus 2X rated voltage for 1 minute
Mechanical Specifications	
Size	1.500" (L) x Ø0.750" (D)
Forces	See force curves on page 3
Plunger Diameter	Ø.3125"
Plunger Guide Material	Plastic
Mounting	0.750" Hex Nut
Weight	Plunger - 0.75 oz., Total - 2.56 oz.
Life Expectancy	250,000 Cycles (Dependent on load conditions)
Agency Approvals	
	UL File No. E57982 For Continuous Duty UL File No. E74443 For Insulation Systems S105

All dimensions in Inches

# MED 12x1.500

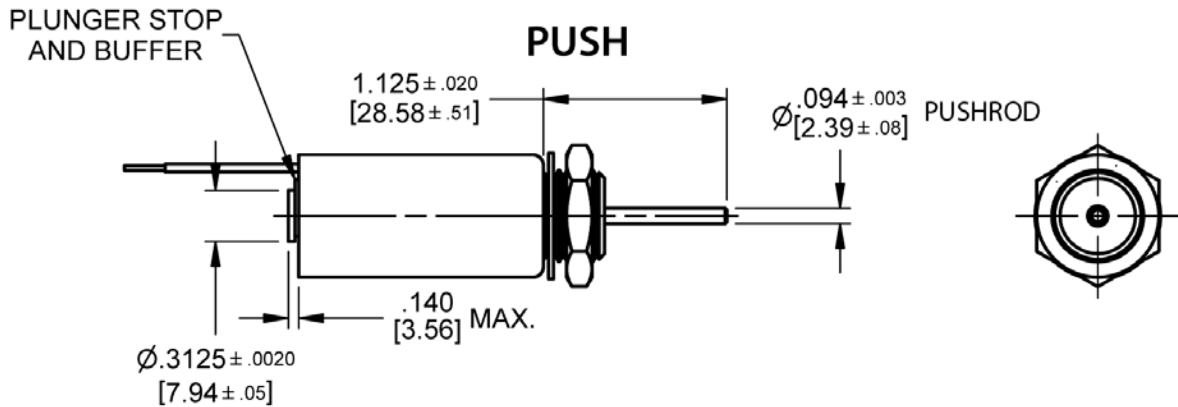
## Dimensional View

Units: Inches [mm]



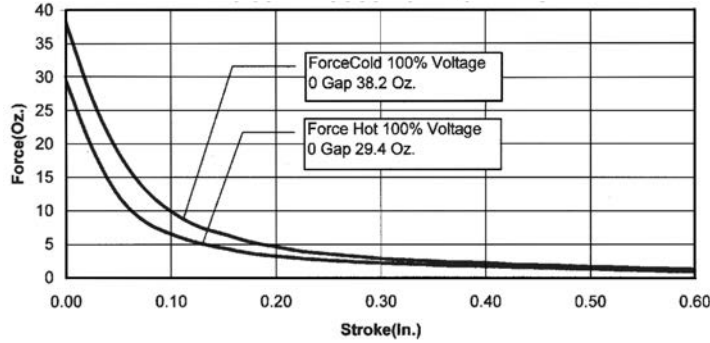
**UNLESS OTHERWISE SPECIFIED**

INCHES ± .015  
(MILLIMETERS 0.38)

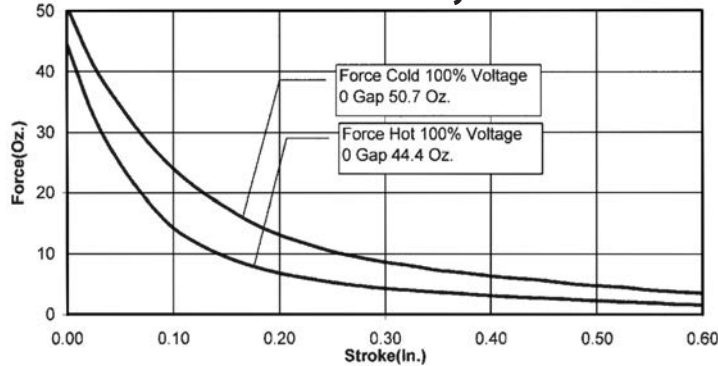


## Force Curves

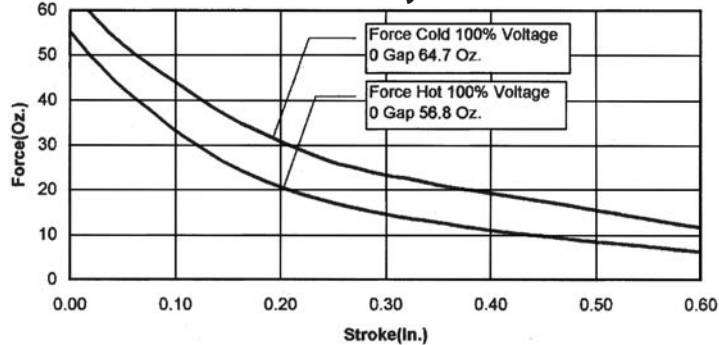
### DC Continuous Duty - 6 Watts



### DC Intermittent Duty - 15 Watts



### DC Pulse Duty - 58 Watts



Standard intermittent duty cycle at nominal voltage is one (1) minute "ON" and three (3) minutes "OFF". Standard pulse duty cycle is 100 milliseconds "ON" and 900 milliseconds "OFF".

Note:

Cold Force @ 25°C (77°F) Cold Temperature  
Hot Force @ 130°C (266°F) Coil Temperature  
Approx. 16 sq. in. Heat Sink Required

# MED 12x1.500



## Standard Part Numbers

Parts No.	Voltage	Duty Cycle	Power	Resistance (Ohms)	Operation	Typical Force (oz). 100% Voltage, 77° F, Stroke @				
						0.000"	0.125"	0.250"	0.500"	0.750"
53751-80	6 VDC	Continuous	6 Watts	6.2	Pull	38	7.5	3	1.5	0
53761-80	6 VDC			6.2	Push					
53751-81*	12 VDC			25	Pull					
53761-81*	12 VDC			25	Push					
53751-82*	24 VDC			100	Pull					
53761-82*	24 VDC			100	Push					
53751-84	115 VDC			2500	Pull					
53761-84	115 VDC			2500	Push					
53751-86	6 VDC	Intermittent	15 Watts	2.5	Pull	50	20	10	4	0
53761-86	6 VDC			2.5	Push					
53751-87*	12 VDC			10	Pull					
53761-87*	12 VDC			10	Push					
53751-88*	24 VDC			40	Pull					
53761-88*	24 VDC			40	Push					
53751-90	115 VDC			1000	Pull					
53761-90	115 VDC			1000	Push					
53751-92	6 VDC	Pulse	58 Watts	0.62	Pull	64	40	26	16	0
53761-92	6 VDC			0.62	Push					
53751-93	12 VDC			2.5	Pull					
53761-93	12 VDC			2.5	Push					
53751-94	24 VDC			10	Pull					
53761-94	24 VDC			10	Push					
53751-96	115 VDC			250	Pull					
53761-96	115 VDC			250	Push					

(\*) Normally Stocked

Non stocked items require a minimum order