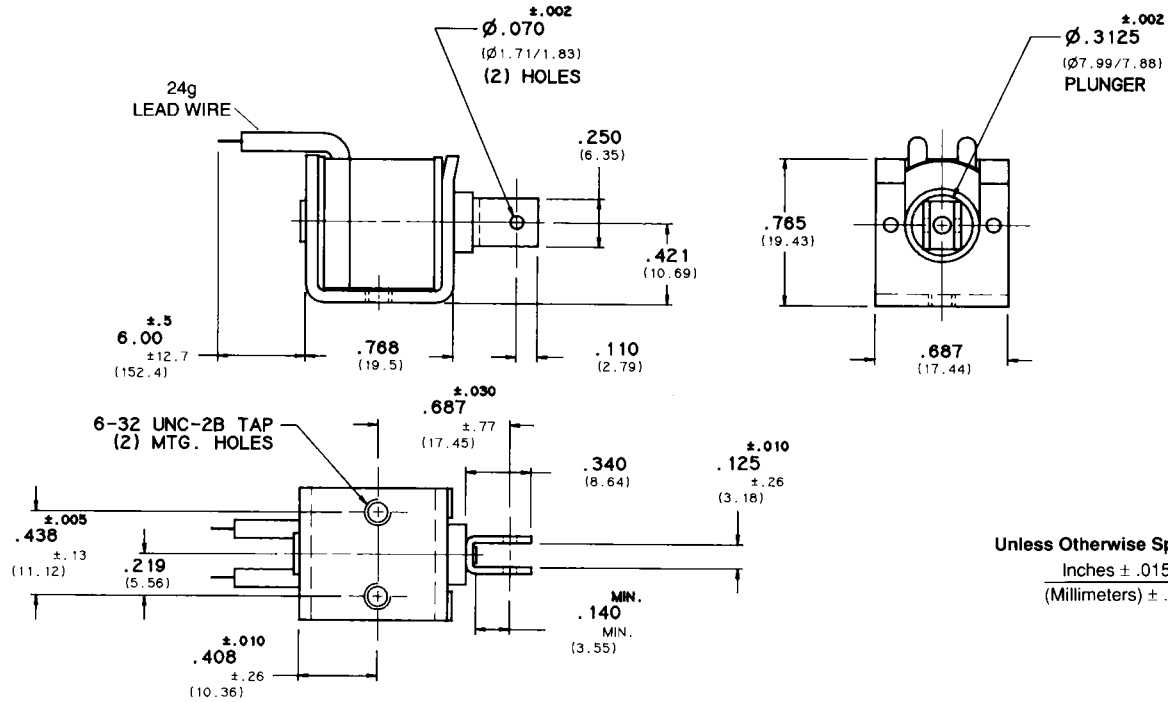




C-4 "C" FRAME SOLENOID

DIMENSIONS



Unless Otherwise Specified:
 Inches $\pm .015$
 (Millimeters) $\pm .38$

COIL TREATMENT:

Tape Wrapped.
 Class A Rating (standard)

MAXIMUM OPERATING TEMPERATURE:

Class A – 105°C (221°F)

DIELECTRIC STRENGTH:

30 Volts and Under: 500 VRMS
 Over 30 Volts: 1,000 VRMS plus 2x rated voltage for one minute

STANDARD POWER RATINGS:

DUTY	NOMINAL AC POWER (SEATED)	NOMINAL DC POWER
Continuous	4.5 VA	3.5 W
Intermittent	12 VA	8 W
Pulse	45 VA	35 W

UL INFORMATION:

UL File No. E57982 For Continuous Duty
 UL File No. E74443 For Insulation Systems
 S105

WEIGHT:

Plunger – .25 Oz.
 Total – 1 Oz.

PLUNGER GUIDE MATERIAL:

Plastic

LIFE EXPECTANCY:

10^7 Cycles Under Optimum Load Conditions

TERMINATION:

Wire Leads 24 AWG (standard)

PLUNGER CONE ANGLE (DC):

60 degrees (standard)
 also available
 flat, 90 degrees, custom

MAXIMUM DIMENSIONS:

Length .783 In.
 Width .702 In.
 Height .780 In.
 Plunger Diameter $\phi .315$ In.

MAXIMUM STROKE:

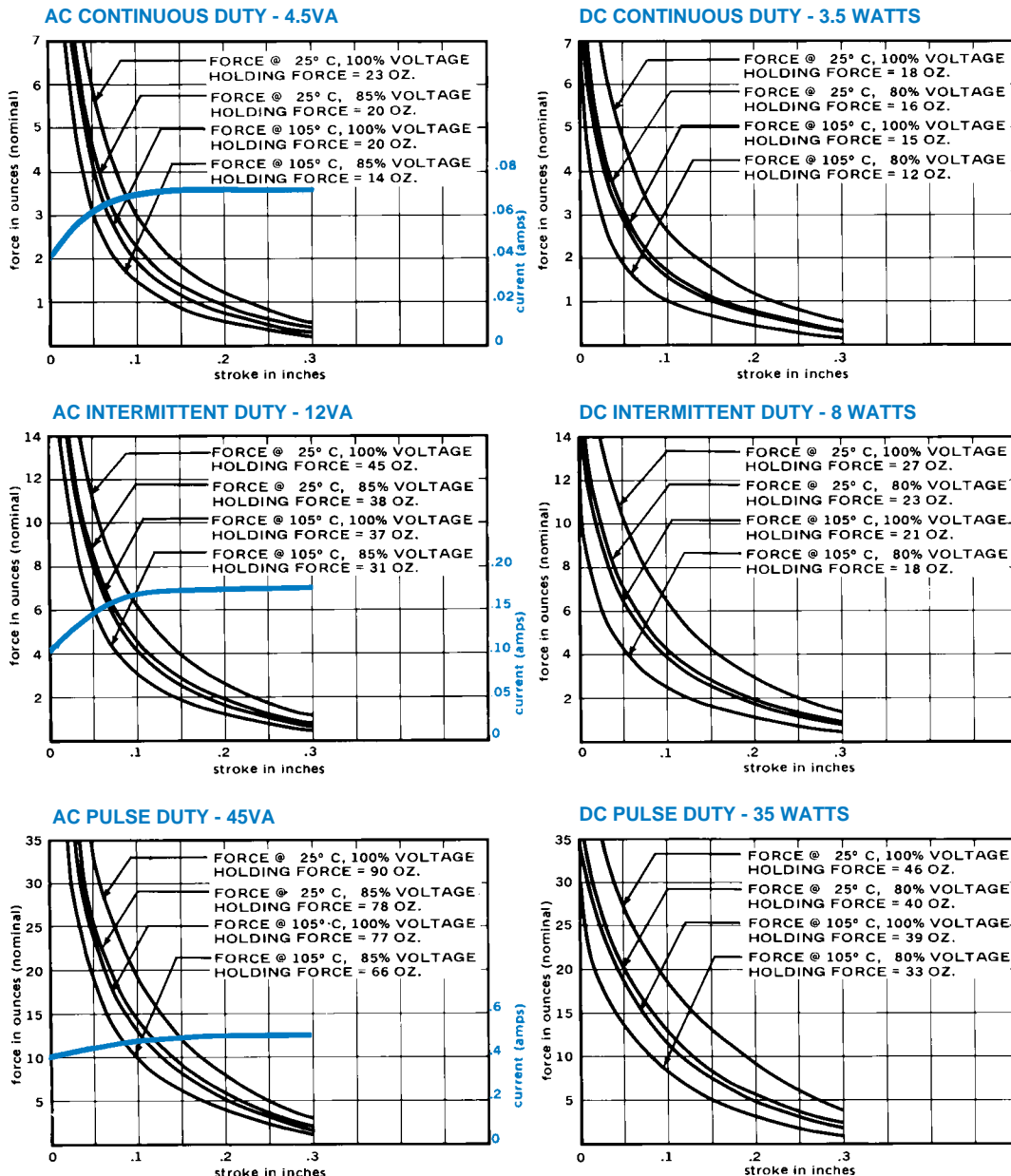
.300 In.

C-4 STANDARD COIL RATING

AC COILS (60 Hz)		P/N		P/N		P/N	
6 VAC	53645-80	3.70 OHMS	53646-80	1.55 OHMS	53787-80	.58 OHMS	
12 VAC	53645-81	14.9 OHMS	53646-81	6.30 OHMS	53787-81	2.34 OHMS	
24 VAC	53645-83	60.5 OHMS	53646-83	25.4 OHMS	53787-83	9.2 OHMS	
120 VAC	53645-94	1530 OHMS	53646-94	664 OHMS	53787-94	231 OHMS	
240 VAC	53645-97	6120 OHMS	53646-97	2660 OHMS	53787-97	932 OHMS	
DC COILS							
6 VDC	53648-80	10.5 OHMS	53649-80	4.34 OHMS	53752-80	1.06 OHMS	
12 VDC	53648-81	42 OHMS	53649-81	17.4 OHMS	53752-81	4.3 OHMS	
24 VDC	53648-83	167 OHMS	53649-83	71.0 OHMS	53752-82	17.4 OHMS	
110 VDC	53648-93	3400 OHMS	53649-93	1460 OHMS	53752-84	363 OHMS	

Non Stock – Minimum Quantity May Be Required.

C-4 FORCE CURVES (CLASS A)



Standard intermittent duty cycle at nominal voltage is 25%, with 1 minute maximum "ON" and 3 minutes minimum "OFF" in a repetitive cycle. Standard Pulse duty cycle is 10% with 100 milliseconds "ON" and 900 milliseconds "OFF".

NOTE: Approx. 36 sq. in. Heat Sink Required.