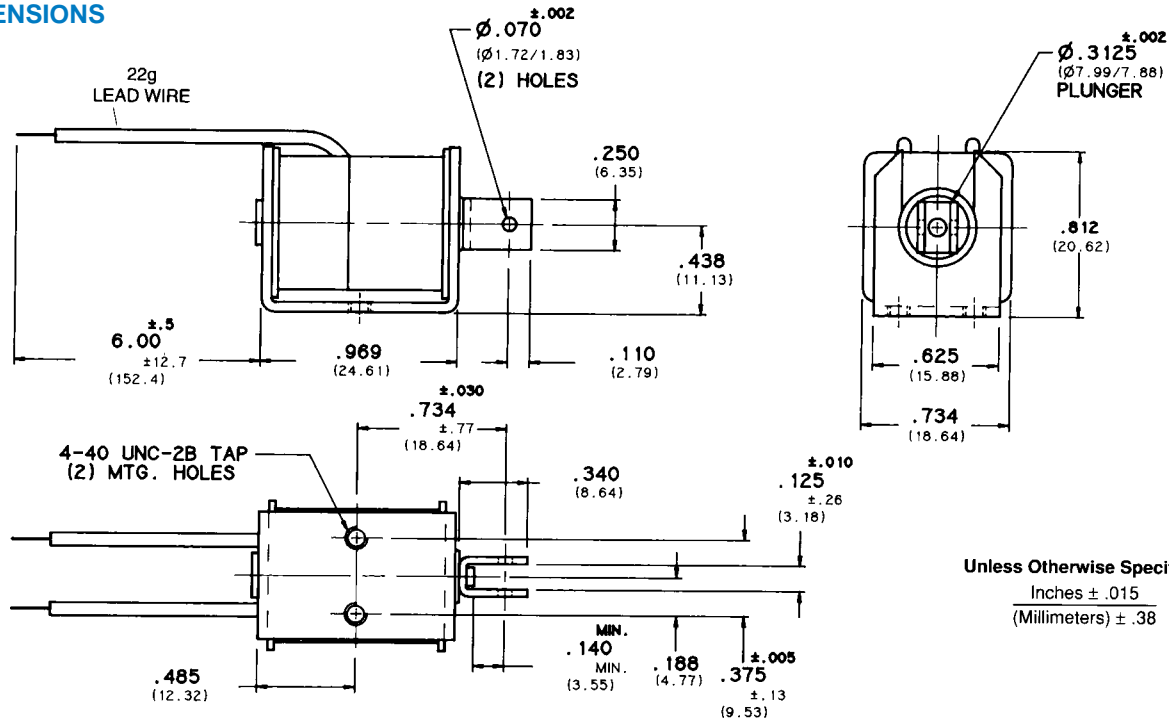




C-5 "C" FRAME SOLENOID

DIMENSIONS



Unless Otherwise Specified:
 Inches ± .015
 (Millimeters) ± .38

COIL TREATMENT:

Tape Wrapped.
 Class A Rating (standard)

MAXIMUM OPERATING TEMPERATURE:

Class A – 105°C (221°F)

DIELECTRIC STRENGTH:

30 Volts and Under: 500 VRMS
 Over 30 Volts: 1,000 VRMS plus 2x rated voltage for one minute

STANDARD POWER RATINGS:

DUTY	NOMINAL AC POWER (SEATED)	NOMINAL DC POWER
Continuous	4.7 VA	3.7 W
Intermittent	14 VA	11 W
Pulse	47 VA	42 W

UL INFORMATION:

UL File No. E57982 For Continuous Duty
 UL File No. E74443 For Insulation Systems
 S105

WEIGHT:

Plunger – .317 Oz.
 Total – 1.5 Oz.

PLUNGER GUIDE MATERIAL:

Plastic

LIFE EXPECTANCY:

10⁷ Cycles Under Optimum Load Conditions

TERMINATION:

Wire Leads 22 AWG (standard)

PLUNGER CONE ANGLE (DC):

60 degrees (standard)
 also available flat, 90 degrees, custom
 Buzz Trimmer (AC) (optional)

MAXIMUM DIMENSIONS:

Length .984 In.
 Width .749 In.
 Height .827 In.
 Plunger Diameter Ø.315 In.

MAXIMUM STROKE:

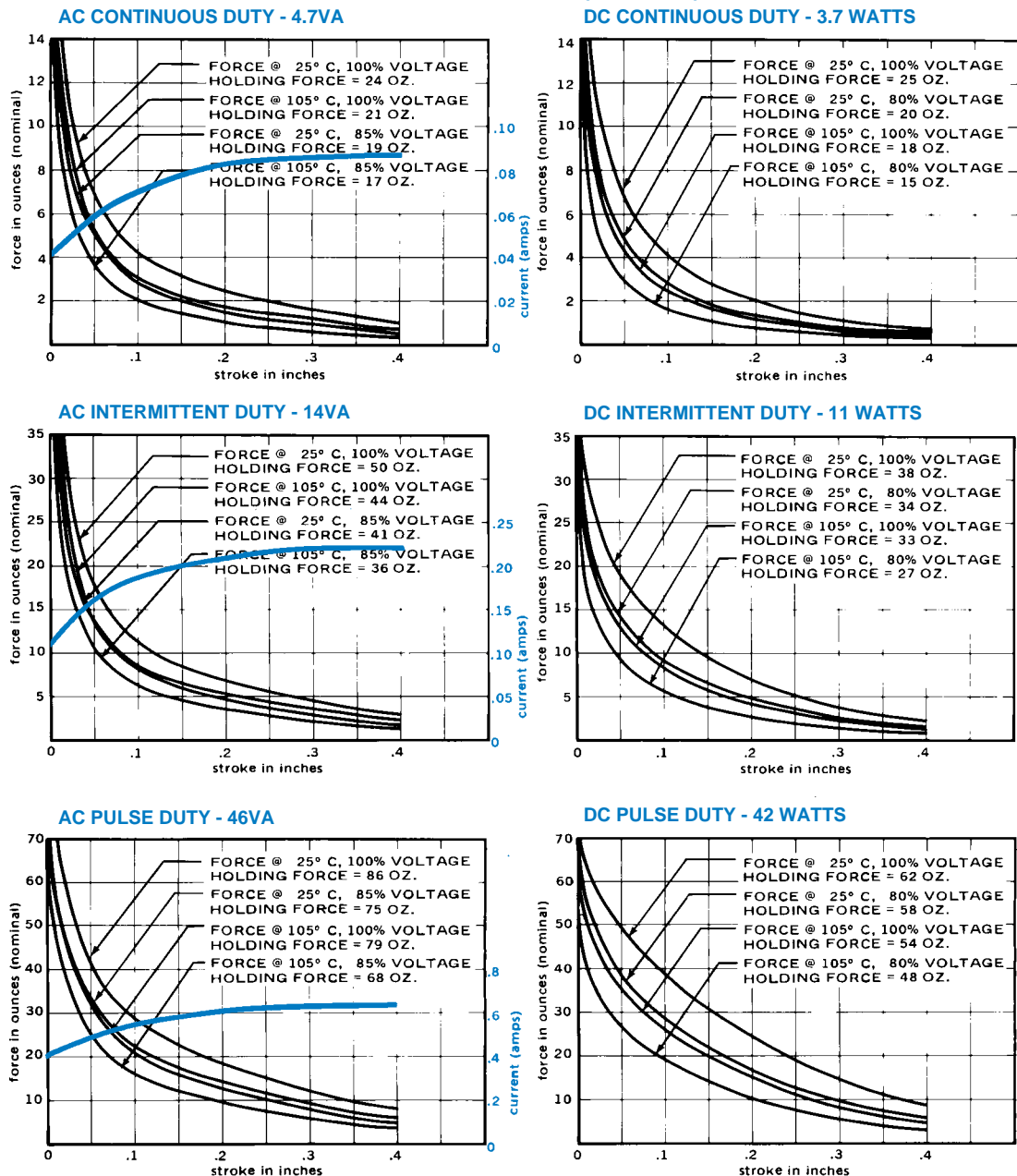
.400 In.

C-5 STANDARD COIL RATING

VOLTAGE	CONTINUOUS DUTY	RESISTANCE AC ±10% DC ±5%	INTERMITTENT DUTY	RESISTANCE AC ±10% DC ±5%	PULSE DUTY	RESISTANCE AC ±10% DC ±5%
AC COILS (60 Hz)	P/N		P/N		P/N	
6 VAC	53747-80	3.23 OHMS	53747-86	1.15 OHMS	53747-92	.445 OHMS
12 VAC	53747-81	13.1 OHMS	53747-87	4.76 OHMS	53747-93	1.77 OHMS
24 VAC	53747-82	52.1 OHMS	53747-88	19.1 OHMS	53747-94	7.0 OHMS
120 VAC	53747-84	1273 OHMS	53747-90	480 OHMS	53747-96	183 OHMS
240 VAC	53747-85	5100 OHMS	53747-91	1940 OHMS	53747-97	738 OHMS
DC COILS						
6 VDC	53746-80	10.4 OHMS	53746-86	3.23 OHMS	53746-92	.80 OHMS
12 VDC	53746-81	41.6 OHMS	53746-87	13.1 OHMS	53746-93	3.23 OHMS
24 VDC	53746-82	168 OHMS	53746-88	52.1 OHMS	53746-94	13.1 OHMS
110 VDC	53746-84	3265 OHMS	53746-90	1125 OHMS	53746-96	282 OHMS

Non Stock – Minimum Quantity May Be Required.

C-5 FORCE CURVES (CLASS A)



Standard intermittent duty cycle at nominal voltage is 25%, with 1 minute maximum "ON" and 3 minutes minimum "OFF" in a repetitive cycle. Standard Pulse duty cycle is 10% with 100 milliseconds "ON" and 900 milliseconds "OFF".