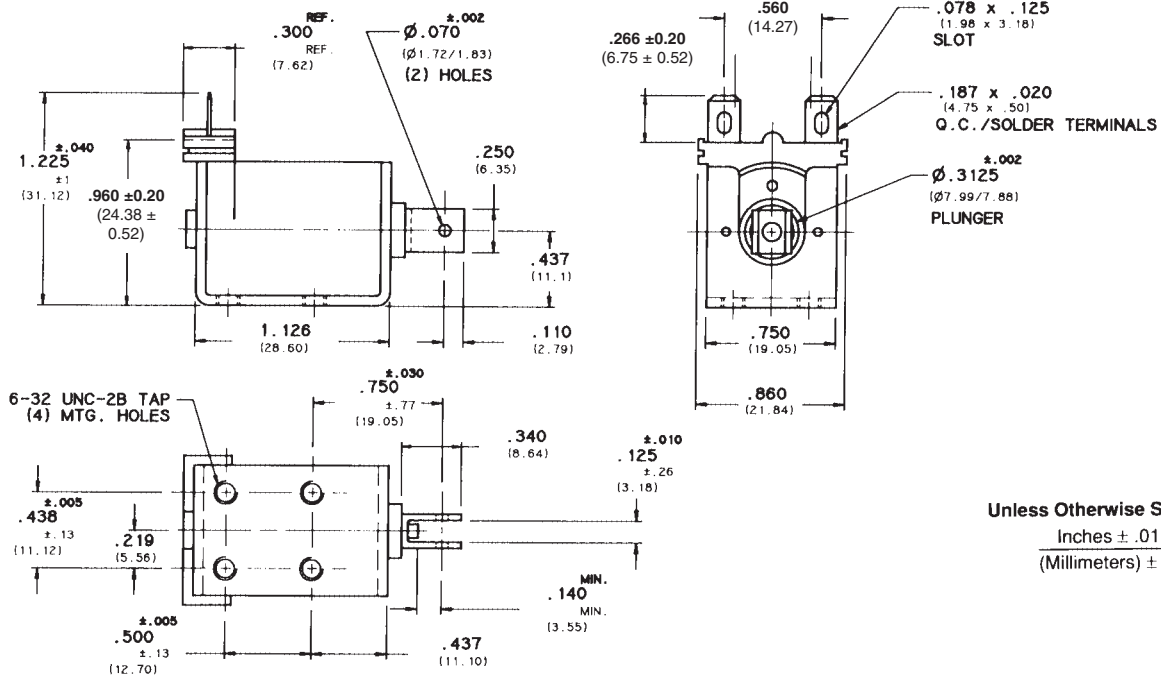


# C-6 "C" FRAME SOLENOID

## DIMENSIONS



Unless Otherwise Specified:

Inches  $\pm .015$   
(Millimeters)  $\pm .38$

### COIL TREATMENT:

Plastic Encapsulation.  
Class A Rating (standard)  
Class F Rating (optional)

### MAXIMUM OPERATING TEMPERATURE:

Class A – 105°C (221°F)  
Class F – 155°C (311°F)

### DIELECTRIC STRENGTH:

30 Volts and Under: 500 VRMS  
Over 30 Volts: 1,000 VRMS plus 2x rated voltage for one minute

### STANDARD POWER RATINGS:

DUTY	NOMINAL AC POWER (SEATED)	NOMINAL DC POWER
Continuous	6.8 VA	4.7 W
Intermittent	19.6 VA	12 W
Pulse	68 VA	45 W

### UL INFORMATION:

UL File No. E57982 For Continuous Duty  
UL File No. E74443 For Insulation Systems  
S105, S130, S130D, S130D1 & S155D

### WEIGHT:

Plunger – .317 Oz.  
Total – 1.5 Oz.

### PLUNGER GUIDE MATERIAL:

Plastic

### LIFE EXPECTANCY:

10<sup>7</sup> Cycles Under Optimum Load Conditions

### TERMINATION:

.187 In. Quick-Connect/Solder Lug (standard)  
.250 In. Quick-Connects (optional)  
Wire Leads (optional with tape-wrapped coils)

### PLUNGER CONE ANGLE (DC):

60 degrees (standard)  
also available flat, 90 degrees, custom  
Buzz Trimmer (AC) (optional)

### MAXIMUM DIMENSIONS:

Length 1.141 In.  
Width .875 In.  
Height 1.265 In.  
Plunger Diameter  $\phi .315$  In.

### MAXIMUM STROKE:

.500 In.

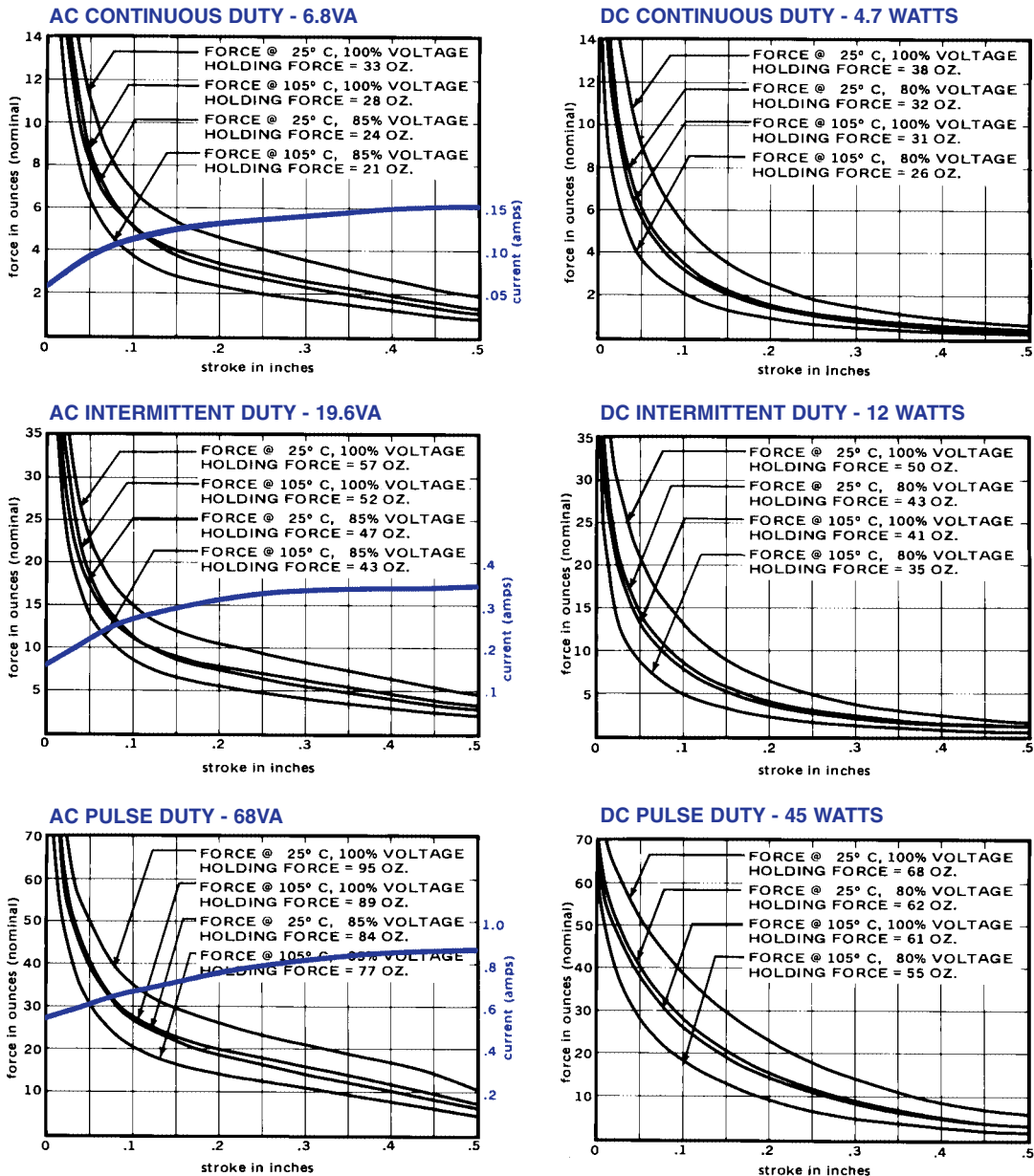
### C-6 STANDARD COIL RATING

VOLTAGE	CONTINUOUS DUTY	RESISTANCE AC ±10% DC ±5%	INTERMITTENT DUTY	RESISTANCE AC ±10% DC ±5%	PULSE DUTY	RESISTANCE AC ±10% DC ±5%
<b>AC COILS (60 Hz)</b>	<b>P/N</b>		<b>P/N</b>		<b>P/N</b>	
6 VAC	53687-80	1.92 OHMS	53688-80	.78 OHMS	53743-80	.30 OHMS
12 VAC	53687-81	7.6 OHMS	53688-81	3.2 OHMS	53743-81	1.18 OHMS
24 VAC	53687-83	30.6 OHMS	53688-83	13 OHMS	53743-82	5.0 OHMS
120 VAC	53687-94*	776 OHMS	53688-94*	327 OHMS	53743-83	124 OHMS
240 VAC	53687-97	3070 OHMS	53688-97	1370 OHMS	53743-84	493 OHMS
<b>DC COILS</b>						
6 VDC	53685-80	7.6 OHMS	53686-80	3.2 OHMS	53745-80	.78 OHMS
12 VDC	53685-81	30.6 OHMS	53686-81	13 OHMS	53745-81	3.2 OHMS
24 VDC	53685-83*	124 OHMS	53686-83*	50.8 OHMS	53745-82	13 OHMS
110 VDC	53685-93	2670 OHMS	53686-93	1011 OHMS	53745-84	271 OHMS
220 VDC	53685-97	11.200 OHMS	53686-97	4050 OHMS	53745-85	1140 OHMS

\*Black Items Are Normally Stocked.

Purple Items Are Non Stock – Minimum Quantity May Be Required.

### C-6 FORCE CURVES (CLASS A)



Standard intermittent duty cycle at nominal voltage is 25%, with 1 minute maximum "ON" and 3 minutes minimum "OFF" in a repetitive cycle. Standard Pulse duty cycle is 10% with 100 milliseconds "ON" and 900 milliseconds "OFF".

NOTE: Approx. 36 sq. in. Heat Sink Required.