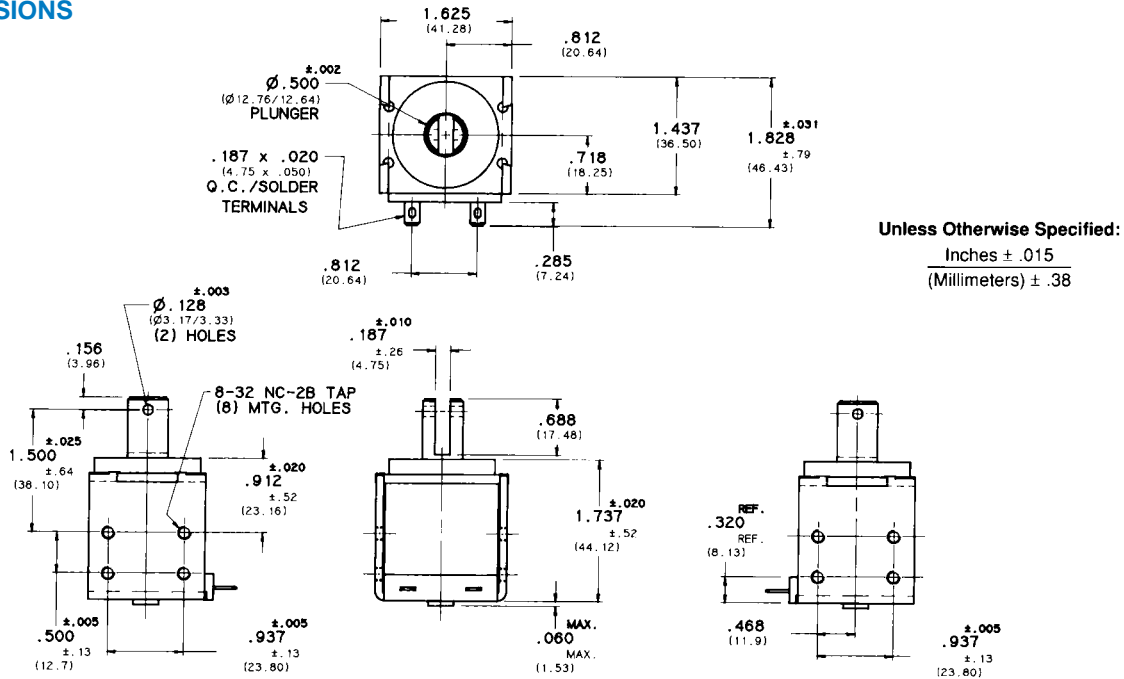




# D-3HD "D" FRAME SOLENOID

## DIMENSIONS



### COIL TREATMENT:

Plastic Encapsulation.  
 Class A Rating (standard)  
 Class F Rating (optional)

### MAXIMUM OPERATING TEMPERATURE:

Class A – 105°C (221°F)  
 Class F – 155°C (311°F)

### DIELECTRIC STRENGTH:

30 Volts and Under: 500 VRMS  
 Over 30 Volts: 1,000 VRMS plus 2x rated voltage for one minute

### STANDARD POWER RATINGS:

| DUTY         | NOMINAL AC POWER (SEATED) | NOMINAL DC POWER |
|--------------|---------------------------|------------------|
| Continuous   | 21 VA                     | 11 W             |
| Intermittent | 120 VA                    | 27 W             |
| Pulse        | 210 VA                    | 110 W            |

### UL INFORMATION:

UL File No. E57982 For Continuous Duty  
 UL File No. E74443 For Insulation Systems  
 S105, S130, S130D, S130D1 & S155D

### WEIGHT:

Plunger – 1.76 Oz.  
 Total – 11 Oz.

### PLUNGER GUIDE MATERIAL:

Plastic

### LIFE EXPECTANCY:

10<sup>7</sup> Cycles Under Optimum Load Conditions

### TERMINATION:

.187 In. Quick-Connect/Solder Lug (standard)  
 .250 In. Quick-Connects (optional)  
 Wire Leads (optional with tape-wrapped coils)

### PLUNGER CONE ANGLE (DC):

60 degrees (standard)  
 also available flat, 90 degrees, custom

### MAXIMUM DIMENSIONS:

Length 1.757 In.  
 Width 1.859 In.  
 Height 1.640 In.  
 Plunger Diameter  $\varnothing$ .502 In.

### MAXIMUM STROKE:

1.000 In.

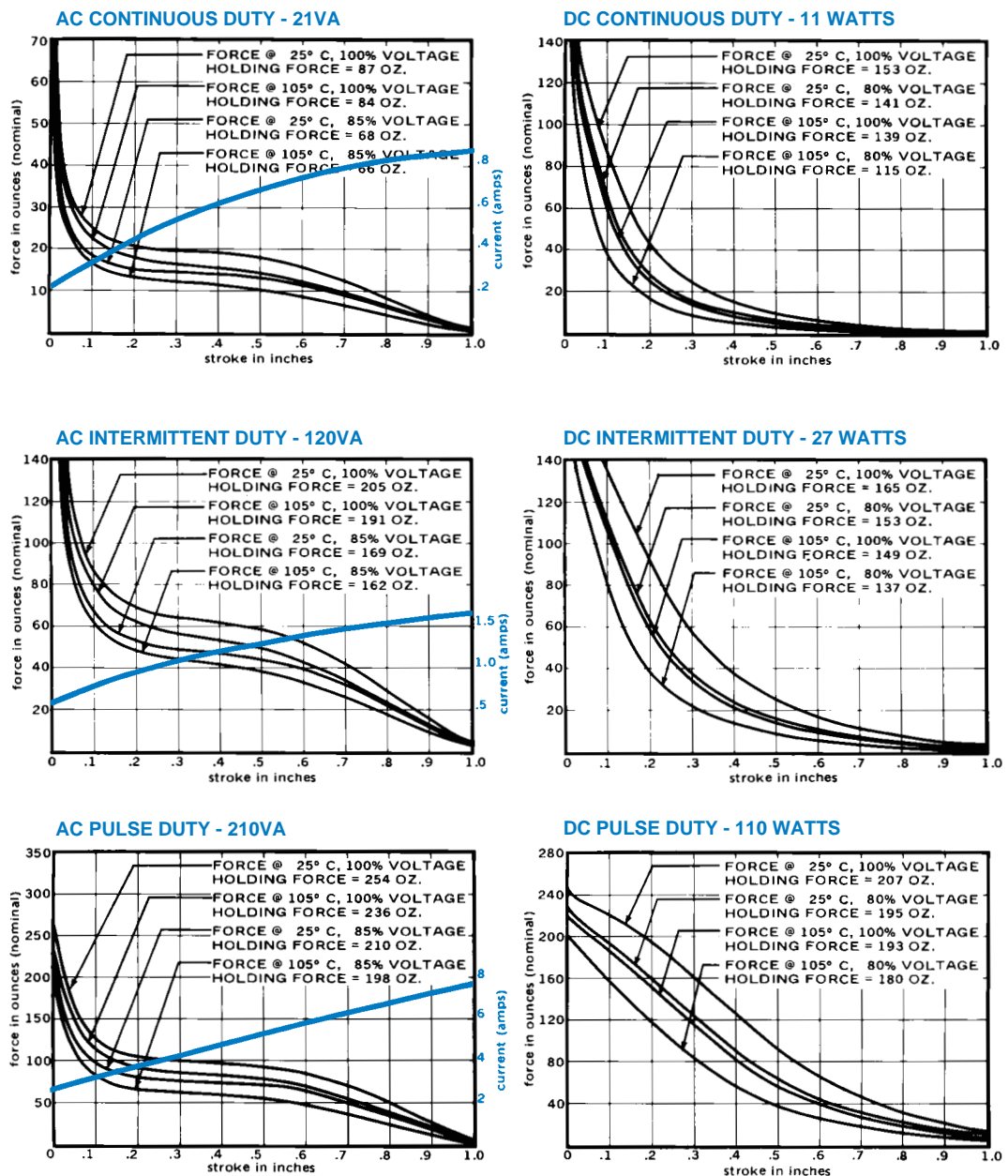
### D-3HD STANDARD COIL RATING

| VOLTAGE                 | CONTINUOUS DUTY | RESISTANCE<br>AC ±10% DC ±5% | INTERMITTENT DUTY | RESISTANCE<br>AC ±10% DC ±5% | PULSE DUTY | RESISTANCE<br>AC ±10% DC ±5% |
|-------------------------|-----------------|------------------------------|-------------------|------------------------------|------------|------------------------------|
| <b>AC COILS (60 Hz)</b> | <b>P/N</b>      |                              | <b>P/N</b>        |                              | <b>P/N</b> |                              |
| 6 VAC                   | 53733-80        | .26 OHMS                     | 53733-86          | —                            | 53733-92   | —                            |
| 12 VAC                  | 53733-81        | 1.05 OHMS                    | 53733-87          | .26 OHMS                     | 53733-93   | —                            |
| 24 VAC                  | 53733-82        | 4.21 OHMS                    | 53733-88          | 1.05 OHMS                    | 53733-94   | .70 OHMS                     |
| 120 VAC                 | 53733-84*       | 109 OHMS                     | 53733-90*         | 27.6 OHMS                    | 53733-96   | 18.0 OHMS                    |
| 240 VAC                 | 53733-85        | 446 OHMS                     | 53733-91          | 109 OHMS                     | 53733-97   | 73.8 OHMS                    |
| <b>DC COILS</b>         |                 |                              |                   |                              |            |                              |
| 6 VDC                   | 53732-80        | 3.13 OHMS                    | 53732-86          | 1.31 OHMS                    | 53732-92   | .323 OHMS                    |
| 12 VDC                  | 53732-81*       | 12.8 OHMS                    | 53732-87*         | 5.27 OHMS                    | 53732-93   | 1.31 OHMS                    |
| 24 VDC                  | 53732-82*       | 51.5 OHMS                    | 53732-88*         | 21.4 OHMS                    | 53732-94   | 5.27 OHMS                    |
| 110 VDC                 | 53732-84        | 1100 OHMS                    | 53732-90          | 463 OHMS                     | 53732-96   | 109 OHMS                     |

\*Black Items Are Normally Stocked.

Blue Items Are Non Stock – Minimum Quantity May Be Required.

### D-3HD FORCE CURVES (CLASS A)



Standard intermittent duty cycle at nominal voltage is 25%, with 3 minutes maximum "ON" and 9 minutes minimum "OFF" in a repetitive cycle. Standard Pulse duty cycle is 10% with 100 milliseconds "ON" and 900 milliseconds "OFF".

NOTE: Approx. 36 sq. in. Heat Sink Required.