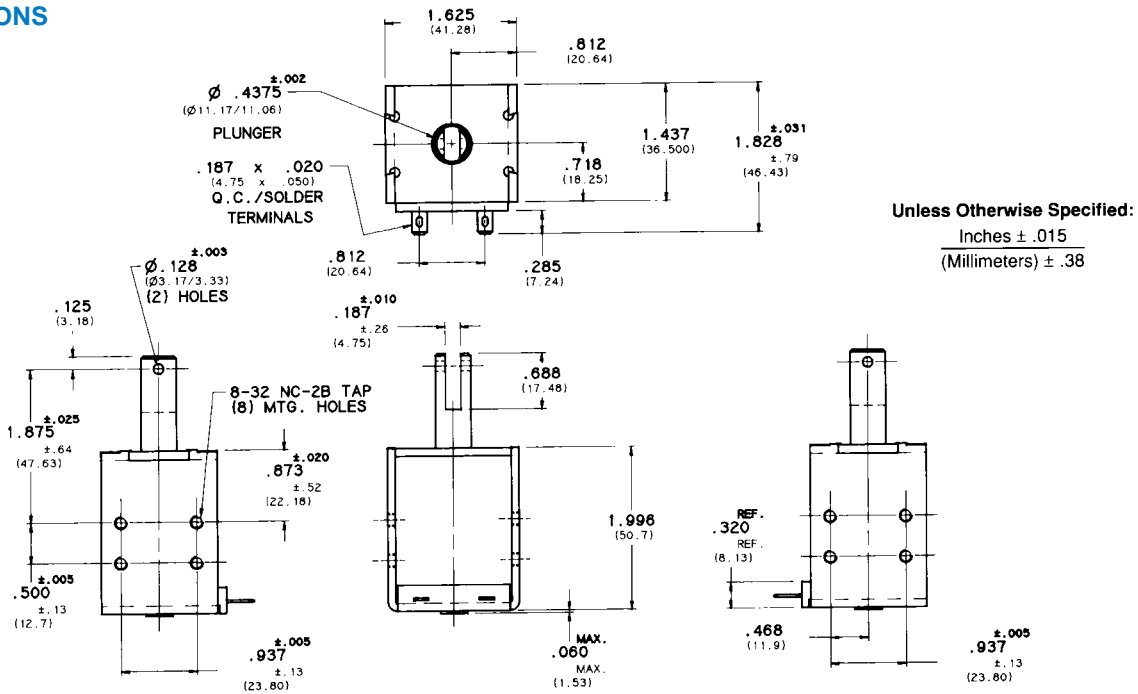


D-4 "D" FRAME SOLENOID

DIMENSIONS



COIL TREATMENT:

Plastic Encapsulation.
 Class A Rating (standard)
 Class F Rating (optional)

MAXIMUM OPERATING TEMPERATURE:

Class A – 105°C (221°F)
 Class F – 155°C (311°F)

DIELECTRIC STRENGTH:

30 Volts and Under: 500 VRMS
 Over 30 Volts: 1,000 VRMS plus 2x rated
 voltage for one minute

STANDARD POWER RATINGS:

DUTY	NOMINAL AC POWER (SEATED)	NOMINAL DC POWER
Continuous	10 VA	11.5 W
Intermittent	59 VA	47 W
Pulse	100 VA	105 W

UL INFORMATION:

UL File No. E57982 For Continuous Duty
 UL File No. E74443 For Insulation Systems
 S105, S130, S130D, S130D1 & S155D

WEIGHT:

Plunger – 1.63 Oz.
 Total – 12 Oz.

PLUNGER GUIDE MATERIAL:

Plastic

LIFE EXPECTANCY:

10⁷ Cycles Under Optimum Load Conditions

TERMINATION:

.187 In. Quick-Connect/Solder Lug (standard)
 .250 In. Quick-Connects (optional)
 Wire Leads (optional with tape-wrapped coils)

PLUNGER CONE ANGLE (DC):

60 degrees (standard)
 also available flat, 90 degrees, custom

MAXIMUM DIMENSIONS:

Length 2.011 In.
 Width 1.859 In.
 Height 1.640 In.
 Plunger Diameter ø.4395 In.

MAXIMUM STROKE:

1.000 In.

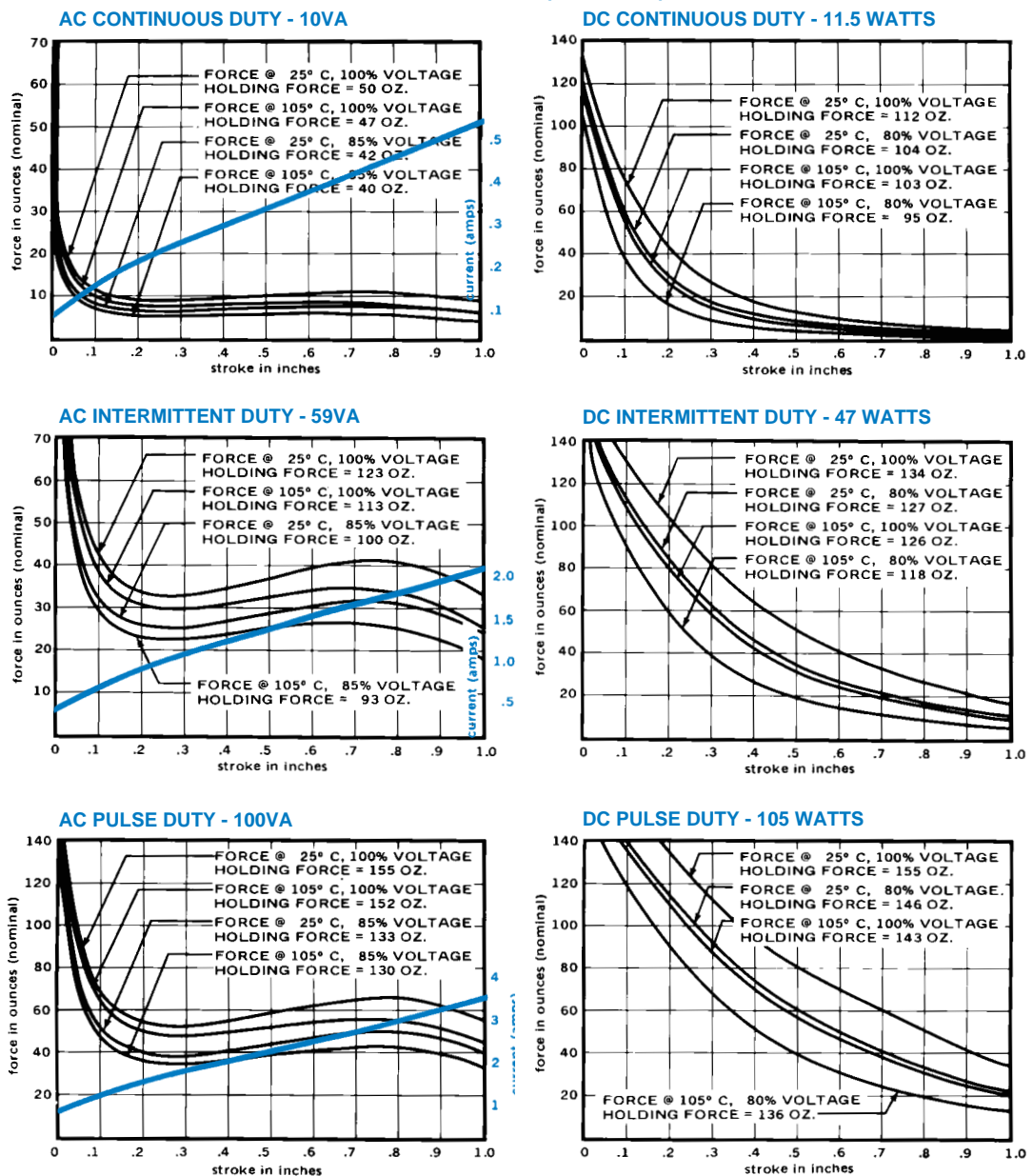
D-4 STANDARD COIL RATING

VOLTAGE	CONTINUOUS DUTY	RESISTANCE		INTERMITTENT DUTY	RESISTANCE		PULSE DUTY	RESISTANCE	
		AC ±10%	DC ±5%		AC ±10%	DC ±5%		AC ±10%	DC ±5%
AC COILS (60 Hz)									
	P/N			P/N			P/N		
6 VAC	53718-80	.384 OHMS		53718-86	—		53718-92	—	
12 VAC	53718-81	1.55 OHMS		53718-87	.384 OHMS		53718-93	—	
24 VAC	53718-82	6.25 OHMS		53718-88	1.55 OHMS		53718-94	1.01 OHMS	
120 VAC	53718-84*	163 OHMS		53718-90*	41.0 OHMS		53718-96	26.1 OHMS	
240 VAC	53718-85	665 OHMS		53718-91	163 OHMS		53718-97	107 OHMS	
DC COILS									
6 VDC	53717-80	3.00 OHMS		53717-86	.744 OHMS		53717-92	.337 OHMS	
12 VDC	53717-81*	12.3 OHMS		53717-87*	3.01 OHMS		53717-93	1.36 OHMS	
24 VDC	53717-82*	50.0 OHMS		53717-88*	12.3 OHMS		53717-94	5.48 OHMS	
110 VDC	53717-84	1070 OHMS		53717-90	261 OHMS		53717-96	107 OHMS	

*Black Items Are Normally Stocked.

Blue Items Are Non Stock – Minimum Quantity May Be Required.

D-4 FORCE CURVES (CLASS A)



Standard intermittent duty cycle at nominal voltage is 25%, with 3 minutes maximum "ON" and 9 minutes minimum "OFF" in a repetitive cycle. Standard Pulse duty cycle is 10% with 100 milliseconds "ON" and 900 milliseconds "OFF".

NOTE: Approx. 36 sq. in. Heat Sink Required.