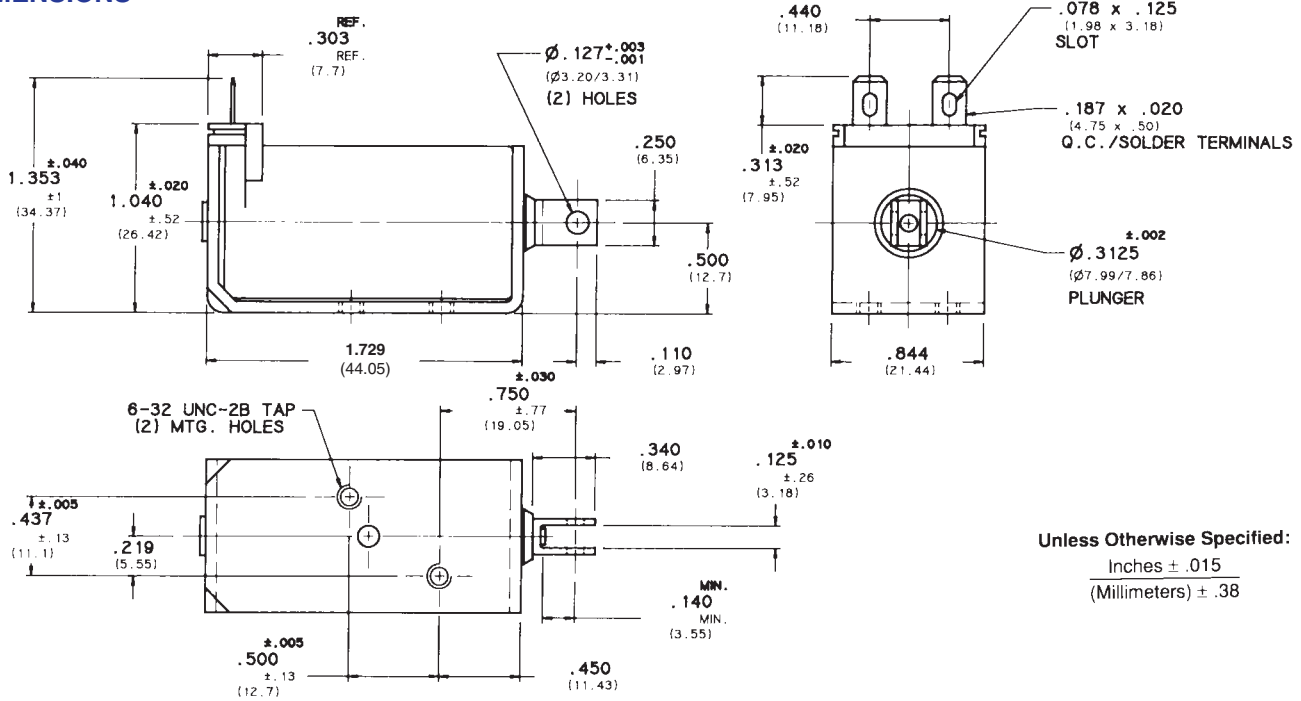




C-15 "C" FRAME SOLENOID

DIMENSIONS



Unless Otherwise Specified:
 Inches $\pm .015$
 (Millimeters) $\pm .38$

COIL TREATMENT:

Plastic Encapsulation.
 Class A Rating (standard)
 Class F Rating (optional)

MAXIMUM OPERATING TEMPERATURE:

Class A – 105°C (221°F)
 Class F – 155°C (311°F)

DIELECTRIC STRENGTH:

30 Volts and Under: 500 VRMS
 Over 30 Volts: 1,000 VRMS plus 2x rated voltage for one minute

STANDARD POWER RATINGS:

DUTY	NOMINAL AC POWER (SEATED)	NOMINAL DC POWER
Continuous	12 VA	7.4 W
Intermittent	26 VA	19 W
Pulse	120 VA	74 W

UL INFORMATION:

UL File No. E57982 For Continuous Duty
 UL File No. E74443 For Insulation Systems
 S105, S130, S130D, S130D1 & S155D

WEIGHT:

Plunger – .48 Oz.
 Total – 3.3 Oz.

PLUNGER GUIDE MATERIAL:

Plastic

LIFE EXPECTANCY:

10⁷ Cycles Under Optimum Load Conditions

TERMINATION:

.187 In. Quick-Connect/Solder Lug (standard)
 Wire Leads (optional with tape-wrapped coils)

PLUNGER CONE ANGLE (DC):

60 degrees (standard)
 also available flat, 90 degrees, custom
 Buzz Trimmer (AC) (optional)

MAXIMUM DIMENSIONS:

Length 1.749 In.
 Width .859 In.
 Height 1.405 In.
 Plunger Diameter $\phi .315$ In.

MAXIMUM STROKE:

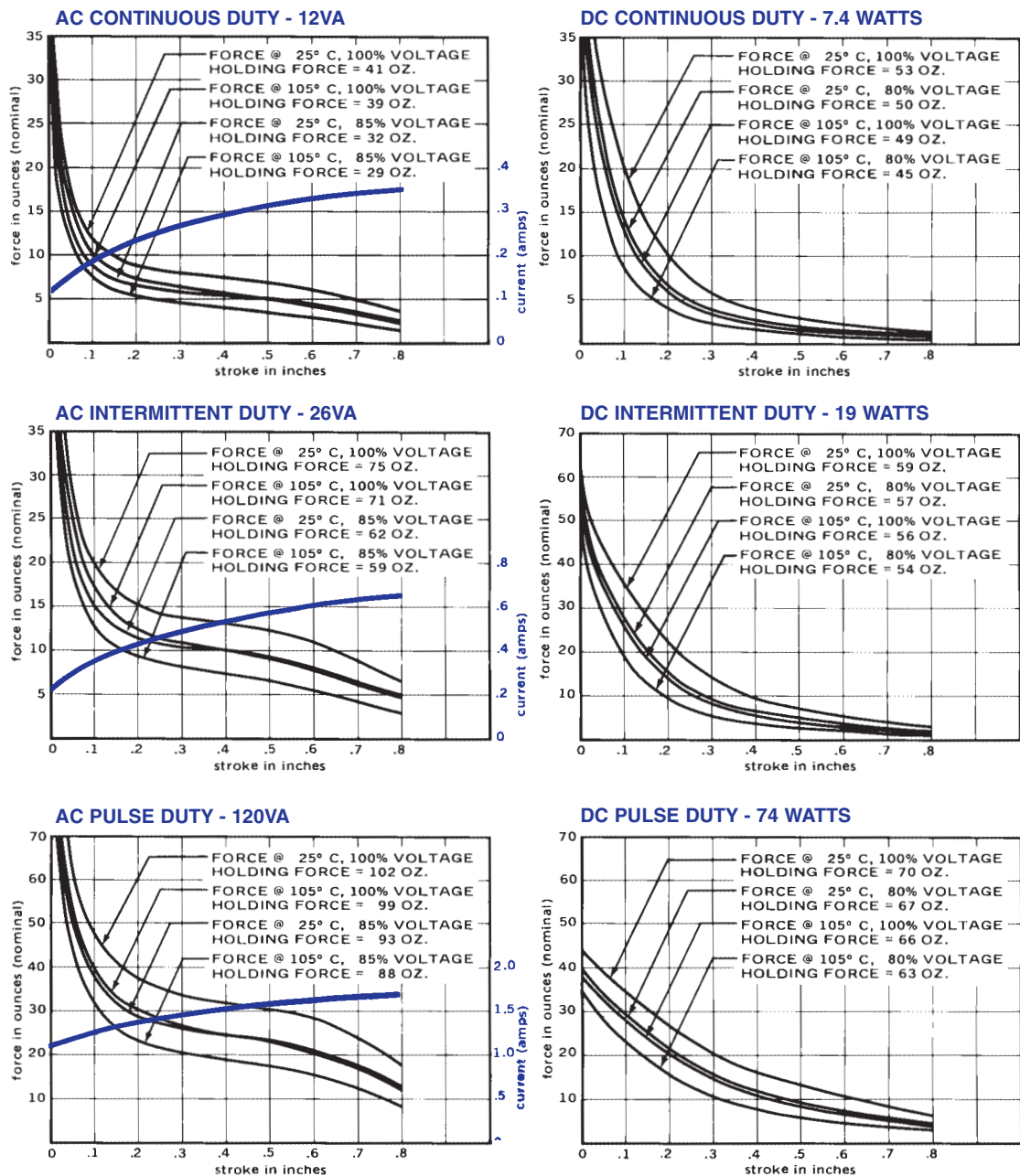
.800 In.

C-15 STANDARD COIL RATING

VOLTAGE	CONTINUOUS DUTY	RESISTANCE AC ±10% DC ±5%	INTERMITTENT DUTY	RESISTANCE AC ±10% DC ±5%	PULSE DUTY	RESISTANCE AC ±10% DC ±5%
AC COILS (60 Hz)	P/N		P/N		P/N	
6 VAC	53679-80	.71 OHMS	53680-80	.40 OHMS	53681-80	.16 OHMS
12 VAC	53679-81	2.9 OHMS	53680-81	1.60 OHMS	53681-81	.640 OHMS
24 VAC	53679-83	12 OHMS	53680-83	6.5 OHMS	53681-83	2.54 OHMS
120 VAC	53679-94	302 OHMS	53680-94	166 OHMS	53681-94	65.0 OHMS
240 VAC	53679-97	1210 OHMS	53680-97	670 OHMS	53681-97	264 OHMS
DC COILS						
6 VDC	53682-80	4.75 OHMS	53683-80	1.83 OHMS	53684-80	.470 OHMS
12 VDC	53682-81	19.2 OHMS	53683-81	7.5 OHMS	53684-81	1.83 OHMS
24 VDC	53682-83	77.3 OHMS	53683-83	30.6 OHMS	53684-83	7.5 OHMS
110 VDC	53682-93	1690 OHMS	53683-93	638 OHMS	53684-93	161 OHMS

Non Stock – Minimum Quantity May Be Required.

C-15 FORCE CURVES (CLASS A)



Standard intermittent duty cycle at nominal voltage is 25%, with 3 minutes maximum "ON" and 9 minutes minimum "OFF" in a repetitive cycle. Standard Pulse duty cycle is 10% with 100 milliseconds "ON" and 900 milliseconds "OFF".

NOTE: Approx. 36 sq. in. Heat Sink Required.