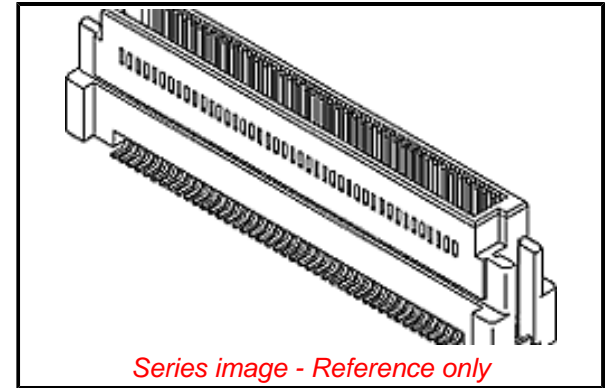


**PLEASE CHECK WWW.MOLEX.COM FOR LATEST PART INFORMATION**

**Part Number:** [0536271474](#)  
**Status:** **Active**  
**Overview:** SlimStack™ 0.635mm Pitch Board-to-Board Connectors  
**Description:** 0.635mm Pitch SlimStack™ Header, Surface Mount, Dual Row, Vertical Stacking, 10.00 and 16.00mm Stacking Heights, 140 Circuits, with Embossed Tape with Cover Packaging

**Documents:**

<a href="#">3D Model</a>	<a href="#">Product Specification PS-52760-015-001 (PDF)</a>
<a href="#">Drawing (PDF)</a>	<a href="#">Packaging Specification SPK-53627-001-001 (PDF)</a>
<a href="#">Product Specification 527600000-000 (PDF)</a>	<a href="#">RoHS Certificate of Compliance (PDF)</a>



**Agency Certification**

UL E29179

**General**

Product Family	PCB Headers
Series	<a href="#">53627</a>
Application	Board-to-Board, Signal
Comments	Stacking-Type
Overview	<a href="#">SlimStack™ 0.635mm Pitch Board-to-Board Connectors</a>
Product Name	SlimStack™
UPC	822350858274

**Physical**

Breakaway	No
Circuits (Loaded)	140
Circuits (maximum)	140
Color - Resin	Brown
Durability (mating cycles max)	50
First Mate / Last Break	No
Glow-Wire Compliant	No
Guide to Mating Part	No
Keying to Mating Part	None
Lock to Mating Part	Yes
Mated Height	10.00mm, 16.00mm
Material - Metal	Copper Alloy, Phosphor Bronze, Stainless Steel
Material - Plating Mating	Gold
Material - Plating Termination	Tin
Net Weight	2107.821/mg
Number of Rows	2
Orientation	Vertical
PCB Locator	Yes
PCB Retention	Yes
Packaging Type	Embossed Tape on Reel
Pitch - Mating Interface	0.64mm
Polarized to PCB	Yes
Robotic Placement	Metal Cap
Shrouded	Fully
Temperature Range - Operating	-55°C to +105°C
Termination Interface: Style	Surface Mount

**Electrical**

Current - Maximum per Contact	0.5A
Voltage - Maximum	100V

**Material Info**

**EU ELV**

**Not Relevant**

**EU RoHS**

**Compliant**

**REACH SVHC**

Not Contained Per -  
ED/30/2017 (7 July  
2017)

**Halogen-Free**

**Status**

**Not Low-Halogen**

**Need more information on product environmental compliance?**

Email [productcompliance@molex.com](mailto:productcompliance@molex.com)  
Please visit the [Contact Us](#) section for any non-product compliance questions.

China ROHS	Green Image
ELV	Not Relevant
RoHS Phthalates	Not Contained

**Search Parts in this Series**

[53627](#) Series

**Mates With**

SlimStack™ Receptacle [52760](#) , [52837](#) ,  
[52885](#) , [52901](#)

**Reference - Drawing Numbers**

Packaging Specification

Product Specification

Sales Drawing

SPK-53627-001-001

527600000-000, PS-52760-015-001

SD-53627-001, SD-53627-002

This document was generated on 08/03/2017

**PLEASE CHECK [WWW.MOLEX.COM](http://WWW.MOLEX.COM) FOR LATEST PART INFORMATION**