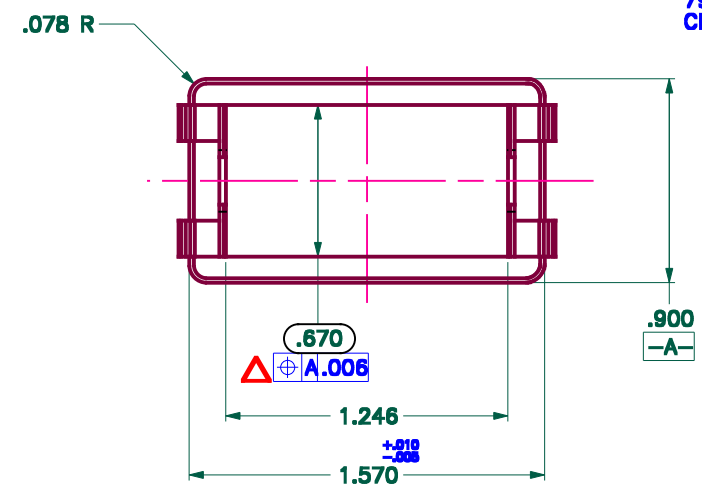
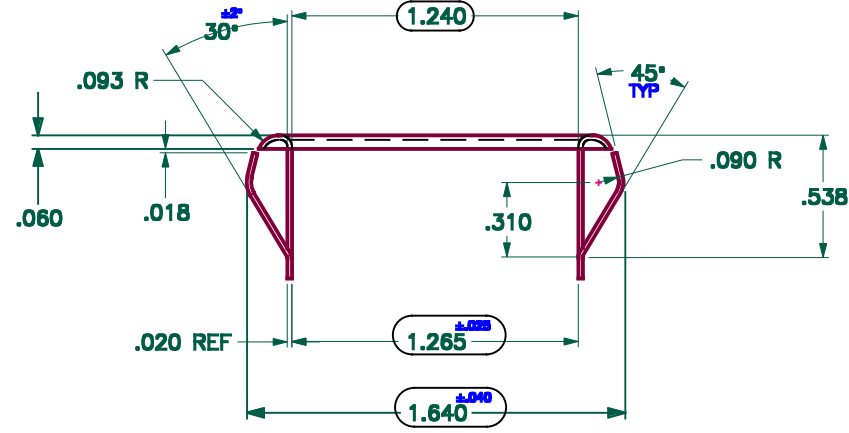
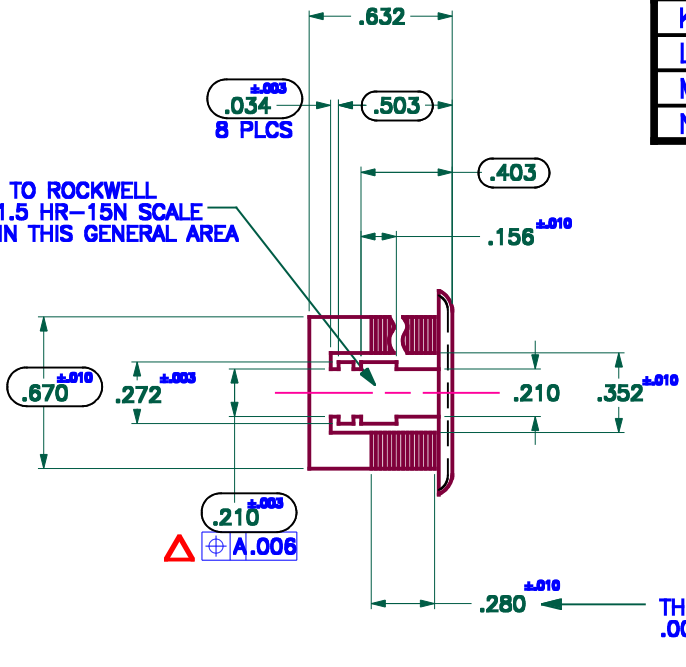


DO NOT SCALE DRAWING WORK TO FIGURES



△ HARDEN TO ROCKWELL  
79.4-81.5 HR-15N SCALE  
CHECK IN THIS GENERAL AREA



THIS AREA SERRATIONS  
.005 DEEP & .020 APART  
(4 PLCS)

LET	REVISIONS	DATE
A	P/N WAS 87-134	6-10-75
—	SEE ECN 3145	5-22-89
—	SEE ECN 2466-11	9-29-89
B	SEE ECN 3589	6-26-90
—	SEE ECN 3764	1-31-91
C	SEE ECN 5486	2-5-94
D	SEE ECN 6526	12-19-94
E	SEE ECN 7430	2-9-96
F	SEE ECN 8335	7-10-96
G	SEE ECN A1045	8-11-98
H	SEE ECN A2059	10-26-98
J	SEE ECN A5513	4-4-00
K	SEE ECN A6332	10-4-00
L	SEE ECO C7618	2-26-07
M	SEE ECO C8184	6-5-07
N	SEE ECO 22666	6-1-15

DWG NO  
**536-11651**  
REV  
**N**

536-11656	536-11651-01	536-11650-01	—	HEAT TREAT PARTS TO 79.4-81.5 HR-15N	VEND-170	BLACK OXIDE & BLACK WAX	VEND-030
536-11655	536-11651-01	536-11650-01	—	HEAT TREAT PARTS TO 79.4-81.5 HR-15N	VEND-170	DULL WHITE NICKEL	VEND-230
536-11654	536-11651-01	536-11650-01	—	HEAT TREAT PARTS TO 79.4-81.5 HR-15N	VEND-170	BLACK EBONAL	VEND-010
536-11653	536-11651-01	536-11650-01	—	HEAT TREAT PARTS TO 79.4-81.5 HR-15N	VEND-170	CHROME OVER NICKEL OVER COPPER STRIKE	VEND-220
<b>536-11652</b>	536-11651-01	536-11650-01	—	HEAT TREAT PARTS TO 79.4-81.5 HR-15N	VEND-170	BRIGHT NICKEL	VEND-190
536-11650	536-11651-01	SPRING STEEL	2223	—	—	—	—
<b>PART NO.</b>	<b>INSTANCE</b>	<b>MATERIAL</b>	<b>MATERIAL CODE</b>	<b>VENDOR OPERATION</b>	<b>HEAT TREAT CODE</b>	<b>FINISH</b>	<b>PLATING CODE</b>

<b>CONTROL SYMBOLS</b>		<b>PROPRIETARY NOTE:</b> NOTICE TO ALL PERSONS RECEIVING THIS DRAWING. THIS DOCUMENT IS THE PROPERTY OF CARLING TECHNOLOGIES, INC. AND IS NOT TO BE DISCLOSED, REPRODUCED IN WHOLE OR IN PART OR USED FOR MANUFACTURING PURPOSES BY ANYONE WITHOUT THE CONSENT OF CARLING TECHNOLOGIES, INC.	<b>MATERIAL:</b> SEE TABLE		<b>FINISH:</b> SEE TABLE				
(XXX)	SIGNIFICANT DIM.		<b>UNSPECIFIED TOLERANCES</b> FRAC. ±1/64 X.XX±.01    X.XXX±.005 ANGLES ±1°		TOOL NO. D-1539 DR BY S. TODD CHK BY LURSO APPD BY F.DISCENZA	REV 5-22-89 DATE 5-23-89 DATE 5-25-89	<b>TITLE</b> SNAP IN BRACKET		
△	SIGNIFICANT CHAR.		PROJECTIONS 	DIMENSIONS IN[mm]	SIZE C USED ON TIG & TIL SERIES	DWG. NO. 536-11651 SCALE 2:1	REV N SHEET 1 OF 1		