

**PLEASE CHECK WWW.MOLEX.COM FOR LATEST PART INFORMATION**

**Part Number:** **0533072471**  
**Status:** **Active**  
**Description:** 0.80mm Pitch Header, Surface Mount, Dual Row, Vertical Stacking, 4.50 and 5.50mm Stacking Heights, 24 Circuits

**Documents:**

<a href="#">3D Model</a>	<a href="#">Product Specification PS-52588-031-001 (PDF)</a>
<a href="#">Drawing (PDF)</a>	<a href="#">Packaging Specification SPK-53307-001-001 (PDF)</a>
<a href="#">Product Specification PS-52465-015-001 (PDF)</a>	<a href="#">RoHS Certificate of Compliance (PDF)</a>

**General**

Product Family	PCB Headers
Series	53307
Application	Board-to-Board, Signal
Product Name	N/A
UPC	822348180509

**Physical**

Breakaway	No
Circuits (Loaded)	24
Circuits (maximum)	24
Color - Resin	Natural
First Mate / Last Break	No
Glow-Wire Compliant	No
Guide to Mating Part	No
Keying to Mating Part	None
Lock to Mating Part	None
Mated Height	4.50mm, 5.50mm
Material - Metal	Phosphor Bronze
Material - Plating Mating	Tin
Material - Plating Termination	Tin
Material - Resin	High Temperature Thermoplastic
Net Weight	334.400/mg
Number of Rows	2
Orientation	Vertical
PCB Locator	No
PCB Retention	None
Packaging Type	Embossed Tape on Reel
Pitch - Mating Interface	0.80mm
Pitch - Termination Interface	0.80mm
Plating min - Mating	3.048µm
Plating min - Termination	3.048µm
Polarized to PCB	No
Shrouded	Fully
Stackable	No
Temperature Range - Operating	-40°C to +105°C
Termination Interface: Style	Surface Mount

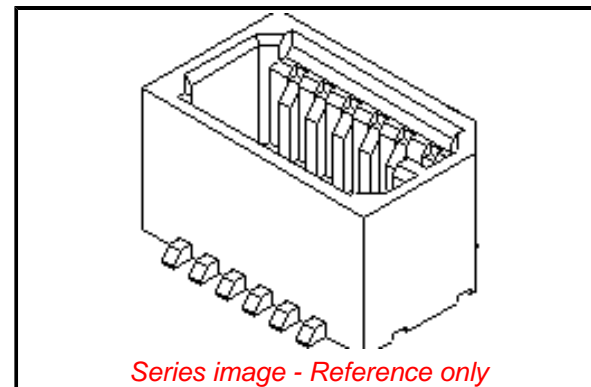
**Electrical**

Current - Maximum per Contact	0.5A
Voltage - Maximum	50V

**Material Info**

**Reference - Drawing Numbers**

Packaging Specification	SPK-53307-001-001
Product Specification	PS-52465-015-001, PS-52588-031-001
Sales Drawing	SD-53307-014, SD-53307-015



**EU ELV**

**Not Relevant**

**EU RoHS**

**Compliant**

**China RoHS**

**REACH SVHC**

Not Contained Per -  
ED/30/2017 (7 July  
2017)

**Halogen-Free**

**Status**

**Not Low-Halogen**

**Need more information on product environmental compliance?**

Email [productcompliance@molex.com](mailto:productcompliance@molex.com)  
Please visit the [Contact Us](#) section for any non-product compliance questions.

China ROHS	Green Image
ELV	Not Relevant
RoHS Phthalates	Not Contained

**Search Parts in this Series**

[53307 Series](#)

**Mates With**

Board-to-Board Receptacle [52465](#) , [52588](#)

This document was generated on 08/02/2017

**PLEASE CHECK [WWW.MOLEX.COM](http://WWW.MOLEX.COM) FOR LATEST PART INFORMATION**