

PLEASE CHECK WWW.MOLEX.COM FOR LATEST PART INFORMATION

Part Number: **0532900680**
Status: **Active**
Description: 2.00mm Pitch Board-to-Board Header, Vertical, Single Row, 0.50mm Square Pin, with Friction Lock, 6 Circuits, with Kinked PC Tails

Documents:

[3D Model](#) [Packaging Specification 532909200-201 \(PDF\)](#)
[Drawing \(PDF\)](#) [RoHS Certificate of Compliance \(PDF\)](#)
[Product Specification PS-52418-003-001 \(PDF\)](#)

General

Product Family PCB Headers
Series [53290](#)
Application Board-to-Board, Signal
Product Name N/A
UPC 822348477265

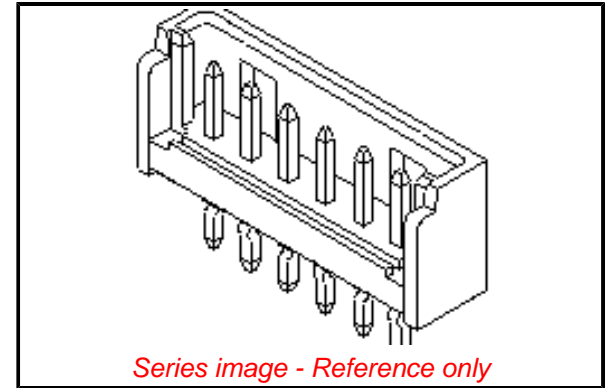
Physical

Breakaway No
Circuits (Loaded) 6
Circuits (maximum) 6
Color - Resin Natural
Durability (mating cycles max) 30
First Mate / Last Break No
Glow-Wire Compliant No
Guide to Mating Part No
Keying to Mating Part None
Lock to Mating Part Yes
Mated Height 6.00mm
Material - Metal Brass
Material - Plating Mating Tin
Material - Plating Termination Tin
Material - Resin Polyester
Net Weight 307.200/mg
Number of Rows 1
Orientation Vertical
PC Tail Length 3.20mm
PCB Locator No
PCB Retention Yes
PCB Thickness - Recommended 1.60mm
Packaging Type Tray
Pitch - Mating Interface 2.00mm
Plating min - Mating 1.016µm
Plating min - Termination 1.016µm
Polarized to Mating Part Yes
Polarized to PCB No
Shrouded Partial
Stackable No
Surface Mount Compatible (SMC) No
Temperature Range - Operating -40°C to +105°C
Termination Interface: Style Through Hole

Electrical

Current - Maximum per Contact 1.5A
Voltage - Maximum 125V

Material Info



EU ELV

Not Relevant

EU RoHS

Compliant

REACH SVHC

Not Contained Per -
ED/30/2017 (7 July
2017)

Halogen-Free

Status

Not Low-Halogen

Need more information on product environmental compliance?

Email productcompliance@molex.com
Please visit the [Contact Us](#) section for any non-product compliance questions.

China ROHS

ELV

RoHS Phthalates

Green Image

Not Relevant

Not Contained

Search Parts in this Series

[53290](#) Series

Mates With

[52418](#) PCB Receptacle

Reference - Drawing Numbers

Packaging Specification

Product Specification

Sales Drawing

532909200-201

PS-52418-003-001

SD-53290-004

This document was generated on 09/12/2017

PLEASE CHECK WWW.MOLEX.COM FOR LATEST PART INFORMATION