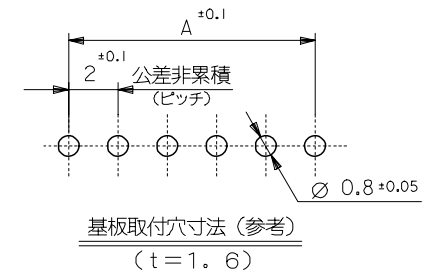


注記

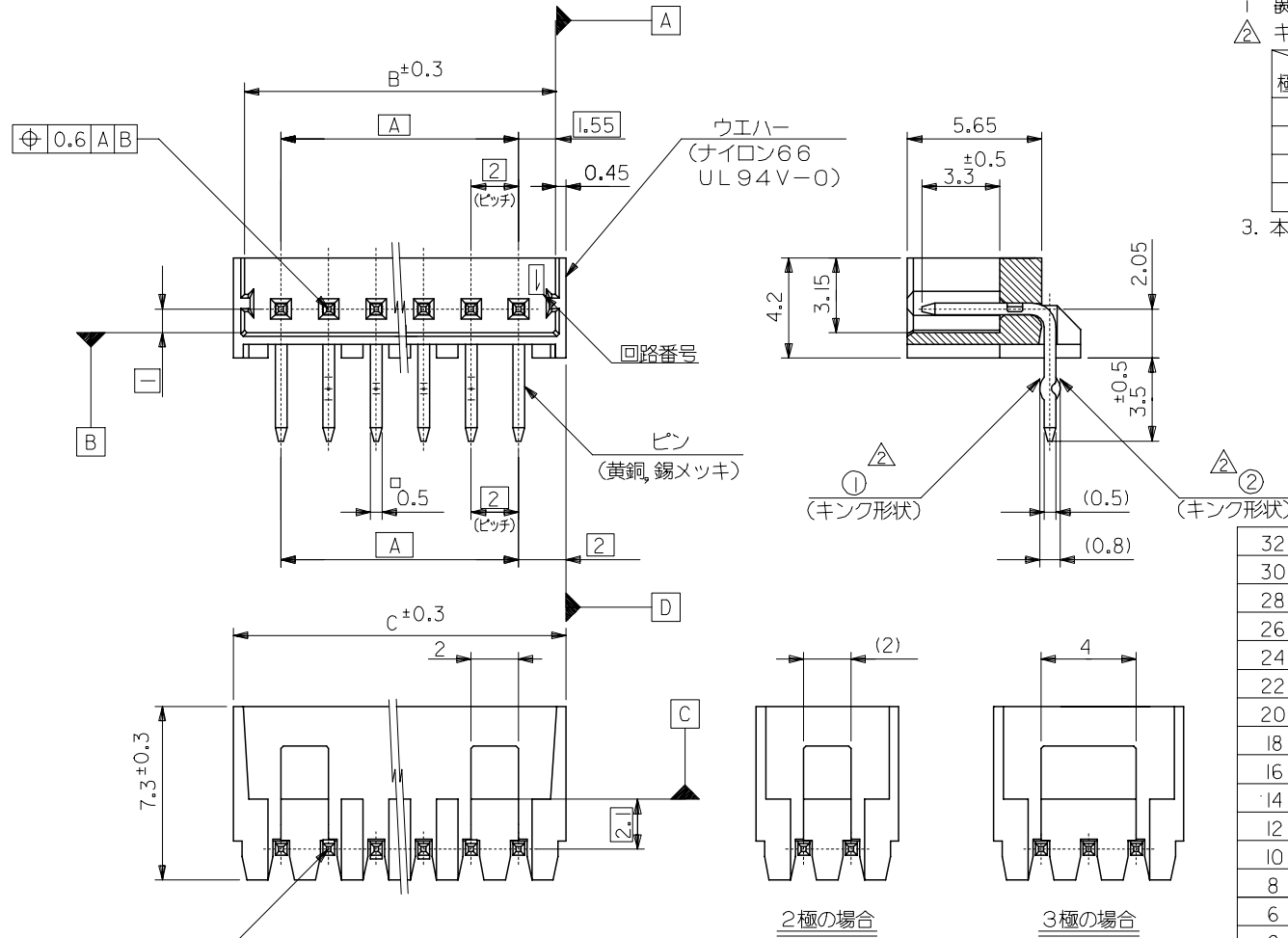
- 1 炭合相手：51065-***00
- △ キングは下記表の位置及び形状に付加のこと。2極はキング無し。

回路番号 極数	1	2	3	4	5	N-2	N-1	N
6極以上	—	①	②	—	—	②	①	—
5極	①	②	—	②	①			
4極	①	②	②	①				
3極	①	②	①					

- 3. 本製品は、53254-***の鉛フリー品です。



32	31.1	28	53254-155*	53254-157*	15
30	29.1	26	△ -145*	△ -147*	14
28	27.1	24	△ -135*	△ -137*	13
26	25.1	22	-125*	-127*	12
24	23.1	20	-115*	-117*	11
22	21.1	18	-105*	-107*	10
20	19.1	16	-095*	-097*	9
18	17.1	14	-085*	-087*	8
16	15.1	12	-075*	-077*	7
14	13.1	10	-065*	-067*	6
12	11.1	8	-055*	-057*	5
10	9.1	6	△ -045*	△ -047*	4
8	7.1	4	△ -035*	△ -037*	3
6	5.1	2	53254-025*	53254-027*	2
C	B	A	MATERIAL NO.	MATERIAL NO.	極数
			MODEL NO.	53254-***7*/**5*	



GENERAL TOLERANCES (UNLESS SPECIFIED)		DIMENSION STYLE		SCALE	DESIGN UNITS	THIRD ANGLE PROJECTION
		MM ONLY		5:1	METRIC	
10 UNDER	±0.2	DRAWN BY	DATE	TITLE		
10 OVER 30 UNDER	±0.25	M. NABE I	'04/05/19	NEW 2.0 WIRE TO BOARD CONN. WAFER ASSY (R/A) -LEAD FREE-		
30 OVER	±0.3	CHECKED BY	DATE	MOLEX INCORPORATED		
ANGULAR	±3 °	K. TOJO	'04/05/19	MATERIAL NO. DOCUMENT NO. SHEET NO.		
DRAFT WHERE APPLICABLE MUST REMAIN WITHIN DIMENSIONS		M. SASAO	'04/05/19	SEE CHART		SD-53254-002
SIZE		THIS DRAWING CONTAINS INFORMATION THAT IS PROPRIETARY TO MOLEX INCORPORATED AND SHOULD NOT BE USED WITHOUT WRITTEN PERMISSION		1 OF 2		

注記

4. ウエハーの色

ENG NO. の下1桁に対応する。

- 黒 BLACK : 53254-**71
- 赤 RED : 53254-**72
- 黄 YELLOW : 53254-**73
- 青 BLUE : 53254-**74
- 緑 GREEN : 53254-**76
- オレンジ ORANGE : 53254-**78
- ピンク PINK : 53254-**79

5. 梱包仕様 PACKAGING

- 53254-**7* トレー TRAY
- 53254-**5* ポリ袋 POLYBAG

32	31.1	28	53254-1559	53254-1558	53254-1556	53254-1554	53254-1553	53254-1552	53254-1551	15
30	29.1	26	△ -1459	△ -1458	△ -1456	△ -1454	△ -1453	△ -1452	△ -1451	14
28	27.1	24	△ -1359	△ -1358	△ -1356	△ -1354	△ -1353	△ -1352	△ -1351	13
26	25.1	22	-1259	-1258	-1256	-1254	-1253	-1252	-1251	12
24	23.1	20	-1159	-1158	-1156	-1154	-1153	-1152	-1151	11
22	21.1	18	-1059	-1058	-1056	-1054	-1053	-1052	-1051	10
20	19.1	16	-0959	-0958	-0956	-0954	-0953	-0952	-0951	9
18	17.1	14	-0859	-0858	-0856	-0854	-0853	-0852	-0851	8
16	15.1	12	-0759	-0758	-0756	-0754	-0753	-0752	-0751	7
14	13.1	10	-0659	-0658	-0656	-0654	-0653	-0652	-0651	6
12	11.1	8	-0559	-0558	-0556	-0554	-0553	-0552	-0551	5
10	9.1	6	▽ -0459	▽ -0458	▽ -0456	▽ -0454	▽ -0453	▽ -0452	▽ -0451	4
8	7.1	4	▽ -0359	▽ -0358	▽ -0356	▽ -0354	▽ -0353	▽ -0352	▽ -0351	3
6	5.1	2	53254-0259	53254-0258	53254-0256	53254-0254	53254-0253	53254-0252	53254-0251	2
C	B	A	MATERIAL NO.	MATERIAL NO.	MATERIAL NO.	MATERIAL NO.	MATERIAL NO.	MATERIAL NO.	MATERIAL NO.	極数

32	31.1	28	53254-1579	53254-1578	53254-1576	53254-1574	53254-1573	53254-1572	53254-1571	15
30	29.1	26	△ -1479	△ -1478	△ -1476	△ -1474	△ -1473	△ -1472	△ -1471	14
28	27.1	24	△ -1379	△ -1378	△ -1376	△ -1374	△ -1373	△ -1372	△ -1371	13
26	25.1	22	-1279	-1278	-1276	-1274	-1273	-1272	-1271	12
24	23.1	20	-1179	-1178	-1176	-1174	-1173	-1172	-1171	11
22	21.1	18	-1079	-1078	-1076	-1074	-1073	-1072	-1071	10
20	19.1	16	-0979	-0978	-0976	-0974	-0973	-0972	-0971	9
18	17.1	14	-0879	-0878	-0876	-0874	-0873	-0872	-0871	8
16	15.1	12	-0779	-0778	-0776	-0774	-0773	-0772	-0771	7
14	13.1	10	-0679	-0678	-0676	-0674	-0673	-0672	-0671	6
12	11.1	8	-0579	-0578	-0576	-0574	-0573	-0572	-0571	5
10	9.1	6	▽ -0479	▽ -0478	▽ -0476	▽ -0474	▽ -0473	▽ -0472	▽ -0471	4
8	7.1	4	▽ -0379	▽ -0378	▽ -0376	▽ -0374	▽ -0373	▽ -0372	▽ -0371	3
6	5.1	2	53254-0279	53254-0278	53254-0276	53254-0274	53254-0273	53254-0272	53254-0271	2
C	B	A	MATERIAL NO.	MATERIAL NO.	MATERIAL NO.	MATERIAL NO.	MATERIAL NO.	MATERIAL NO.	MATERIAL NO.	極数

REVISED EC NO: J2005-2396 DRAWN: NAIDA CHKD: KTOJO APPR: NUKITA 2005/02/22 2005/02/22 2005/02/28	GENERAL TOLERANCES (UNLESS SPECIFIED)		DIMENSION STYLE MM ONLY		SCALE 5:1	DESIGN UNITS METRIC	THIRD ANGLE PROJECTION
	10 UNDER	±0.2	DRAWN BY M. NABE I	DATE '04/05/19	TITLE NEW 2.0 WIRE TO BOARD CONN. WAFER ASSY (R/A) -LEAD FREE-		
	10 OVER 30 UNDER	±0.25	CHECKED BY K. TOJO	DATE '04/05/19			
	30 OVER	±0.3	APPROVED BY M. SASAO	DATE '04/05/19	MOLEX INCORPORATED		
ANGULAR	±3 °	MATERIAL NO.	DOCUMENT NO.	SHEET NO.			
DRAFT WHERE APPLICABLE MUST REMAIN WITHIN DIMENSIONS		SEE CHART		SD-53254-002		2 OF 2	
SIZE A3 THIS DRAWING CONTAINS INFORMATION THAT IS PROPRIETARY TO MOLEX INCORPORATED AND SHOULD NOT BE USED WITHOUT WRITTEN PERMISSION							