



DATA SHEET	53112610
SKINTOP® MS-SC-M / MS-SC-M-XL	valid from: 26.02.2016

The SKINTOP® MS-SC-M / MS-SC-M-XL is a nickel-plated brass cable gland especially designed for copper-screened cables and is used to achieve a low-resistance screen contact, strain relief and high protection class. The SKINTOP® MS-SC-M / MS-SC-M-XL is not qualified for cases twisting a gland after inserting the cable (e.g. circular connectors).



Components:

Gland body	Brass, nickel-plated
Cap nut	Brass, nickel-plated
Insert with lamellar cage	Polyamide, V2 acc. to UL94
Sealing ring	CR (ozone and UV- resistant)
Contact spring	CuBe, tin-plated
O-ring	NBR (ozone and UV- resistant)

Technical features:

Connecting thread	M12x1,5 up to M50x1,5 acc. to EN 60423
Protection class / NEMA Typ Rating	IP68 - 10 bar, test acc. to EN 60529 IP69 acc. to EN 60529 Typw 1, Type 4X, Type 6 and Type 12
Temperature range	Dynamic -25 °C up to +100 °C Statically -40 °C up to +100 °C
Transfer impedance	≤ 10 mOhm
Corrosion-protection class	C4

Approvals:



UL File Nr. 79903

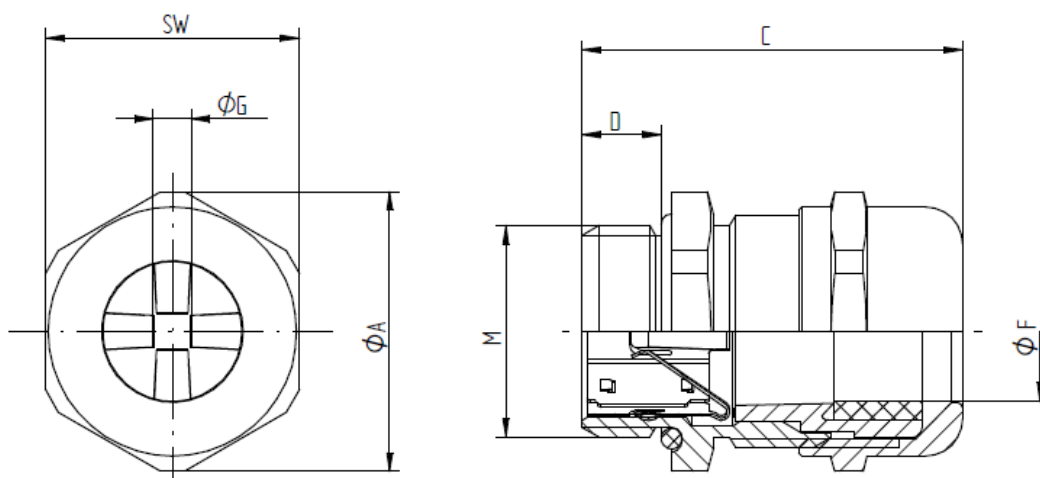
Norm references:



For more information please see our current catalogue.

elaborated by: PDP: M. Wegerer	Document: DB53112610_13EN	page 1 of 2
-----------------------------------	---------------------------	-------------

DATA SHEET	53112610
SKINTOP® MS-SC-M / MS-SC-M-XL	valid from: 26.02.2016



SKINTOP® MS-SC-M

M	SW [mm]	Ø A [mm]	C max. [mm]	D [mm]	Ø F [mm] Clamping range	Ø G [mm]	O-Ring [mm]	Article No.
M12x1,5	16	17,6	26,5	6,5	3,5–7	1,0	9x2	53112610
M16x1,5	20	22,0	33,0	7,0	4,5–9	4,0	13x2	53112620
M20x1,5	24	26,4	37,0	8,5	7–13	5,0	17x2	53112630
M25x1,5	29	31,9	38,5	8,0	9–17	7,5	22x2	53112640
M32x1,5	36	39,6	45,5	9,0	11–21	9,0	28x2	53112650
M40x1,5	45	49,5	48,0	9,0	19–28	15,0	36x2	53112660
M50x1,5	54	59,0	55,5	10,0	27–35	21,0	46x2	53112670

SKINTOP® MS-SC-M-XL

M	SW [mm]	Ø A [mm]	C max. [mm]	D [mm]	Ø F [mm] Clamping range	Ø G [mm]	O-Ring [mm]	Article No.
M12x1,5	16	17,6	32,0	12	3,5–7	1,0	9x2	53112615
M16x1,5	20	22,0	38,0	12	4,5–9	4,0	13x2	53112625
M20x1,5	24	26,4	41,0	12	7–13	5,0	17x2	53112635
M25x1,5	29	31,9	42,5	12	9–17	7,5	22x2	53112645
M32x1,5	36	39,6	51,5	15	11–21	9,0	28x2	53112655
M40x1,5	45	49,5	54,0	15	19–28	15,0	36x2	53112665
M50x1,5	54	59,0	60,5	15	27–35	21,0	46x2	53112675

Recommended torque rates in acc. to EN 50262:

Sizes	Torque [Nm]
M12x1,5	8
M16x1,5	10
M20x1,5 - M25x1,5	12
M32x1,5 - M40x1,5	18
M50x1,5	20