



<b>DATA SHEET</b>	53111000
<b>SKINTOP® ST-M / STR-M</b>	valid from : 19.01.2016

The polyamide based SKINTOP® ST-M / STR-M is designed for universal use, above all for functional safety in manufacturing of machines and equipment, in measurement and control technology and automation technology, as well as in the electronic technology and in manufacturing of robots.



### Components:

Gland body	Polyamide, V-2 acc. to UL 94
Cap nut	Polyamide, V-2 acc. to UL 94
Sealing ring	CR (ozone- and UV-resistant)
O-Ring (M40x1,5 - M63x1,5)	NBR (ozone- and UV-resistant)

### Technical features:

Connecting thread	M12x1,5 up to M63x1,5 acc. to EN 60423
Functional thread	Multi-start trapezoidal thread
Protection class IP / NEMA Enclosure types	IP68 – 5 bar/30 min, test acc. to EN 60529 IP69 acc. to EN 60529 NEMA Type 1 and Type 12
Strain relief:	Kat. A acc. to EN 50262
Temperature range:	Dynamic -20 °C up to +100 °C Statically -40 °C up to +100 °C
Design	ST-M standard STR-M with reducing sealing ring (for smaller cable diameters)
Colour	RAL 7001 silver-grey RAL 7035 light-grey RAL 9005 black, UV-resistant

### Other characteristics:

Permanent vibration protection  
Optimal strain relief  
Large variable clamping ranges  
M40 - M63 with O-ring

### Approvals:



File Nr. 79903

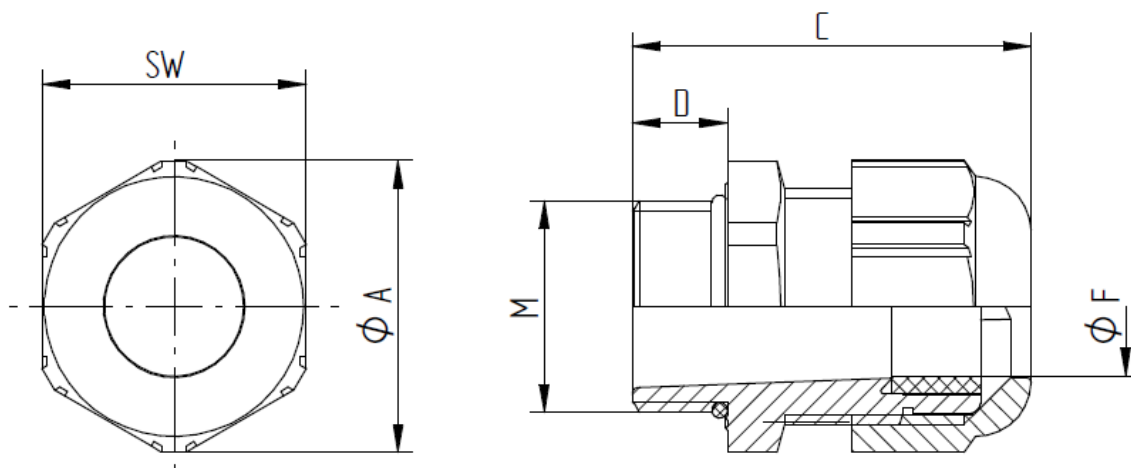
### Norm references:



For more information please see our current catalogue.

elaborated by: PDP: T. Dvoulety	Document: DB53111000_10EN	page 1 of 2
------------------------------------	---------------------------	-------------

<b>DATA SHEET</b>	53111000
<b>SKINTOP® ST-M / STR-M</b>	valid from : 19.01.2016



### SKINTOP® ST-M

M	SW [mm]	Ø A [mm]	C [mm]		D [mm]	Ø F [mm] Clamping range	O-Ring [mm]	Article No.		
			min.	max.				RAL 7001	RAL 7035	RAL 9005
M12x1,5	15	16,6	26,5	30	8	4,5 - 7	-	53111000	53111400	53111200
M16x1,5	19	21,1	29	34	8	4 - 10	-	53111010	53111410	53111210
M20x1,5	25	27,6	34	37	9	6,5 - 12	-	53111020	53111420	53111220
M25x1,5	30	33,6	35	40	10	10 - 17	-	53111030	53111430	53111230
M32x1,5	36	40,3	39	47	10	10 - 21	-	53111040	53111440	53111240
M40x1,5	46	51,6	43	52	10	15 - 28	36 x 2	53111050	53111450	53111250
M50x1,5	55	61,6	54	62	12	22 - 34	46 x 2	53111060	53111460	53111260
M63x1,5	66	73,9	59	71	12	34 - 45	57 x 2	53111070	53111470	53111270

### SKINTOP® STR-M

M	SW [mm]	Ø A [mm]	C [mm]		D [mm]	Ø F [mm] Clamping range	O-Ring [mm]	Article No.		
			min.	max.				RAL 7001	RAL 7035	RAL 9005
M12x1,5	15	16,6	26,5	30	8	1 - 5	-	53111100	53111500	53111300
M16x1,5	19	21,1	29	34	8	2 - 7	-	53111110	53111510	53111310
M20x1,5	25	27,6	34	37	9	5 - 10	-	53111120	53111520	53111320
M25x1,5	30	33,6	35	40	10	6 - 13	-	53111130	53111530	53111330
M32x1,5	36	40,3	39	47	10	7 - 15	-	53111140	53111540	53111340
M40x1,5	46	51,6	43	52	10	15 - 23	36 x 2	53111150	53111550	53111350
M50x1,5	55	61,6	54	62	12	22 - 29	46 x 2	53111160	53111560	53111360
M63x1,5	66	73,9	59	71	12	28 - 39	57 x 2	53111170	53111570	53111370