

PLEASE CHECK WWW.MOLEX.COM FOR LATEST PART INFORMATION

Part Number: [52893-2095](#)
Status: **Active**
Overview: FFC-FPC (SMT)
Description: Easy-On™ Type FFC/FPC Connector, Right Angle, SMT, ZIF, Bottom Contact Style, 20 Circuits, Lead-Free

Documents:

[3D Model](#) [Packaging Specification SPK-52893-001 \(PDF\)](#)
[Drawing \(PDF\)](#) [RoHS Certificate of Compliance \(PDF\)](#)
[Product Specification PS-52892-038 \(PDF\)](#)

Agency Certification

UL E29179

General

| | |
|----------------|-------------------------------|
| Product Family | FFC/FPC Connectors |
| Series | 52893 |
| Comments | Hinge |
| Overview | FFC-FPC (SMT) |
| Product Name | Easy-On™ |
| UPC | 822348120901 |

| | |
|--------------------------------|--------------------------------|
| Physical | |
| Circuits (Loaded) | 20 |
| Circuits (maximum) | 20 |
| Color - Resin | Natural |
| Contact Position | Bottom |
| Durability (mating cycles max) | 20 |
| Entry Angle | 90° Angle |
| Flammability | 94V-0 |
| Mated Height | 2.00mm |
| Material - Metal | Phosphor Bronze |
| Material - Plating Mating | Tin-Bismuth |
| Material - Plating Termination | Tin-Bismuth |
| Material - Resin | High Temperature Thermoplastic |
| Net Weight | 223.600/mg |
| Number of Rows | 1 |
| Orientation | Right Angle |
| PCB Locator | No |
| PCB Retention | Yes |
| Packaging Type | Embossed Tape on Reel |
| Pitch - Mating Interface | 0.50mm |
| Pitch - Termination Interface | 0.50mm |
| Plating min - Mating | 1.016µm |
| Plating min - Termination | 1.016µm |
| Polarized to PCB | No |
| Stackable | No |
| Temperature Range - Operating | -20°C to +85°C |
| Termination Interface: Style | Surface Mount |
| Wire/Cable Type | FFC/FPC |

Electrical

Current - Maximum per Contact 0.5A
Voltage - Maximum 50V

Material Info

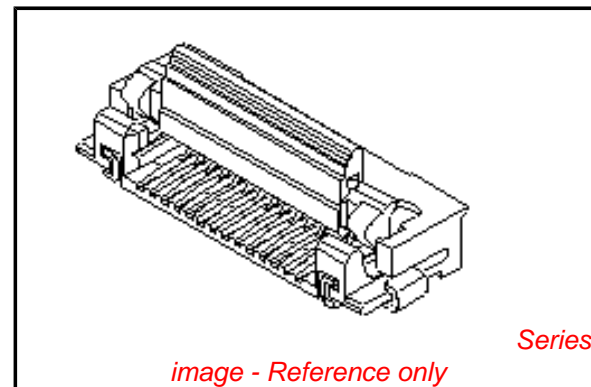


image - Reference only

EU RoHS

ELV and RoHS Compliant
REACH SVHC Contains SVHC: No
Low-Halogen Status Not Low-Halogen

China RoHS



Need more information on product environmental compliance?

Email productcompliance@molex.com
For a multiple part number RoHS Certificate of Compliance, [click here](#)

Please visit the [Contact Us](#) section for any non-product compliance questions.

Search Parts in this Series

[52893Series](#)

Reference - Drawing Numbers

Packaging Specification

Product Specification

Sales Drawing

SPK-52893-001

PS-52892-038, RPS-52892-045, RPS-52892-052,

RPS-52892-055

SD-52893-040, SD-52893-041

This document was generated on 04/28/2014

PLEASE CHECK WWW.MOLEX.COM FOR LATEST PART INFORMATION