

注記 NOTES

- L. 使用材料 MATERIAL**
 ハウジング POLYAMIDE46, GLASS FILLED, UL94V-0(白)
 アクチュエータ POLYPHENYLENE SULFIDE, GLASS FILLED, UL94V-0(茶)
 ターミナル PHOSPOR BRONZE
 フィッティングネイル PHOSPOR BRONZE
- 金具 FITTING NAIL**
 銅メッキ
 TIN: 1.0 MICROMETER MINIMUM
 ニッケル下地
 NICKEL(UNDER PLATING): 1.0 MICROMETER MINIMUM
- △ パターンはくり止め用金具
 FITTING NAIL FOR PREVENTION OF PEELING OF P.C.B. PATTERN.
 △ ソルダーテール半田付け面のスレ量、及び金具半田付け面のスレ量は、基準面 Y に対し上方向 0.05MAX.、下方向 0.2MAX. とし、相互のバラつき量は、0.1MAX. とする。
 MISALIGNMENT OF SOLDER TAILS AND FITTING NAILS FROM Y
 UPPER DIRECTION: 0.05 MAX., LOWER DIRECTION: 0.2 MAX.
 MISALIGNMENT BETWEEN SOLDER TAILS AND FITTING NAILS: 0.1MAX.
 △ 偶数極に適用。
 APPLY FOR EVEN CIRCUIT.
 △ 18極以上は2ヶ所、10~17極はハウジングセンター上に1ヶ所とする。
 18 CKTS & MORE THAN 18 CKTS PLACED 2 POINT.
 10~17 CKTS PLACED 1 POINT ON HOUSING CENTER.

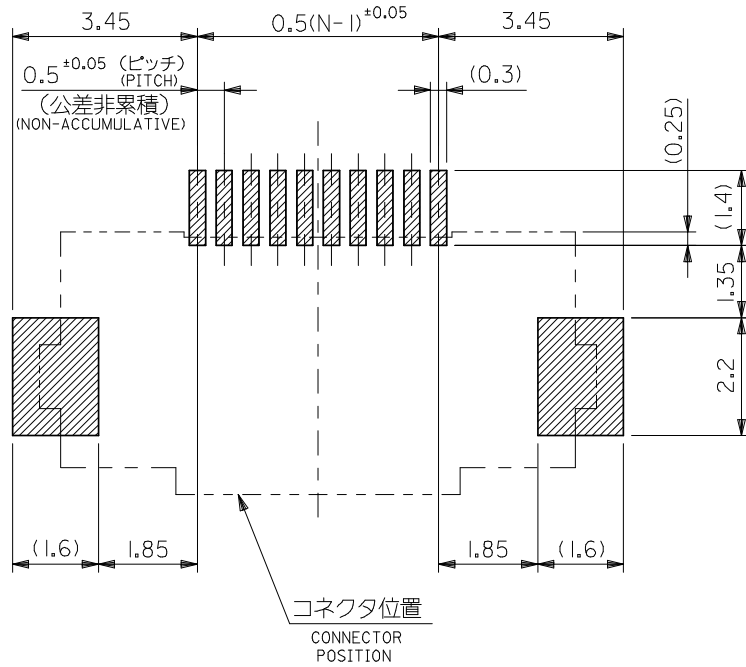
19.6	15.5	15.3	14.5	52893-3095	52893-3019	30
18.6	14.5	14.3	13.5	-2895	-2819	28
17.6	13.5	13.3	12.5	-2695	-2619	26
16.6	12.5	12.3	11.5	-2495	-2419	24
15.6	11.5	11.3	10.5	-2295	-2219	22
15.1	11.0	10.8	10.0	-2195	-2119	21
14.6	10.5	10.3	9.5	-2095	-2019	20
14.1	10.0	9.8	9.0	-1995	-1919	19
13.6	9.5	9.3	8.5	-1895	-1819	18
13.1	9.0	8.8	8.0	-1795	-1719	17
12.6	8.5	8.3	7.5	-1695	-1619	16
12.1	8.0	7.8	7.0	-1595	-1519	15
11.6	7.5	7.3	6.5	-1495	-1419	14
11.1	7.0	6.8	6.0	-1395	-1319	13
10.6	6.5	6.3	5.5	-1295	-1219	12
10.1	6.0	5.8	5.0	-1195	-1119	11
9.6	5.5	5.3	4.5	-1095	-1019	10
8.6	4.5	4.3	3.5	52893-0895	52893-0819	8
D	C	B	(A)	EMBOSSD TAPPE	MATERIAL NO.	極数
				ORDER No. オーダー番号		CIRCUIT

52893-**19 MODEL NO.

注記 NOTES

6. 本製品は 52893-**17 の鉛フリー品である。
 THIS PRODUCT IS LEAD FREE OF 52893-**17.

REVISED EC NO: J2008-4308 DRWN: NABEI CHKD: THARUYAMA APPR: NUKITA	DESCRIPTION	GENERAL TOLERANCES (UNLESS SPECIFIED)	DIMENSION STYLE	SCALE	DESIGN UNITS	THIRD ANGLE PROJECTION
	REV	10 UNDER ±0.2	MM ONLY	---	METRIC	
		10 OVER 30 UNDER ±0.25				
		30 OVER ±0.3				
		ANGULAR ±3°				
	DRAFT WHERE APPLICABLE MUST REMAIN WITHIN DIMENSIONS					
			DRAWN BY	DATE	TITLE	
			M. NAGATA	'04/01/09	0.5 FPC CONN ASSY ZIF	
			CHECKED BY	DATE	SMT RA BTM CONT E/O TYPE	
			K. TOJO	'04/01/09	-LEAD FREE-	
			APPROVED BY	DATE	MOLEX INCORPORATED	
			M. SASAO	'04/01/09		
			MATERIAL NO.	DOCUMENT NO.		
			SEE TABLE	SD-52893-040		
			SIZE	THIS DRAWING CONTAINS INFORMATION THAT IS PROPRIETARY TO MOLEX INCORPORATED AND SHOULD NOT BE USED WITHOUT WRITTEN PERMISSION		
			A3			

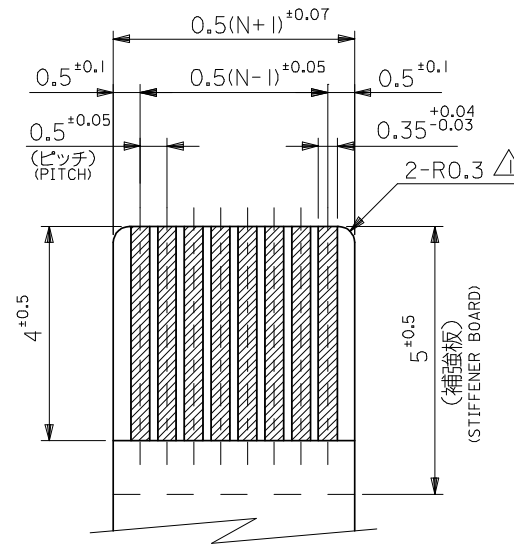


参考基板レイアウト
RECOMMENDED P.C.B. BOARD
PATTERN DIMENSION (REF.)

(マウント面)
(MOUNTING SIDE)

注記 NOTES

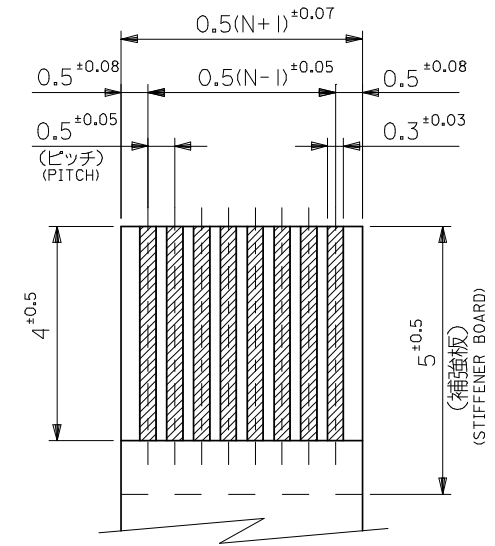
- △ R0.3は、FPCの導体部にかからないこと。
R0.3 MUST NOT BE OVERLAPPED TO PATTERN OF FPC.



適合FPC推奨寸法

APPLICABLE FPC
RECOMMENDED DIMENSION

(仕上がり厚さ: 0.3 ±0.03)
(THICKNESS: 0.3 ±0.03)



適合FFC推奨寸法

APPLICABLE FFC
RECOMMENDED DIMENSION

(仕上がり厚さ: 0.3 ±0.03)
(THICKNESS: 0.3 ±0.03)

FPCについて:

- 打抜き方向は導体側から補強板側を推奨致します。
- 補強フィルム材質はポリイミドを推奨致します。
- 接着剤は熱硬化接着剤を推奨致します。

ABOUT FPC:

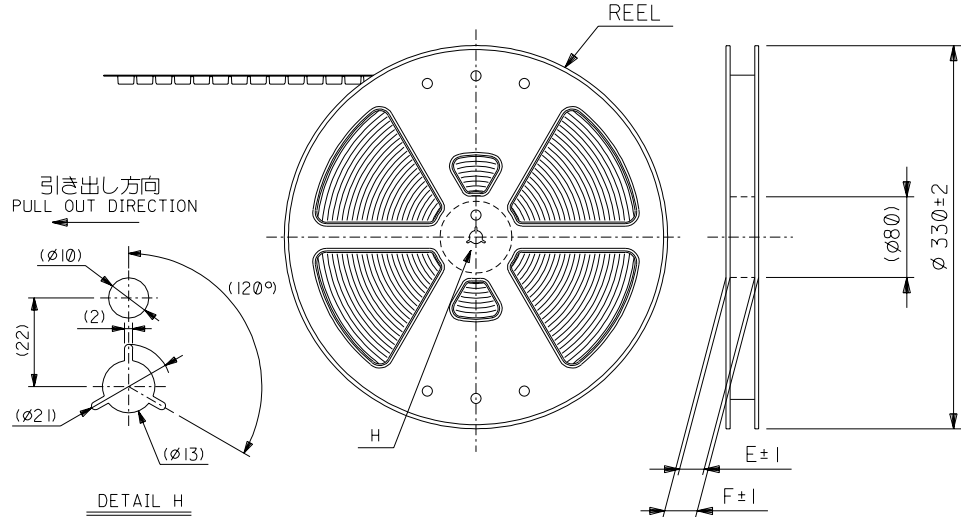
- RECOMMENDED PUNCHER DIRECTION : FROM CONDUCTOR SIDE TO STIFFENER BOARD SIDE.

RECOMMENDED MATERIAL:

- STIFFENER FILM : POLYIMIDE
- BONDING AGENT : THERMOSETTING BONDING AGENT

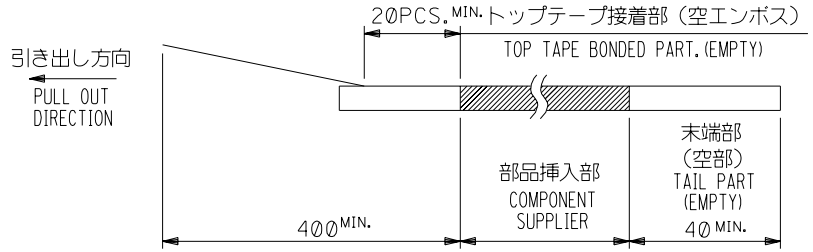
52893-**19 MODEL NO.

REVISED EC NO: J2008-4308 DRWN:MNABEI 2008/06/27 CHK'D:THARUYAMA 2008/06/30 APPR:NUKITA 2008/06/30	GENERAL TOLERANCES (UNLESS SPECIFIED)		DIMENSION STYLE MM ONLY		SCALE ---	DESIGN UNITS METRIC	THIRD ANGLE PROJECTION	
	10 UNDER	±0.2	DRAWN BY M. NAGATA	DATE '04/01/09	TITLE 0.5 FPC CONN ASSY ZIF SMT RA BTM CONT E/O TYPE -LEAD FREE-			
	10 OVER 30 UNDER	±0.25	CHECKED BY K. TOJO	DATE '04/01/09				
	30 OVER	±0.3	APPROVED BY M. SASAO	DATE '04/01/09	MOLEX INCORPORATED			
	ANGULAR ±3 °		MATERIAL NO.	DOCUMENT NO.				
DRAFT WHERE APPLICABLE MUST REMAIN WITHIN DIMENSIONS		SEE SHEET 1		SD-52893-040		2 OF 2		
SIZE A3 THIS DRAWING CONTAINS INFORMATION THAT IS PROPRIETARY TO MOLEX INCORPORATED AND SHOULD NOT BE USED WITHOUT WRITTEN PERMISSION								

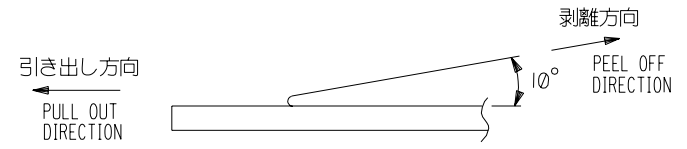


注記 NOTES

- 製品詳細寸法については図面 SD-52893-040 を参照下さい。
RE DETAILED DIMENSION, SEE SD-52893-040
- 梱包数量：1000個/リール
NUMBER OF CONNECTORS：1000PCS/REEL
- リードテープ長さ LEAD TAPE LENGTH



- トップテープの剥離強度：0.1~1.3N(10 ~ 130gf)
(剥離方向は下図参照)
尚、本規格値は出荷時に適用。(但し、輸送時に剥離が発生しないこと。)
PEELING OFF FORCE OF TOP TAPE：0.1~1.3N(10 ~ 130gf)
(PEELING DIRECTION AS SHOWN IN FOLLOWING FIG.)
THIS REQUIREMENT SHOULD BE APPLIED AT SHIPMENT.
PEEL OFF SHOULD NOT BE ALLOWED, DURING TRANSPORTATION.



- 材料
キャリアテープ：ポリプロピレン (PP)
トップテープ：PET, PE, PEF
リール：ポリスチレン (PS) <リサイクル材を含む>

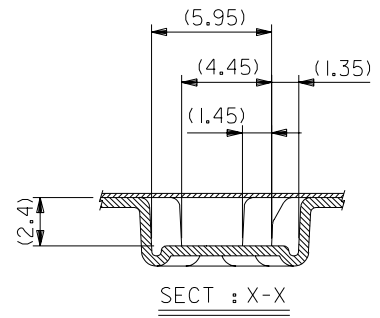
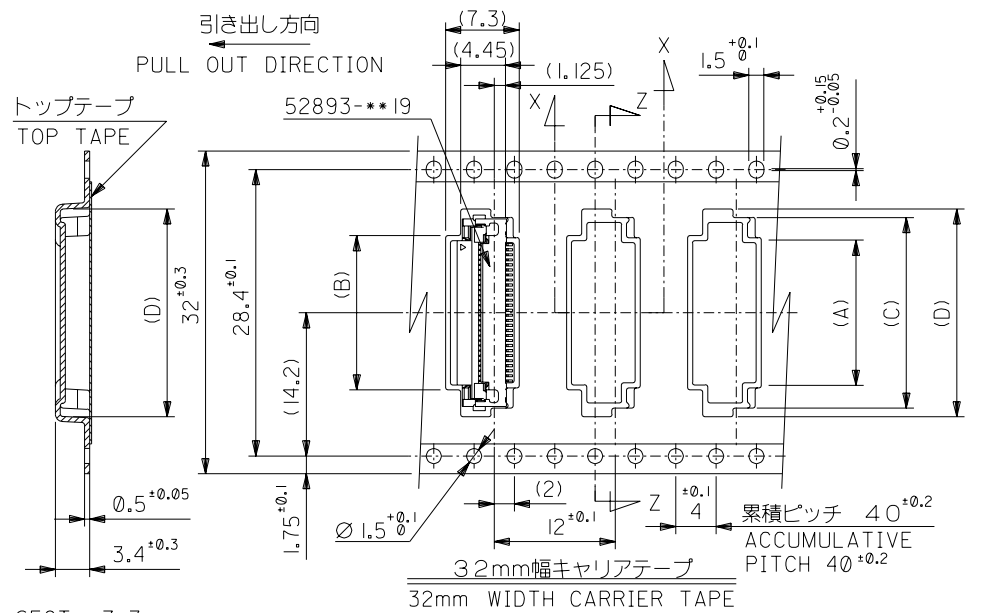
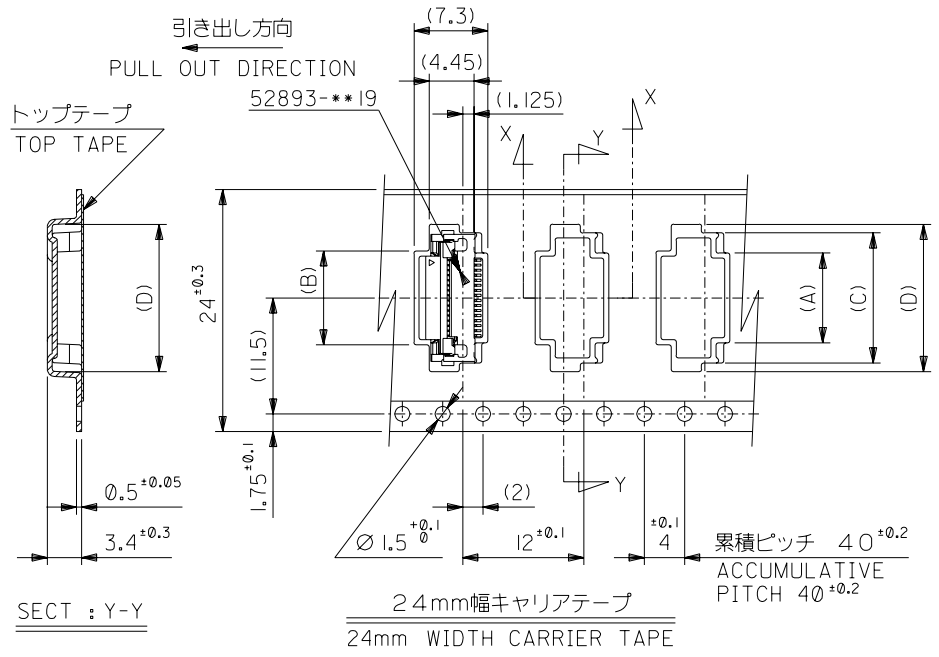
MATERIAL CARRIER TAPE:POLYPROPYLENE
TOP TAPE:PET,PE,PEF
REEL:POLYSTYRENE(PS)
<RECYCLE MATERIAL CONTAINED>

- 本製品は 52893-***90 の鉛フリー品である。
THIS PRODUCT IS LEAD FREE OF 52893-***90

DO NOT SCALE DRAWING

64 NO. DRWN: CH'K: APPR: 63 NO. DRWN: CH'K: APPR: 62 NO. DRWN: CH'K: APPR: A REVISED 61 NO. J2004-3551 DRWN: H.KAWABATA 04/04/07 CH'K: K.TOJO 04/04/07 APPR: M.SASAO 04/04/07 0 RELEASED 60 NO. J2004-1861 DRWN: M.NAGATA 04/01/09 CH'K: K.TOJO 04/01/09 APPR: M.SASAO 04/01/09	MATERIAL 材料 注記参照 SEE NOTES FINISH 仕上げ 注記参照 SEE NOTES WIRE RANGE 適用線径範囲 適用線径範囲 30 OVER 30 UNDER 未満 30 OVER 以上 ANGLE 角度	GENERAL TOLERANCES: (UNLESS SPECIFIED) 一般公差 10 UNDER 未満 10 OVER 以上 30 UNDER 未満 30 OVER 以上 ANGLE 角度	SCALE DESIGN UNITS 200 100 50 20 10 5 2 1 0.5 0.2 0.1 0.05 0.02 0.01 0.005 0.002 0.001 0.0005 0.0002 0.0001 0.00005 0.00002 0.00001 0.000005 0.000002 0.000001 0.0000005 0.0000002 0.0000001 0.00000005 0.00000002 0.00000001	MODEL NO. 52893-***95 DIMENSIONS: SHT REV 200 100 50 20 10 5 2 1 0.5 0.2 0.1 0.05 0.02 0.01 0.005 0.002 0.001 0.0005 0.0002 0.0001 0.00005 0.00002 0.00001 0.000005 0.000002 0.000001 0.0000005 0.0000002 0.0000001 0.00000005 0.00000002 0.00000001	TITLE: 0.5 FPC Conn Assy ZIF SMT RA EO Type Embstp pkg -LEAD FREE- MOLEX INCORPORATED	CAD FILENAME SD-52893-041.S01 MATERIAL NO. SEE CHART DRAWING NO. SD-52893-041 SHEET NO. 1 OF 2 SIZE B

DWG. NO. SD-52893-041



キャリアテープ幅 CARRIER TAPE WIDTH	F	E	(D)	(C)	(B)	(A)	52893-0895	極数 CIRCUIT
32	37.4	33.4	21.6	19.9	16.1	15.9	52893-3095	30
			20.6	18.9	15.1	14.9	-2895	28
			19.6	17.9	14.1	13.9	-2695	26
			18.6	16.9	13.1	12.9	-2495	24
			17.6	15.9	12.1	11.9	-2295	22
			17.1	15.4	11.6	11.4	-2195	21
			16.6	14.9	11.1	10.9	-2095	20
			16.1	14.4	10.6	10.4	-1995	19
			15.6	13.9	10.1	9.9	-1895	18
			15.1	13.4	9.6	9.4	-1795	17
24	29.4	25.4	14.6	12.9	9.1	8.9	-1695	16
			14.1	12.4	8.6	8.4	-1595	15
			13.6	11.9	8.1	7.9	-1495	14
			13.1	11.4	7.6	7.4	-1395	13
			12.6	10.9	7.1	6.9	-1295	12
			12.1	10.4	6.6	6.4	-1195	11
			11.6	9.9	6.1	5.9	-1095	10
			10.6	8.9	5.1	4.9	52893-0895	8

DO NOT SCALE DRAWING

168 NO. DRWN: CH'K: APPR:	163 NO. DRWN: CH'K: APPR:	162 NO. DRWN: CH'K: APPR:	REVISED 161 NO. J2004-3551 DRWN: H.KAWABATA '04/04/07 CH'K: K.TOJO '04/04/07 APPR: M.SASAO '04/04/07 RELEASED 160 NO. J2004-1861 DRWN: M.NAGATA '04/01/09 CH'K: K.TOJO '04/01/09 APPR: M.SASAO '04/01/09	MATERIAL 材料 SHEET 1 OF 2 参照 SEE SHEET 1 OF 2
REV	DESCRIPTION	FINISH 仕上げ	WIRE RANGE 適用層線範囲	INS. RANGE 被覆外径

GENERAL TOLERANCES: (UNLESS SPECIFIED) 一般公差 10 UNDER 未滿 ±0.2 10 OVER 30 UNDER 未滿 ±0.25 30 OVER 以上 ±0.3 ANGLE 角度 ±3°	SCALE DESIGN UNITS <input checked="" type="checkbox"/> mm <input type="checkbox"/> INCH 2ND ANGLE PROJECTION DRAWN BY & DATE M.NAGATA '04/01/09 CHECKED BY & DATE K.TOJO '04/01/09 APPROVED BY & DATE M.SASAO '04/01/09	MODEL NO. 52893-***95 DIMENSIONS: <input type="checkbox"/> mm <input type="checkbox"/> INCH <input checked="" type="checkbox"/> mm <input type="checkbox"/> mm ONLY SHT 2 REV 2 CAD FILENAME SD-52893-041.S02 TITLE: 0.5 FPC Conn Assy ZIF SMT RA E0 Type Embstp pkg -LEAD FREE- MOLEX MOLEX INCORPORATED MATERIAL NO. SEE CHART DRAWING NO. SD-52893-041 SHEET NO. 2 OF 2	8 EN-02J(097) MXJ-54
---	--	---	----------------------

THIS DRAWING CONTAINS INFORMATION THAT IS PROPRIETARY TO MOLEX INCORPORATED AND SHOULD NOT BE USED WITHOUT WRITTEN PERMISSION. SIZE B