



UPC Code: 07847707710

Country Of Origin: United States

NEMA:  
5-15R



## 5269-PLC

### Brand Features

The Leviton line of Straight Blade Plugs and Connectors includes: Black & White® Industrial Grade devices that resist impact, corrosion and chemicals; Wetguard® for water or moisture resistance; Dustgard® for dust and dirt; Python™, with an innovative interlocking design; rugged nylon flanged and outlets; and integrated inlets and outlets with weather resistant covers.

### Item Description

15 Amp, 125 Volt, NEMA 5-15R, 2P, 3W, Connector, Straight Blade, Industrial Grade, Grounding, Power Indication - BLACK-WHITE

### Technical Information

#### Electrical Specifications

**Grounding:** Grounding

**Amperage:** 15 A

**Voltage:** 125 VAC

**Pole:** 2

**Wire:** 3

**Temperature Rise:** Max 30C after 250 cycles OL at 200 percent rated current

**Dielectric Voltage:** Withstands 2000V per UL498

**Current Interrupting:** Certified for current interrupting at full rated current

#### Environmental Specifications

**Flammability:** Rated HB or better UL94

**Operating Temperature:** -40°C to 60°C

**Environment:** Dry

#### Material Specifications

**Body Material:** Impact Modified Nylon

**Back Cover:** Thermoplastic

**Wire Module:** Nylon

**Cord-Clamp:** Nylon

**Clamp Insert:** Nylon

**Blades/Contacts:** Solid Brass

**Terminal Screws:** Brass

**Assembly Screws:** Steel, Zinc Plated

**Color:** Black-White

#### Mechanical Specifications

**Terminal ID:** Brass-Hot, Green-Ground, Silver-Neutral

**Terminal Accom.:** 18-10 AWG

**Product ID:** Ratings and NEMA I.D. permanently marked on device

**Cord Range:** .245 - .700

#### Product Features

**NEMA:** 5-15R

**Color:** Black-White

**Feature:** Power Indication

**Brand:** Black and White

**Device Type:** Straight Blade Connector

#### Standards and Certifications

**NEMA:** WD-6

**ANSI:** C-73

**UL 498:** File E13399

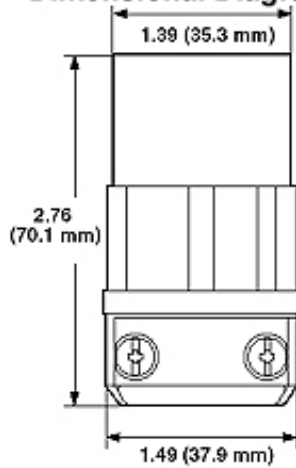
**UL Fed Spec WC-596:** File E13393

**CSA C22.2 No. 42:** File LR-406

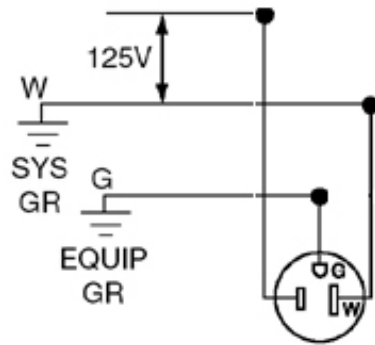
**NOM:** 057

**Warranty:** Lifetime Warranty

### Dimensional Diagram



### Wiring Diagram



5-15R

### SPECIFICATION SUBMITTAL

JOB NAME:	CATALOG NUMBERS:	
<input type="text"/>	<input type="text"/>	<input type="text"/>
JOB NUMBER:	<input type="text"/>	<input type="text"/>

#### Leviton Manufacturing Co., Inc.

201 North Service Road, Melville, NY 11747

Teléfono: +1-800-323-8920 · FAX: +1-800-832-9538 · Tech Line (8:30AM-7:30PM E.S.T. Monday-Friday): +1-800-824-3005

#### Leviton Manufacturing of Canada, Ltd.

165 Hymus Boulevard, Pointe Claire, Quebec H9R 1E9 · Telephone: +1-800-469-7890 ·

FAX: +1-800-824-3005 · [www.leviton.com/canada](http://www.leviton.com/canada)

#### Leviton S. de R.L. de C.V.

Lago Tana 43, Mexico DF, Mexico CP 11290 · Tel.: (+52)55-5082-1040 · FAX: (+52)5386-

1797 · [www.leviton.com.mx](http://www.leviton.com.mx)

Visit our Website at: [www.leviton.com](http://www.leviton.com)

© 2018 Leviton Manufacturing Co., Inc. Todos los derechos reservados. Subject to change without notice.

#### Leviton has a global presence.

If you would like to know where your local Leviton office is located please go to:

[www.leviton.com/international/contacts/](http://www.leviton.com/international/contacts/)

