

**PLEASE CHECK WWW.MOLEX.COM FOR LATEST PART INFORMATION**

**Part Number:** **0525591853**  
**Status:** **Active**  
**Overview:** FFC-FPC (SMT)  
**Description:** Easy-On™ Type FFC/FPC Connector, Vertical, Surface Mount, ZIF, 18 Circuits, Gold (Au) Contact Plating

**Documents:**

[3D Model](#) [Packaging Specification 525599200-200 \(PDF\)](#)  
[Drawing \(PDF\)](#) [RoHS Certificate of Compliance \(PDF\)](#)  
[Product Specification PS-52559-014-001 \(PDF\)](#)

**Agency Certification**

UL E29179

**General**

Product Family FFC/FPC Connectors  
Series [52559](#)  
Overview [FFC-FPC \(SMT\)](#)  
Product Name Easy-On™  
UPC 822350045315

**Physical**

Circuits (Loaded) 18  
Circuits (maximum) 18  
Color - Resin Natural  
Contact Position N/A  
Durability (mating cycles max) 20  
Entry Angle Vertical  
Flammability 94V-0  
Mated Height 3.90mm  
Material - Metal Phosphor Bronze  
Material - Plating Mating Gold  
Material - Plating Termination Tin  
Material - Resin High Temperature Thermoplastic  
Net Weight 251.764/mg  
Number of Rows 1  
Orientation Vertical  
PCB Locator No  
PCB Retention Yes  
Packaging Type Embossed Tape on Reel  
Pitch - Mating Interface 0.50mm  
Plating min - Mating 0.102µm  
Plating min - Termination 1.016µm  
Polarized to PCB No  
Stackable No  
Temperature Range - Operating -40°C to +85°C  
Termination Interface: Style Surface Mount  
Wire/Cable Type FFC/FPC

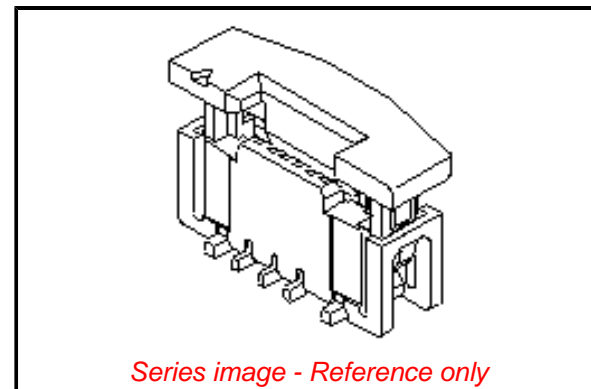
**Electrical**

Current - Maximum per Contact 0.5A  
Voltage - Maximum 50V AC (RMS)/DC

**Material Info**

**Reference - Drawing Numbers**

Packaging Specification 525599200-200  
Product Specification PS-52559-014-001



**EU ELV**

**Not Relevant**

**EU RoHS**

**Compliant**

**REACH SVHC**

Not Contained Per -  
ED/30/2017 (7 July  
2017)

**Halogen-Free**

**Status**

**Not Low-Halogen**

**Need more information on product  
environmental compliance?**

Email [productcompliance@molex.com](mailto:productcompliance@molex.com)  
Please visit the [Contact Us](#) section for any  
non-product compliance questions.

China ROHS

ELV

RoHS Phthalates

**China RoHS**

Green Image

Not Relevant

Not Contained

**Search Parts in this Series**

[52559 Series](#)

**Mates With**

[http://www.molex.com/product/premoflex\\_ffc-fpc.html](http://www.molex.com/product/premoflex_ffc-fpc.html) Molex Premo-Flex FFC. Be sure to match like plating

This document was generated on 08/02/2017

**PLEASE CHECK [WWW.MOLEX.COM](http://WWW.MOLEX.COM) FOR LATEST PART INFORMATION**