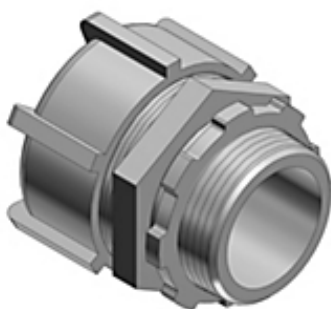




Actual



Representative

Catalog Number: 5237
Product ID: 7TAD012150R0001
UPC Number: 78621005237
EAN Number: 05414363142782
Status: Active

Liquidtight Conduit Fitting, Straight 2 Inch, Non-Insulated Malleable Iron

- Ability to install quickly with low torque effort
- To positively bond conduit to box or enclosure.

North American Specifications (UNSPSC)

| | |
|-------------|---|
| UNSPSC | 39121420 Liquid tight connectors |
| IGCC | 4585 Liquid tight connectors |
| Brand Name | T&B |
| Type | Connectors-Straight |
| Application | Used where flexible metal raceway is installed in outdoor or indoor locations where exposed to continuous or intermittent moisture. |
| Standard | UL E23018, CSA |
| Size | 2 Inch |
| Material | Steel |
| Finish | Electro Zinc Plated/Chromate Coating |

European Specifications (ETIM)

| | |
|---|--|
| ETIM | EC001180 Screw connection for protective metallic hose |
| Nominal size in inch | 2 inch |
| Model | Straight |
| Revolving thread | N |
| Construction type | External thread |
| Connection type screw connection to housing | Thread |
| Thread type | NPT |
| Thread connection size | Other |
| One-piece | N |
| Material housing | Other |
| Approved in combination with protective conduit CSA | Y |
| Approved in combination with protective conduit UL | Y |

Packaging

| | |
|---------------------------|------------------|
| Outer Quantity | 5 |
| Outer Dimensions (inches) | 9.9x6.7x3.8 |
| Weight Uom | 152 lbs. per 100 |

Documents / Support Tools

| | |
|--------------------------------|----------------------|
| Technical Drawing / Data Sheet | TDS000122 |
| Catalog US | Available on Website |

Header

| | |
|----------|----------------------|
| 3D Model | Available on Website |
|----------|----------------------|

For further technical assistance, please contact us...

ABB Installation Products - USA
 860 Ridge Lake Blvd.
 Memphis, TN 38120

ABB Installation Products Technical Support
 MS 3B-50
 860 Ridge Lake Blvd.

Hours: 7AM - 6PM CDT
 Monday-Friday
 Phone: (888) 862-3289

