

# 5000 series

## Toggle switches

*Distinctive features*

### THE WIDEST RANGE IN MINIATURE SWITCHES



- 17 actuators including toggles, paddle levers and locking levers in different lengths.
- 5 contact materials from dry circuit to 6A 125VAC and high inrush up to 120A 2 ms.
- 8 functions including maintained and momentary versions.
- 1 to 4 pole configurations.
- 12 terminal types including 9 for PC board mounting. Other types include quick-connect and wire-wrap.
- 6 bushing styles from 6 (.236) plain to 11,9 (15/32) threaded.
- 3 types of finish including military black.
- 4 approvals (UL - CSA - VDE - CECC) and 3 listings.
- 4 types of sealing for terminal or front panel requirements.
- Numerous accessories available for actuator and bushing options.

# 5000 series

## Toggle switches

### Specifications

#### ELECTRICAL SPECIFICATIONS

- Current/voltage rating with resistive load :

Contact	Maximum	Minimum	Level*
Silver (A)	3A 250VAC - 6A 125VAC - 4A 30VDC	50mA 10VDC	III and IV
Silver, gold plated (AD)	3A 250VAC - 6A 125 VAC - 4A 30VDC Gold plating withstands up to 100mA 30VDC	10mA 50mV 10µA 5V	I to IV
Brass, gold plated (CD)	0,4 VA at 20VAC or DC	10mA 50mV 10µA 5V	I and II

- For inductive, lamp or capacitive load, consult factory. \* For details, see Technical Information, end of catalogue.
- Initial contact resistance : 10 mΩ max.
- Insulation resistance : 1.000 MΩ min. at 500VDC
- Dielectric strength :
  - 1.000 Vrms 50 Hz min. between terminals
  - 1.500 Vrms 50 Hz min. between poles
  - 1.500 Vrms 50 Hz min. between terminals and frame
- Contact bounce : 2 ms max.
- Electrical life at full load :
  - 50.000 cycles for single and double pole
  - 40.000 cycles for 3 pole
  - 30.000 cycles for 4 pole
- Low level or mechanical life : 100.000 cycles

#### MATERIALS

- Case : diallylphthalate (DAP) or high temperature plastic material (UL94-V0)
- Actuator : brass, chrome plated
- Bushing : brass, nickel plated
- Housing : stainless steel or steel tin plated
- Contacts
  - A : silver
  - AD : silver, gold plated
  - CD : brass, gold plated
  - X814 : for peak currents, see "Special options".
- Terminal seal : epoxy
- Paddles : UL94HB polyamide
- Lever caps : vinyl

#### GENERAL SPECIFICATIONS

- Torque : 1,25 Nm (.922 Ft.lb) max. applied to nut
- Panel thickness : 2,5 mm (.098) with 2 nuts - 4 mm (.157) with 1 nut
- Operating temperature : -40°C to +85°C

#### AGENCY APPROVALS/PREFERENTIAL LISTS



EN 61058-1



CECC 96201-007

For VDE, refer to 55000 series.

**QPL** (Europe only)  
**MUAHAG**  
**NATO**

**Availability** : consult factory for details of approved models.

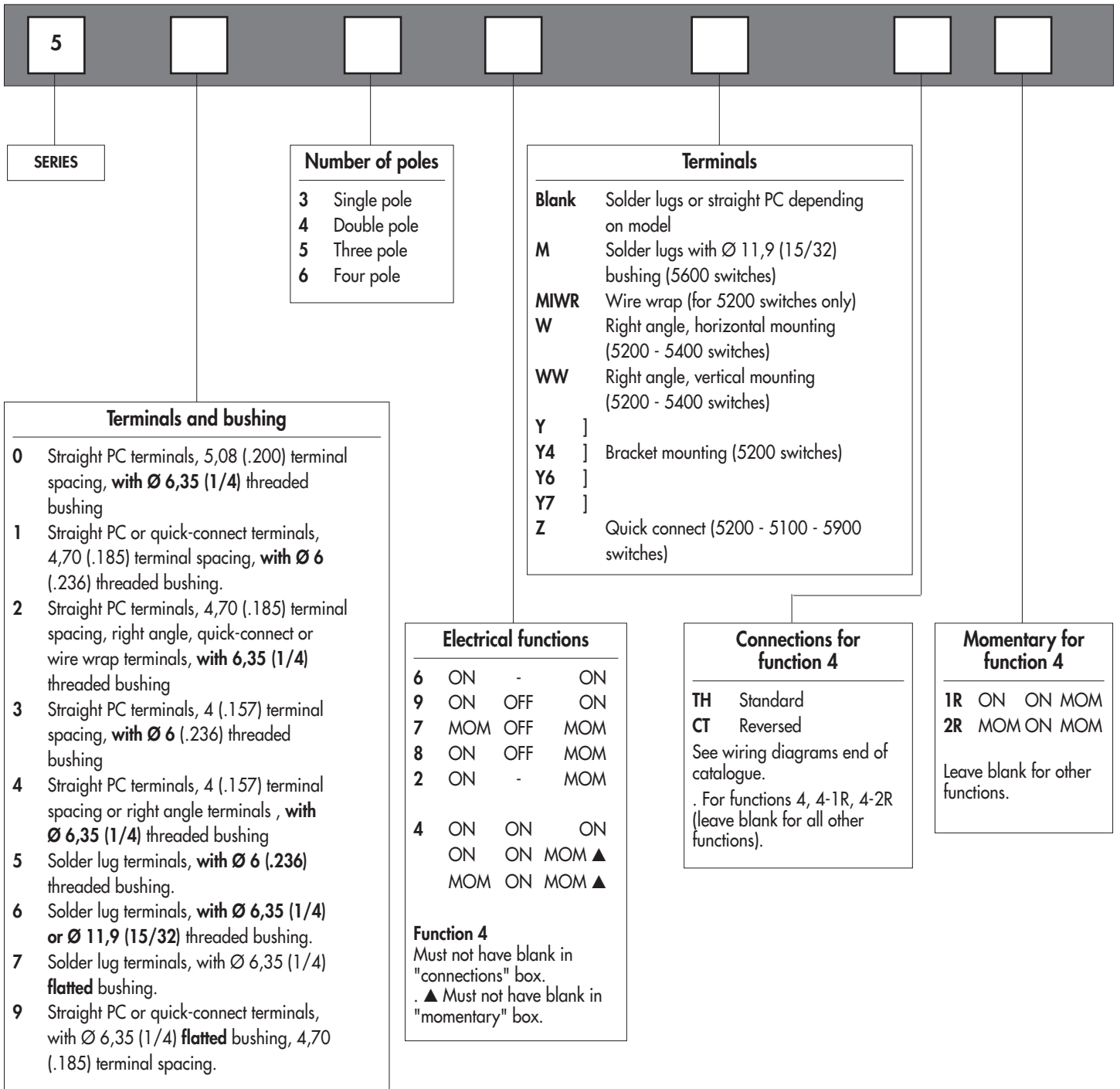
**Marking** : to order switches marked UL, CSA or CECC, complete appropriate box of ordering format.  
Preferential lists do not appear on the switches.

# 5000 series

## Toggle switches

Overview

MODEL  
STRUCTURE



### ABOUT THIS SERIES

- On the following pages, you will find successively :
- model structure of switches with threaded bushing
  - model structure of switches with plain bushing
  - options in the same order as in above chart

**Dimensions** : first dimensions are in mm while inches are shown as bracketted numbers.



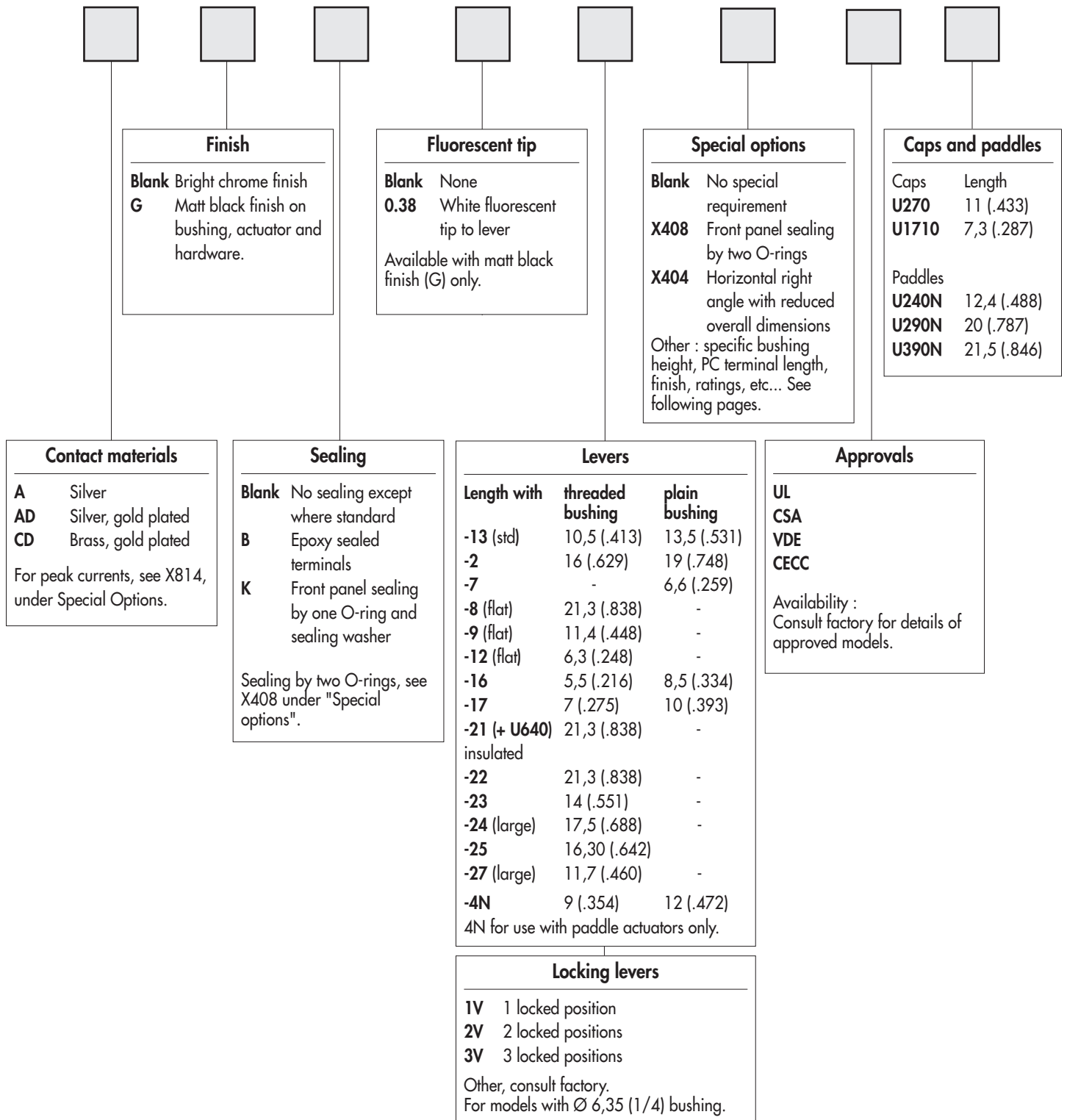
**NOTICE** : please note that not all combinations of above numbers are available. Refer to the following pages for further information.



# 5000 series

## Toggle switches

Overview



**Sealing boots** are available. They are presented in section H.



**Mounting accessories** : standard hardware supplied with all models with Ø 6,35 (1/4) or Ø 6 (.236) threaded bushing : 2 hex nuts 8 mm (.314) across flats, 1 locking ring and 1 lockwasher. Standard and special hardware available are presented in section I.



**Packaging unit** : 25 pieces or 50 pieces depending on models.

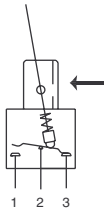
# 5000 series

Toggle switches - solder lug terminals

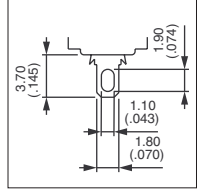
Threaded bushing  $\varnothing 6,35 (1/4) : 5600$

MODEL  
STRUCTURE

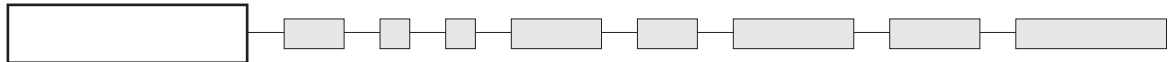
→ Keyway



- 1, 2, 3 and 4 pole configurations



MODEL  
STRUCTURE



Shown with standard lever (-13)

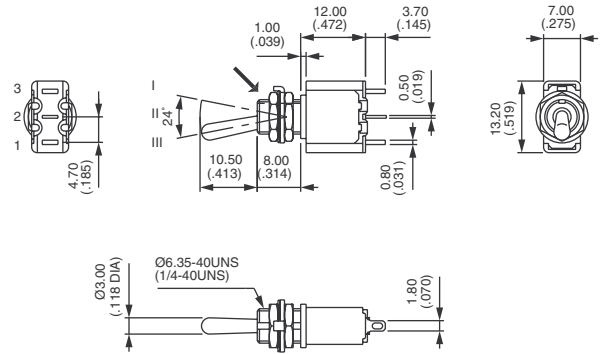
## Single pole



5636  
5639  
5637  
5638  
5632

III	II	I
2-3		1-2
ON	-	ON
ON	OFF	ON
MOM	OFF	MOM
ON	OFF	MOM
ON	-	MOM

→ Keyway



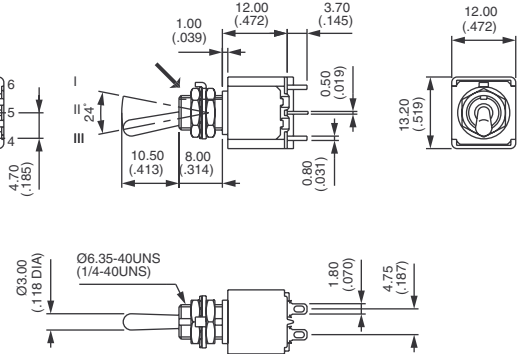
## Double pole



5646  
5649  
5647  
5648  
5642  
5644\*  
5644 1R\*  
5644 2R\*

III	II	I
2-3		1-2
5-6		4-5
ON	-	ON
ON	OFF	ON
MOM	OFF	MOM
ON	OFF	MOM
ON	-	MOM
ON	ON	ON
ON	ON	MOM
MOM	ON	MOM

→ Keyway



\* Function 4 : SP in DP case - specify CT or TH connections, see end of catalogue.

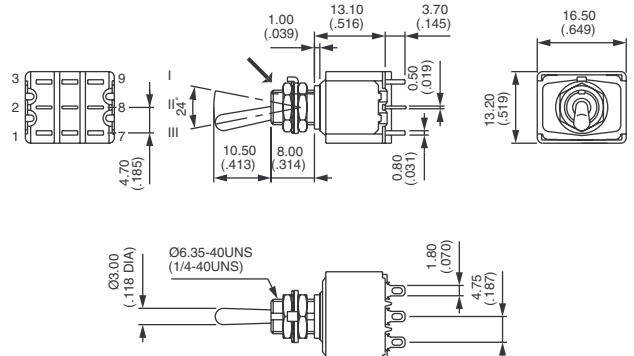
## Three pole



5656  
5659  
5657  
5658  
5652

III	II	I
2-3		1-2
5-6		4-5
8-9		7-8
ON	-	ON
ON	OFF	ON
MOM	OFF	MOM
ON	OFF	MOM
ON	-	MOM

→ Keyway





# 5000 series

Toggle switches - solder lug terminals

Threaded bushing  $\varnothing 6,35 (1/4) : 5600$

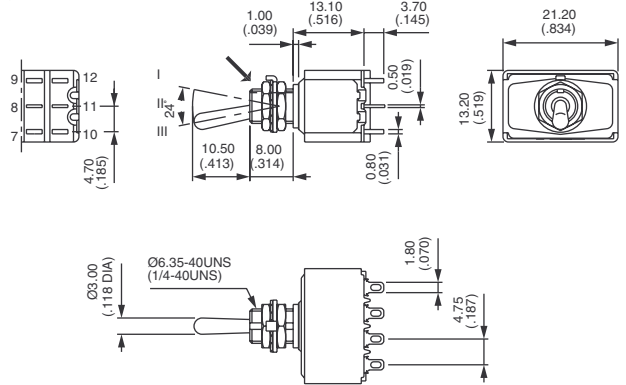
## Four pole



5666  
5669  
5667  
5668  
5662  
5664\*  
5664 1R\*  
5664 2R\*

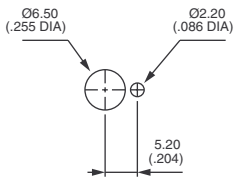
III	II	I
2-3		1-2
5-6		4-5
8-9		7-8
11-12		10-11
ON	-	ON
ON	OFF	ON
MOM	OFF	MOM
ON	OFF	MOM
ON	-	MOM
ON	ON	ON
ON	ON	MOM
MOM	ON	MOM

→ Keyway

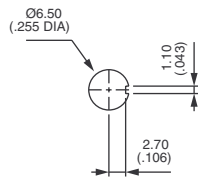


\*Function 4 : DP in 4P case - specify CT or TH connections, see end of catalogue.

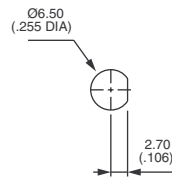
## PANEL CUT-OUT



Standard



With K  
sealing option



With X408  
sealing option

# 5000 series

Toggle switches - solder lug terminals

MODEL  
STRUCTURE

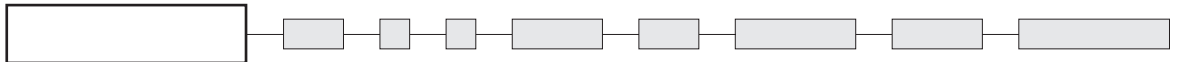
A

Diagram as per 5600 model

## 5700 models

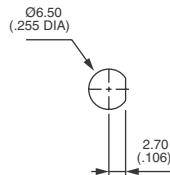
- Flatted bushing  $\varnothing$  6,35 mm (1/4)
- 1, 2, 3 and 4 pole configurations

MODEL  
STRUCTURE



For model structure numbers, refer to 5600 models and replace 6 with 7.

### PANEL CUT-OUT



Standard or  
with K sealing option

## 5500 models

- Threaded bushing  $\varnothing$  6 mm x 0.75 SI (.236 x 0.75 IS)
- 1, 2, 3 and 4 pole configurations

MODEL  
STRUCTURE

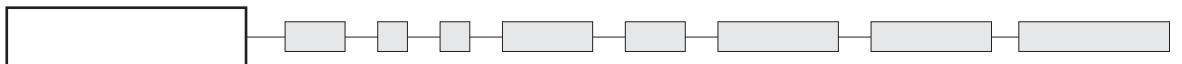
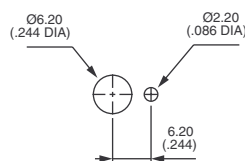


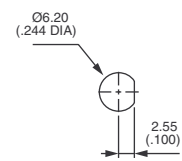
Diagram as per 5600 model

For model structure numbers, refer to 5600 models and replace 6 with 5.

### PANEL CUT-OUT



Standard



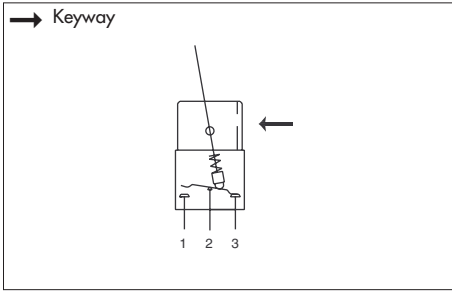
With X408 sealing option



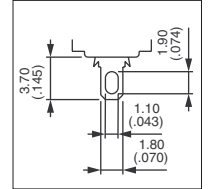
# 5000 series

Toggle switches - solder lug terminals

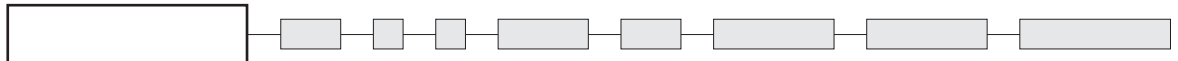
Threaded bushing  $\varnothing 11,9$  (15/32) : 5600M



- 1, 2, 3 and 4 pole configurations
- Supplied with 2 hex nuts and 1 locking ring
- Panel thickness up to 6 mm (.236)



MODEL  
STRUCTURE



Shown with standard lever (-24)

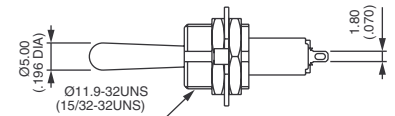
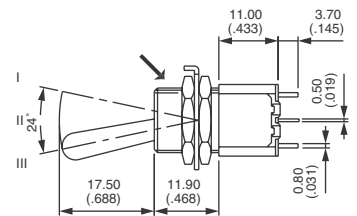
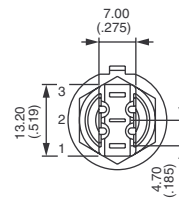
## Single pole



5636M  
5639M  
5637M  
5638M  
5632M

III	II	I
2-3		1-2
ON	-	ON
ON	OFF	ON
MOM	OFF	MOM
ON	OFF	MOM
ON	-	MOM

→ Keyway



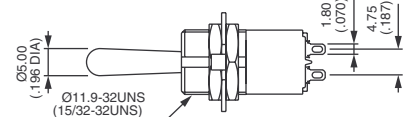
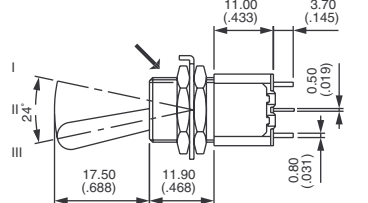
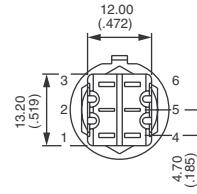
## Double pole



5646M  
5649M  
5647M  
5648M  
5642M  
5644M\*  
5644M 1R\*  
5644M 2R\*

III	II	I
2-3		1-2
5-6		4-5
ON	-	ON
ON	OFF	ON
MOM	OFF	MOM
ON	OFF	MOM
ON	-	MOM
ON	ON	ON
ON	ON	MOM
MOM	ON	MOM

→ Keyway



\* Function 4 : SP in DP case - specify CT or TH connections, see end of catalogue.

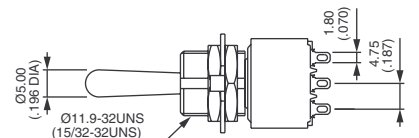
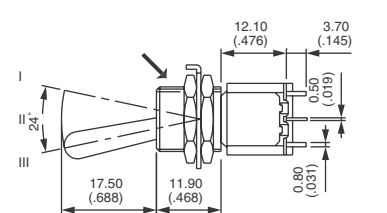
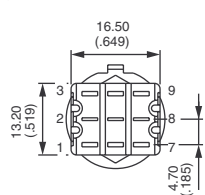
## Three pole



5656M  
5659M  
5657M  
5658M  
5652M

III	II	I
2-3		1-2
5-6		4-5
8-9		7-8
ON	-	ON
ON	OFF	ON
MOM	OFF	MOM
ON	OFF	MOM
ON	-	MOM

→ Keyway





# 5000 series

## Toggle switches - solder lug terminals

Threaded bushing  $\varnothing$  11,9 (15/32) : 5600M

MODEL  
STRUCTURE

### Four pole

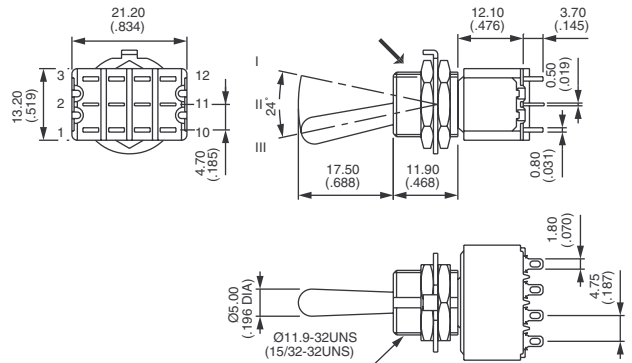


5666M  
5669M  
5667M  
5668M  
5662M  
5664M\*  
5664M 1R\*  
5664M 2R\*

III	II	I
2-3		1-2
5-6		4-5
8-9		7-8
11-12		10-11

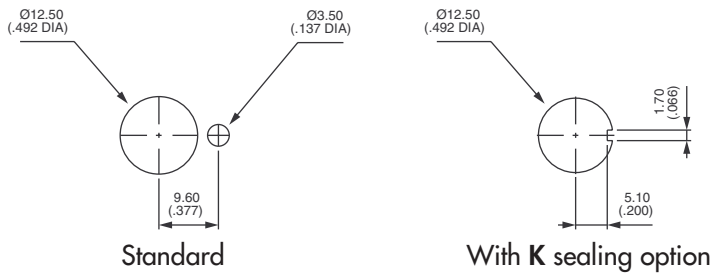
ON	-	ON
ON	OFF	ON
MOM	OFF	MOM
ON	OFF	MOM
ON	-	MOM
ON	ON	ON
ON	ON	MOM
MOM	ON	MOM

→ Keyway



\*Function 4 : DP in 4P case - specify CT or TH connections, see end of catalogue.

### PANEL CUT-OUT



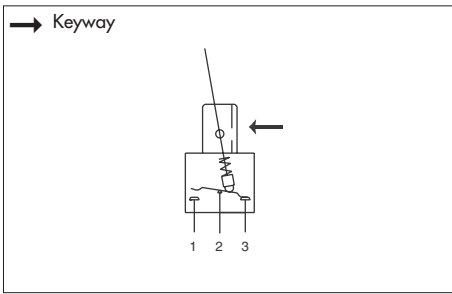
OTHER : M bushing can be combined with other types such as : 5200, Z, MIWR... Consult factory.



# 5000 series

## Toggle switches - straight PC terminals

Threaded bushing  $\varnothing 6,35$  (1/4) : 5200

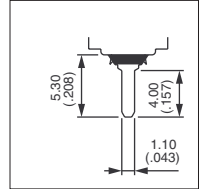


- Terminal spacing 4,7 mm (.185)
- 1, 2, 3 and 4 pole configurations
- Epoxy sealed terminals standard

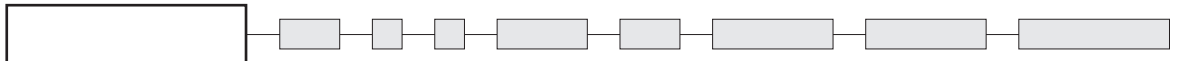
For new projects, we recommend switches with support bracket (option Y) which holds the switch securely on the PCB.

Other terminal lengths presented under "Special options".

Also available with plain bushing, see "Special options" X371



### MODEL STRUCTURE



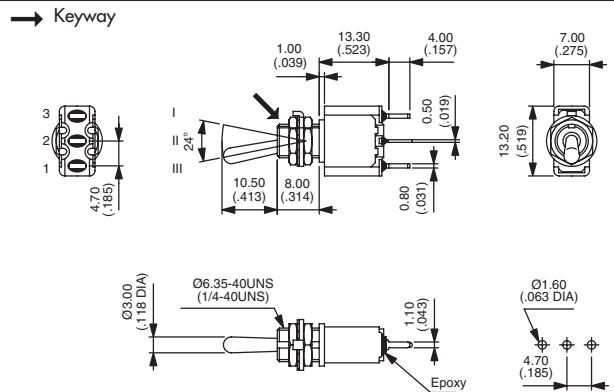
Shown with standard lever (-13)

### Single pole



5236 B  
5239 B  
5237 B  
5238 B  
5232 B

III	II	I
2-3		1-2
ON	-	ON
ON	OFF	ON
MOM	OFF	MOM
ON	OFF	MOM
ON	-	MOM

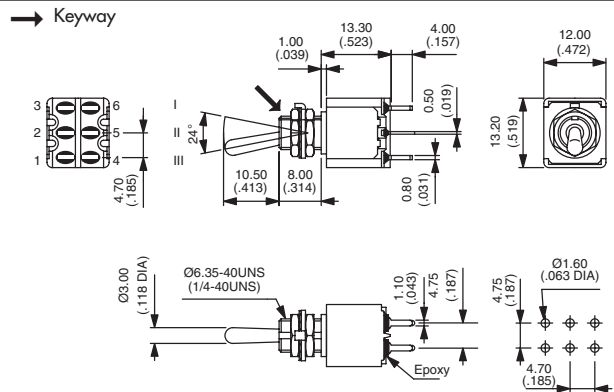


### Double pole



5246 B  
5249 B  
5247 B  
5248 B  
5242 B  
5244 B\*  
5244 1R B\*  
5244 2R B\*

III	II	I
2-3 5-6		1-2 4-5
ON	-	ON
ON	OFF	ON
MOM	OFF	MOM
ON	OFF	MOM
ON	-	MOM
ON	ON	ON
ON	ON	MOM
MOM	ON	MOM



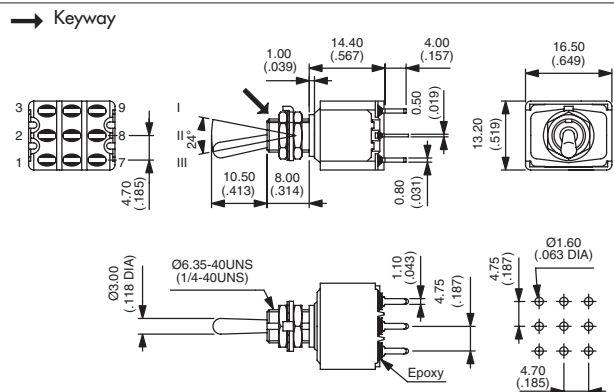
\*Function 4 : SP in DP case - specify CT or TH connections, see end of catalogue.

### Three pole



5256 B  
5259 B  
5257 B  
5258 B  
5252 B

III	II	I
2-3 5-6 8-9		1-2 4-5 7-8
ON	-	ON
ON	OFF	ON
MOM	OFF	MOM
ON	OFF	MOM
ON	-	MOM



# 5000 series

Toggle switches - straight PC terminals

Threaded bushing  $\varnothing 6,35 (1/4)$  : 5200 - 5000

MODEL  
STRUCTURE

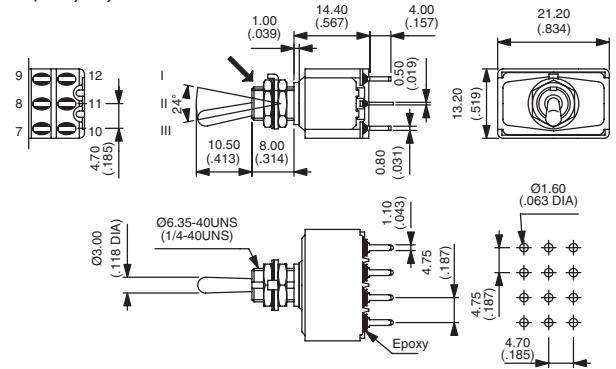
## Four pole



5266 B  
5269 B  
5267 B  
5268 B  
5262 B  
5264 B\*  
5264 1R B\*  
5264 2R B\*

III	II	I
2-3		1-2
5-6		4-5
8-9		7-8
11-12		10-11
ON	-	ON
ON	OFF	ON
MOM	OFF	MOM
ON	OFF	MOM
ON	-	MOM
ON	ON	ON
ON	ON	MOM
MOM	ON	MOM

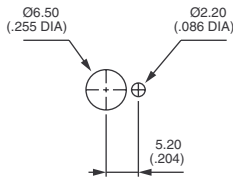
→ Keyway



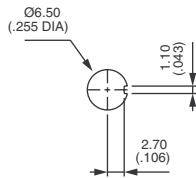
\*Function 4 : DP in 4P case - specify CT or TH connections, see end of catalogue.

## PANEL CUT-OUT

5200 - 5000 - 5400



Standard

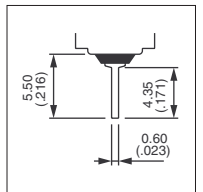


With K sealing option

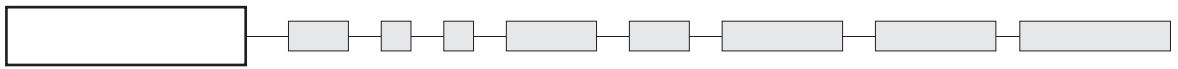
## 5000 models

- Terminal spacing 5,08 mm (.200)
- Epoxy sealed terminals standard
- 1 and 2 pole configurations

Diagram as per 5200 model



MODEL  
STRUCTURE



Shown with standard lever (-13)

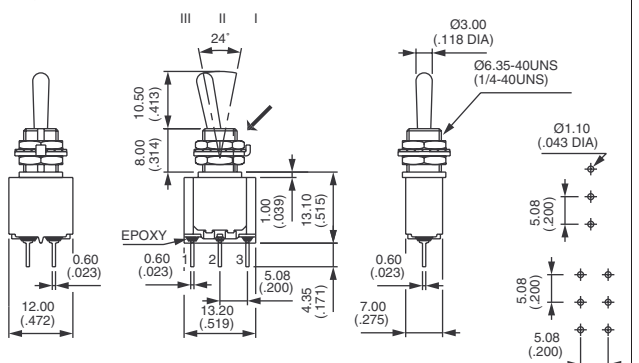
## Terminal spacing 5,08 (.200) - single and double pole

→ Keyway



Single pole	Double pole
5036	5046
5039	5049
5037	5047
5038	5048
5032	5042
	5044*
	5044 1R*
	5044 2R*

III	II	I
2-3		1-2
5-6		4-5
ON	-	ON
ON	OFF	ON
MOM	OFF	MOM
ON	OFF	MOM
ON	-	MOM
ON	ON	ON
ON	ON	MOM
MOM	ON	MOM



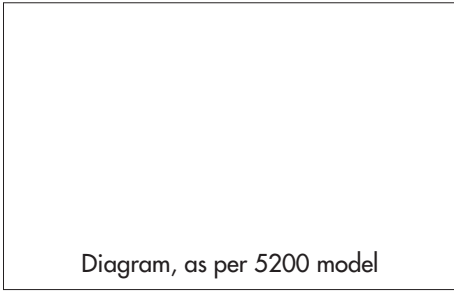
\*Function 4 : SP in DP case - specify CT or TH connections, see end of catalogue.



# 5000 series

Toggle switches - straight PC terminals

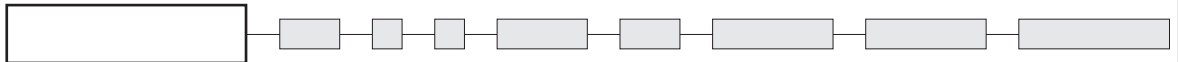
A



## 5400 models

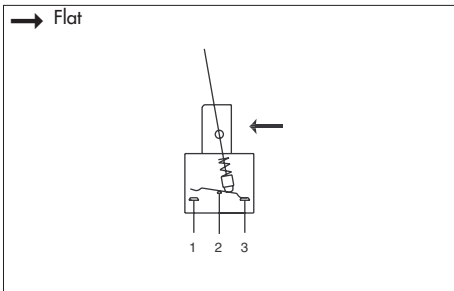
- Threaded bushing  $\varnothing$  6,35 mm (1/4)
- Terminal spacing 4 mm (.157)
- 1, 2, 3 and 4 pole configurations

MODEL  
STRUCTURE



For model structure numbers, refer to 5200 models and replace 2 with 4.

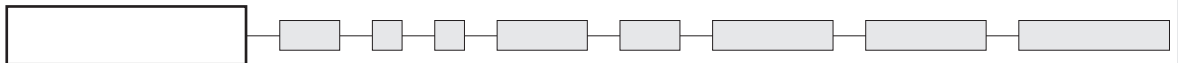
Panel cut-out, see 5200.



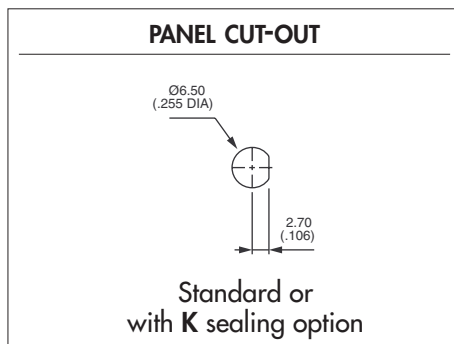
## 5900 models

- Flatted bushing  $\varnothing$  6,35 mm (1/4)
- Terminal spacing 4,7 mm (.185)
- 1, 2, 3 and 4 pole configurations

MODEL  
STRUCTURE



For model structure numbers, refer to 5200 models and replace 2 with 9.

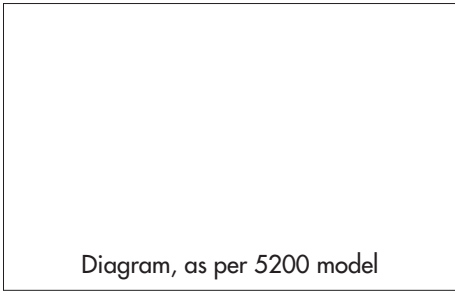


# 5000 series

Toggle switches - straight PC terminals



A

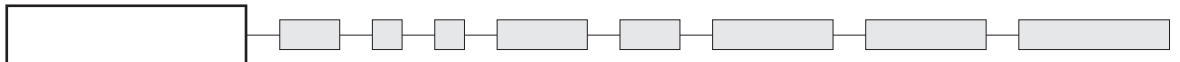


Diagram, as per 5200 model

## 5100 models

- Threaded bushing  $\varnothing 6 \text{ mm} \times 0.75 \text{ SI}$  (.236 x 0.75 IS)
- Terminal spacing 4,7 mm (.185)
- 1, 2, 3 and 4 pole configurations

MODEL  
STRUCTURE

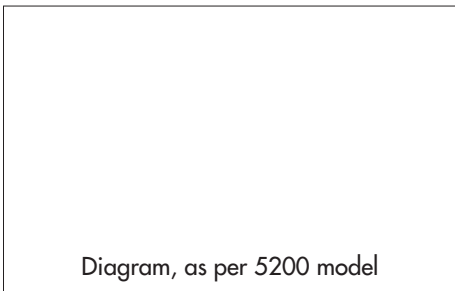


For model structure numbers, refer to 5200 models and replace 2 with 1.

Panel cut-out, see below.

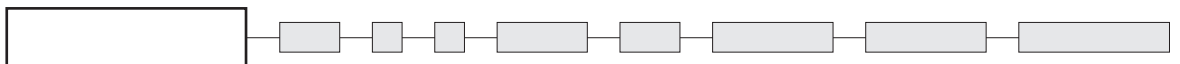
## 5300 models

- Threaded bushing  $\varnothing 6 \text{ mm} \times 0.75 \text{ SI}$  (.236 x 0.75 IS)
- Terminal spacing 4 mm (.157)
- 1, 2, 3 and 4 pole configurations

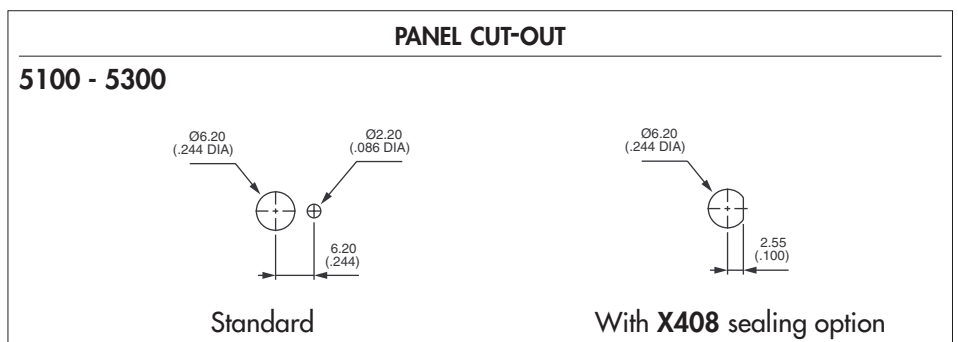


Diagram, as per 5200 model

MODEL  
STRUCTURE



For model structure numbers, refer to 5200 models and replace 2 with 3.

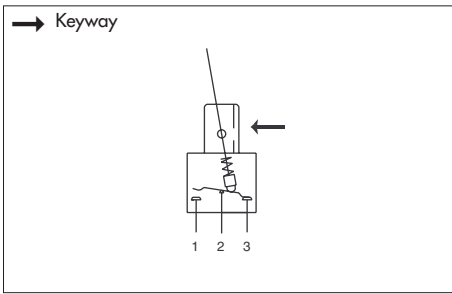




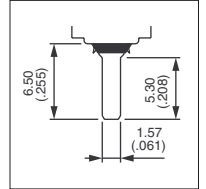
# 5000 series

## Toggle switches - quick-connect terminals

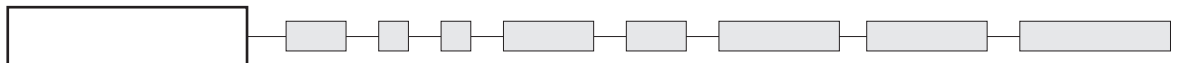
Threaded bushing  $\varnothing 6,35 (1/4)$  : 5200Z



- Terminal spacing 4,7 mm (.185)
- Epoxy sealed terminals standard
- 1 and 2 pole configurations



MODEL STRUCTURE



Shown with standard lever (-13)

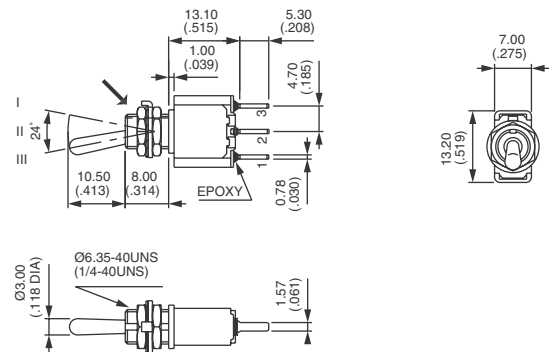
### Single pole



5236Z  
5239Z  
5237Z  
5238Z  
5232Z

III	II	I
2-3		1-2
ON	-	ON
ON	OFF	ON
MOM	OFF	MOM
ON	OFF	MOM
ON	-	MOM

→ Keyway



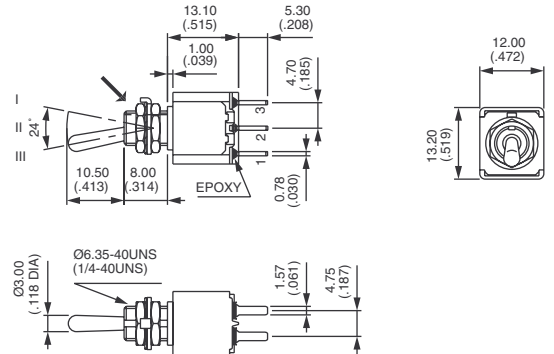
### Double pole



5246Z  
5249Z  
5247Z  
5248Z  
5242Z  
5244Z\*  
5244Z 1R\*  
5244Z 2R\*

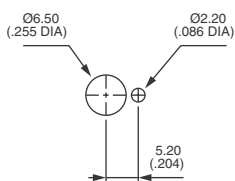
III	II	I
2-3		1-2
5-6		4-5
ON	-	ON
ON	OFF	ON
MOM	OFF	MOM
ON	OFF	MOM
ON	-	MOM
ON	ON	ON
ON	ON	MOM
MOM	ON	MOM

→ Keyway

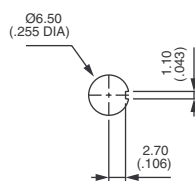


\*Function 4 : SP in DP case - specify CT or TH connections, see end of catalogue.

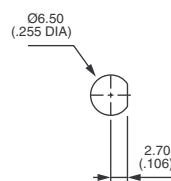
### PANEL CUT-OUT



Standard



With K  
sealing option



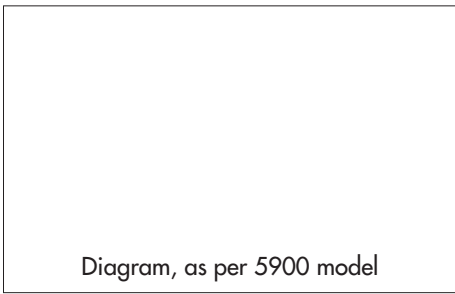
With X408  
sealing option

# 5000 series

Toggle switches - quick-connect terminals



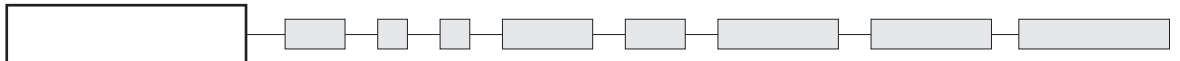
A



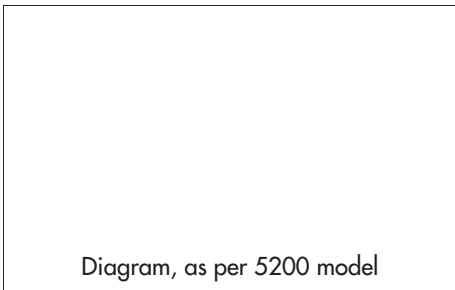
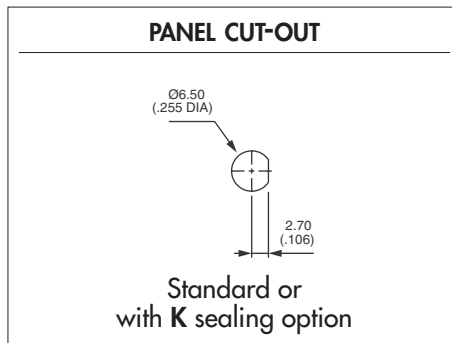
## 5900Z models

- Flatted bushing  $\varnothing$  6,35 mm (1/4)
- Terminal spacing 4,7 mm (.185)
- Epoxy sealed terminals standard
- 1 and 2 pole configurations

### MODEL STRUCTURE



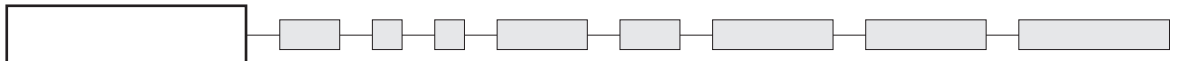
For model structure numbers, refer to 5200Z models and replace 2 with 9.



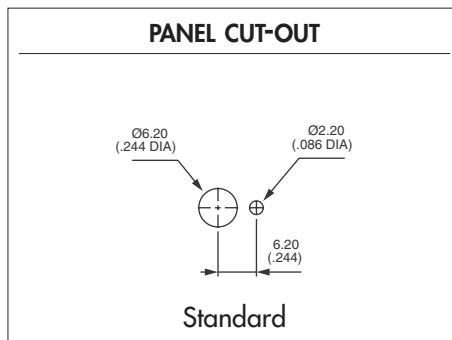
## 5100Z models

- Threaded bushing  $\varnothing$  6 mm x 0.75 SI (.236 x 0.75 IS)
- Terminal spacing 4,7 mm (.185)
- Epoxy sealed terminals standard
- 1 and 2 pole configurations

### MODEL STRUCTURE



For model structure numbers, refer to 5200Z models and replace 2 with 1.

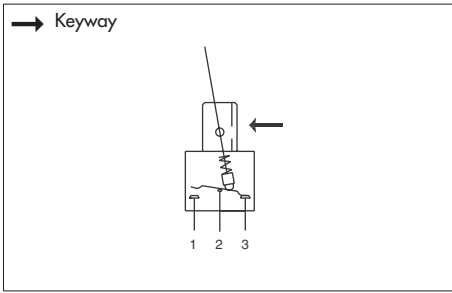




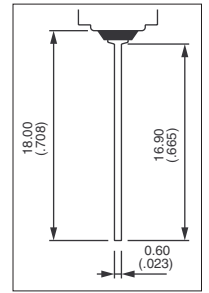
# 5000 series

## Toggle switches - wire-wrap terminals

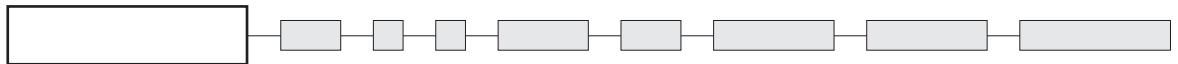
Threaded bushing  $\varnothing 6,35$  (1/4) : 5200MIWR



- Terminal spacing 5,08 mm (.200)
- Epoxy sealed terminals standard
- 1 and 2 pole configurations
- Can also be used as extended PCB terminals



MODEL STRUCTURE



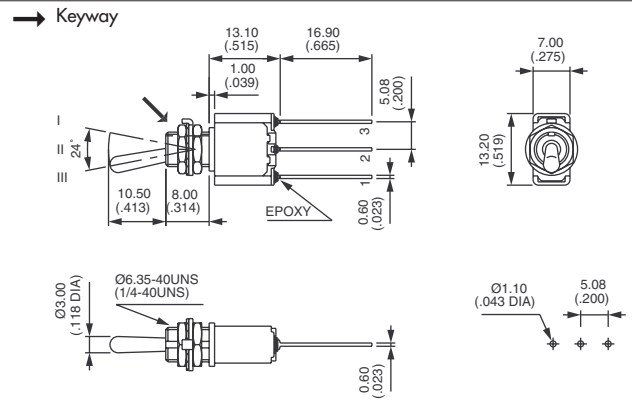
Shown with standard lever (-13)

### Terminal spacing 5,08 (.200) - single pole



5236MIWR  
5239MIWR  
5237MIWR  
5238MIWR  
5232MIWR

III	II	I
2-3		1-2
ON	-	ON
ON	OFF	ON
MOM	OFF	MOM
ON	OFF	MOM
ON	-	MOM

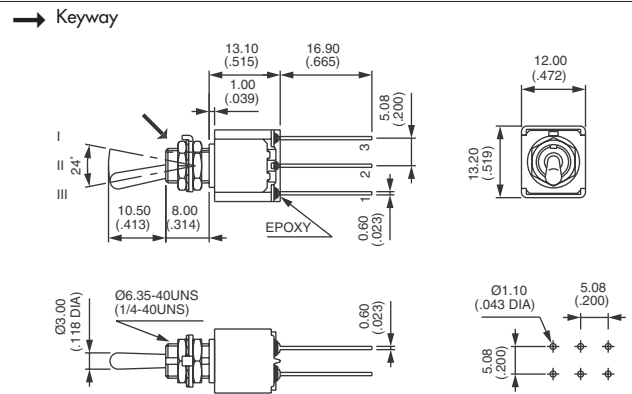


### Terminal spacing 5,08 (.200) - double pole



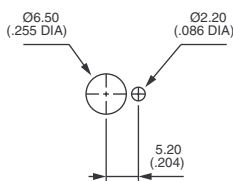
5246MIWR  
5249MIWR  
5247MIWR  
5248MIWR  
5242MIWR  
5244 1R MIWR\*  
5244 1R MIWR\*  
5244 2R MIWR\*

III	II	I
2-3		1-2
5-6		4-5
ON	-	ON
ON	OFF	ON
MOM	OFF	MOM
ON	OFF	MOM
ON	-	MOM
ON	ON	ON
ON	ON	MOM
MOM	ON	MOM

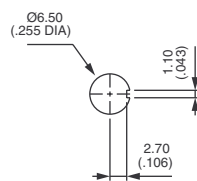


\*Function 4 : SP in DP case - specify CT or TH connections, see end of catalogue.

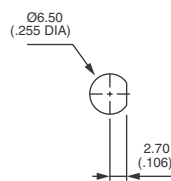
### PANEL CUT-OUT



Standard



With K sealing option



With X408 sealing option



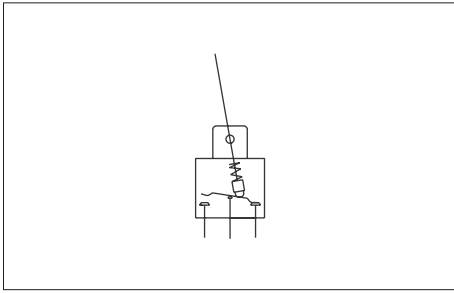
# 5000 series

## Toggle switches - plain bushing

Right angle terminals - horizontal : 5200W



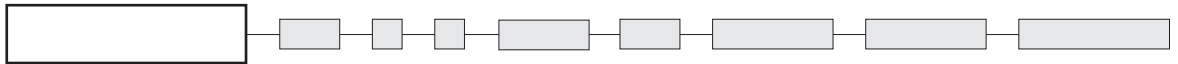
A



- Terminal spacing 4,7 mm (.185)
- 1, 2 and 3 pole configurations

Special switch **5200WX404** with reduced overall dimensions is presented under "Special options".

MODEL STRUCTURE



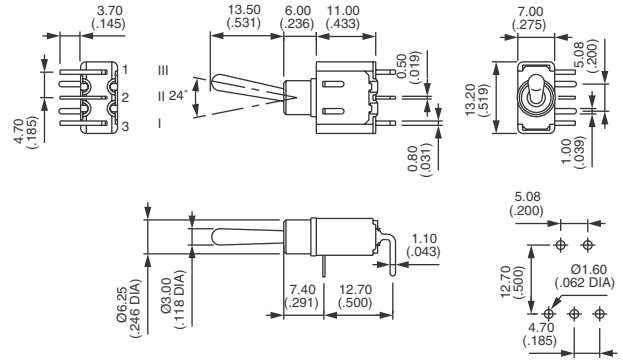
Shown with standard lever (-13)

### Single pole



5236W  
5239W  
5237W  
5238W  
5232W

III	II	I
2-3		1-2
ON	-	ON
ON	OFF	ON
MOM	OFF	MOM
ON	OFF	MOM
ON	-	MOM

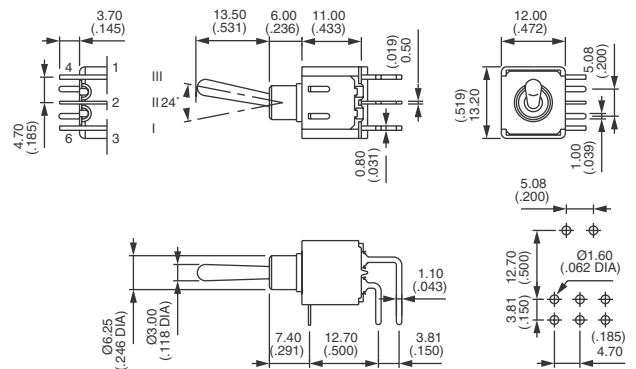


### Double pole



5246W  
5249W  
5247W  
5248W  
5242W  
5244W\*  
5244W 1R\*  
5244W 2R\*

III	II	I
2-3		1-2
5-6		4-5
ON	-	ON
ON	OFF	ON
MOM	OFF	MOM
ON	OFF	MOM
ON	-	MOM
ON	ON	ON
ON	ON	MOM
MOM	ON	MOM



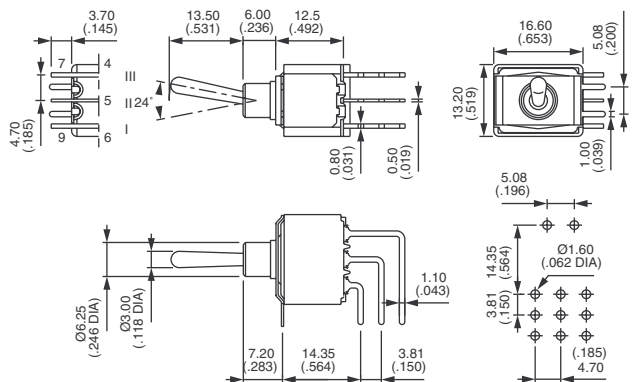
\*Function 4 : SP in DP case - specify CT or TH connections, see end of catalogue.

### Three pole



5256W  
5259W  
5257W  
5258W  
5252W

III	II	I
2-3		1-2
5-6		4-5
8-9		7-8
ON	-	ON
ON	OFF	ON
MOM	OFF	MOM
ON	OFF	MOM
ON	-	MOM

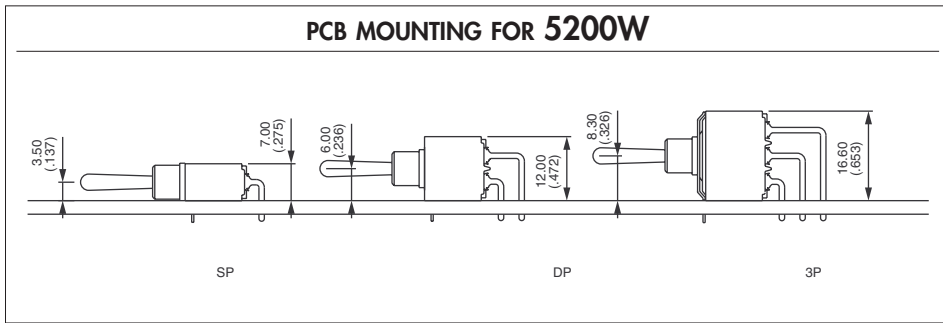




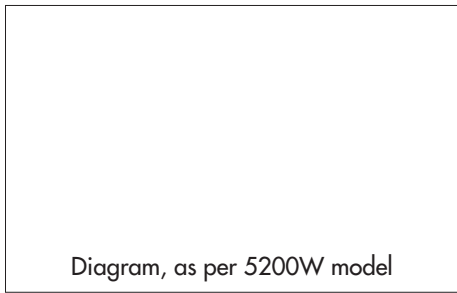
# 5000 series

Toggle switches - plain bushing

Right angle terminals - horizontal : 5400W



A



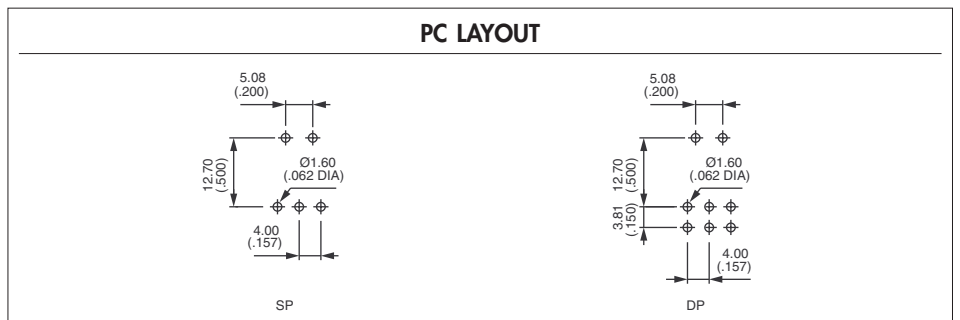
## 5400W models

- Terminal spacing 4 mm (.157)
- 1 and 2 pole configurations

### MODEL STRUCTURE



For model structure numbers, refer to 5200W single and double pole and replace 2 with 4.



# 5000 series

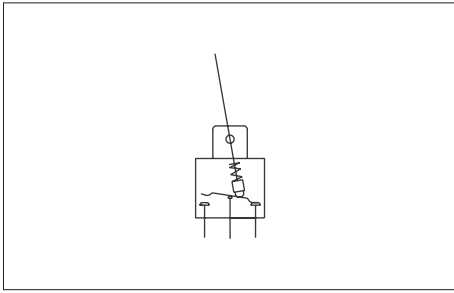
## Toggle switches - plain bushing

Right angle terminals - vertical : 5200WW

MODEL  
STRUCTURE

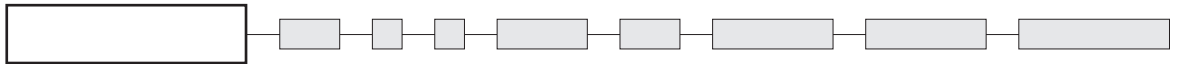


A



- Pin spacing 3,81 mm (.150)
- 1, 2, 3 and 4 pole configurations

MODEL  
STRUCTURE



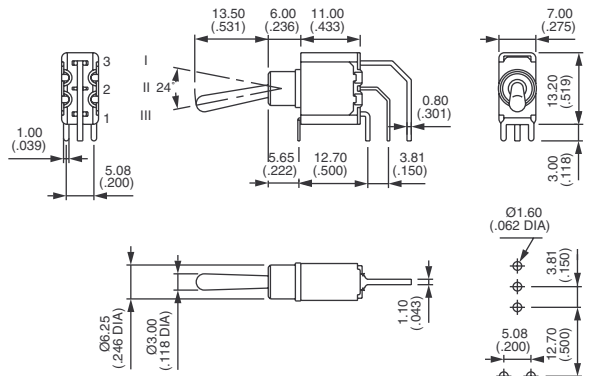
Shown with standard lever (-13)

### Single pole



5236WW  
5239WW  
5237WW  
5238WW\*\*  
5232WW\*\*

III	II	I
2-3		1-2
ON	-	ON
ON	OFF	ON
MOM	OFF	MOM
ON	OFF	MOM
ON	-	MOM

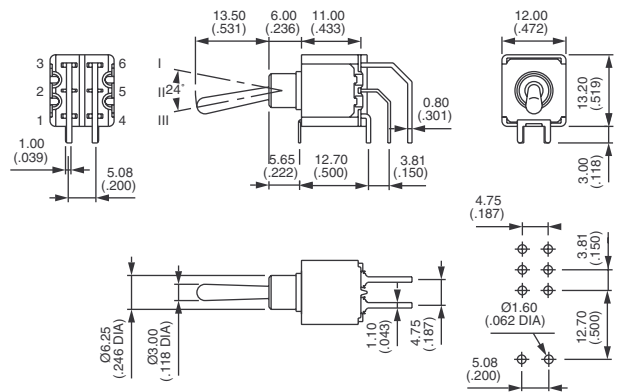


### Double pole



5246WW  
5249WW  
5247WW  
5248WW\*\*  
5242WW\*\*  
5244WW\*  
5244WW 1R\*  
5244WW 2R\*

III	II	I
2-3		1-2
5-6		4-5
ON	-	ON
ON	OFF	ON
MOM	OFF	MOM
ON	OFF	MOM
ON	-	MOM
ON	ON	ON
ON	ON	MOM
MOM	ON	MOM

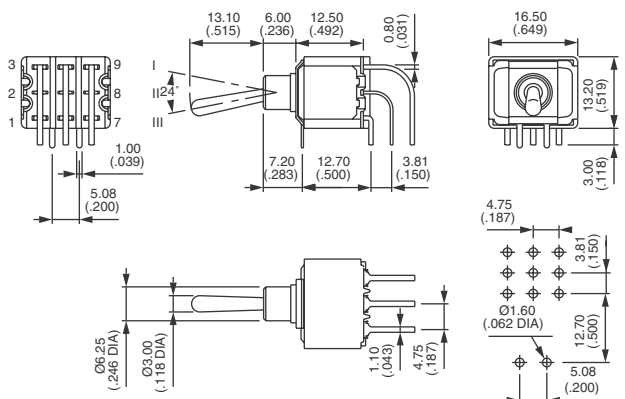


### Three pole



5256WW  
5259WW  
5257WW  
5258WW\*\*  
5252WW\*\*

III	II	I
2-3		1-2
5-6		4-5
8-9		7-8
ON	-	ON
ON	OFF	ON
MOM	OFF	MOM
ON	OFF	MOM
ON	-	MOM



\* and \*\* : see notes next page.



# 5000 series

## Toggle switches - plain bushing

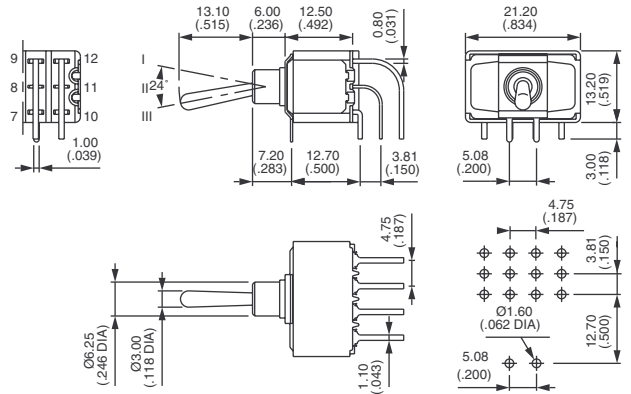
Right angle terminals - vertical : 5200WW - 5400WW

### Four pole



- 5266WW
- 5269WW
- 5267WW
- 5268WW\*\*
- 5262WW\*\*
- 5264WW\*
- 5264WW 1R\*
- 5264WW 2R\*

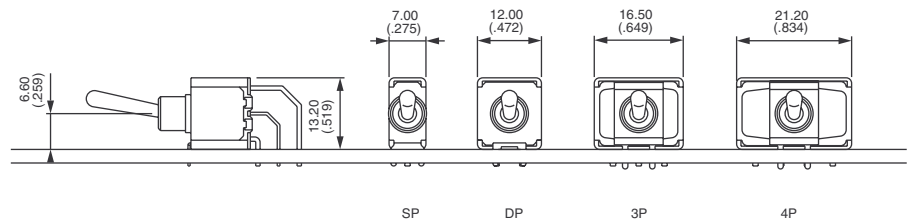
III	II	I
2-3		1-2
5-6		4-5
8-9		7-8
11-12		10-11
	ON	- ON
	ON	OFF ON
	MOM	OFF MOM
	ON	OFF MOM
	ON	- MOM
	ON	ON ON
	ON	ON MOM
	MOM	ON MOM



\* Function 4 : SP in DP case, DP in 4P case - specify CT or TH connections, see end of catalogue.

\*\* Functions 2 and 8 : reversed connection available, consult factory.

### PCB MOUNTING

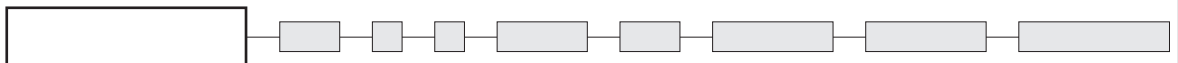


### 5400WW models

- Pin spacing 2,54 mm (.100)
- 1, 2, 3 and 4 pole configurations

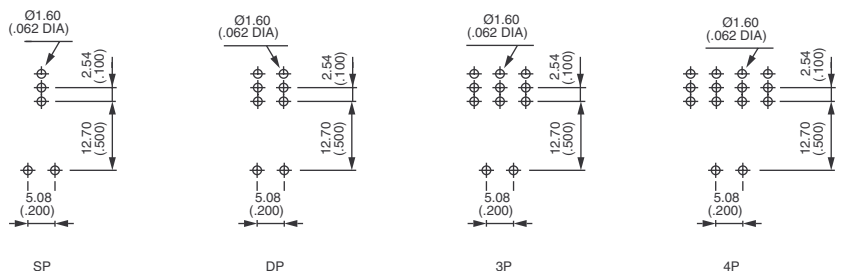
Diagram as per 5200WW model

### MODEL STRUCTURE



For model structure numbers, refer to 5200WW models and replace 2 with 4.

### PC LAYOUT



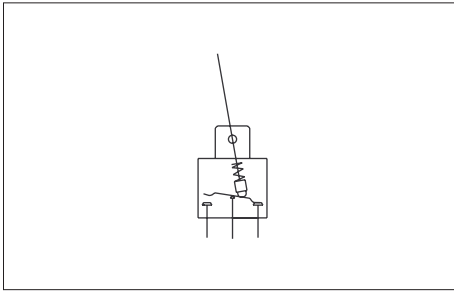
# 5000 series

## Toggle switches - plain bushing

Straight PC terminals - bracket mounting : 5200Y

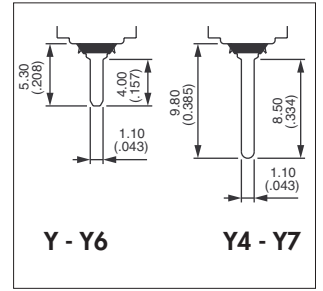
MODEL  
STRUCTURE

A

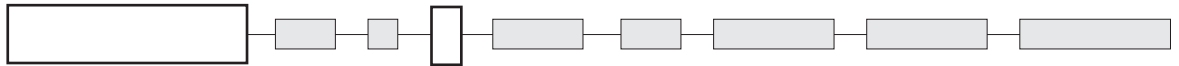


Brackets reduce mechanical stress on solder joints and increase resistance to vibrations.  
Bracket material : tin plated steel.

- Epoxy sealed terminals standard
- 1 and 2 pole configurations



MODEL  
STRUCTURE



Shown with standard lever (-13)

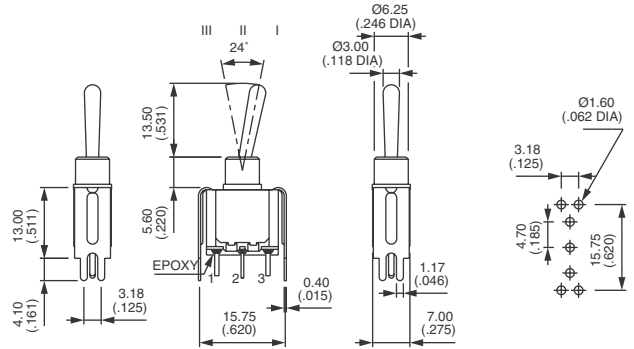
### Short bracket - width 15,75 (.620) - single pole : 5230Y



5236Y B  
5239Y B  
5237Y B  
5238Y B  
5232Y B

III	II	I
2-3		1-2

ON	-	ON
ON	OFF	ON
MOM	OFF	MOM
ON	OFF	MOM
ON	-	MOM



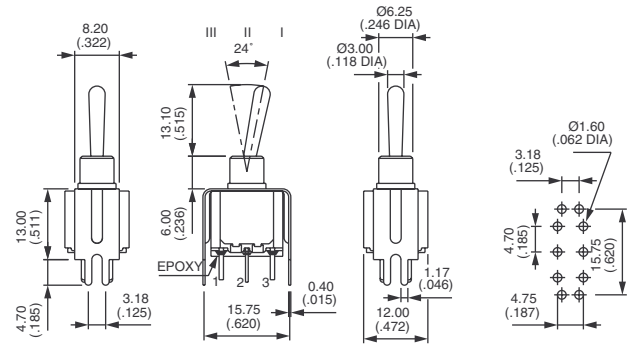
### Short bracket - width 15,75 (.620) - double pole : 5240Y



5246Y B  
5249Y B  
5247Y B  
5248Y B  
5242Y B  
5244Y B\*  
5244Y 1R B\*  
5244Y 2R B\*

III	II	I
2-3		1-2
5-6		4-5

ON	-	ON
ON	OFF	ON
MOM	OFF	MOM
ON	OFF	MOM
ON	-	MOM
ON	ON	ON
ON	ON	MOM
MOM	ON	MOM



\* Function 4 : SP in DP case - specify CT or TH connections, see end of catalogue.



# 5000 series

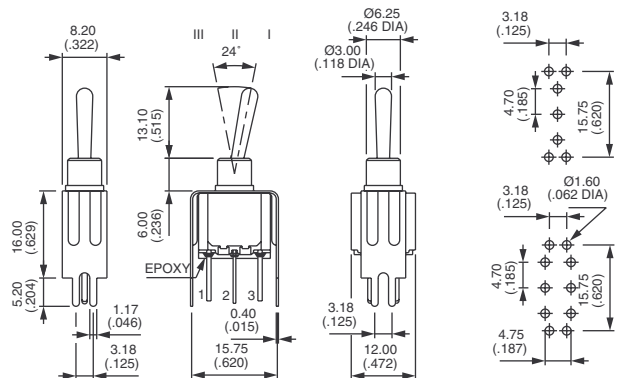
## Toggle switches - plain bushing

Straight PC terminals - bracket mounting : 5200Y4 - Y6 - Y7

### Tall bracket - width 15,75 (.620) : 5200Y4



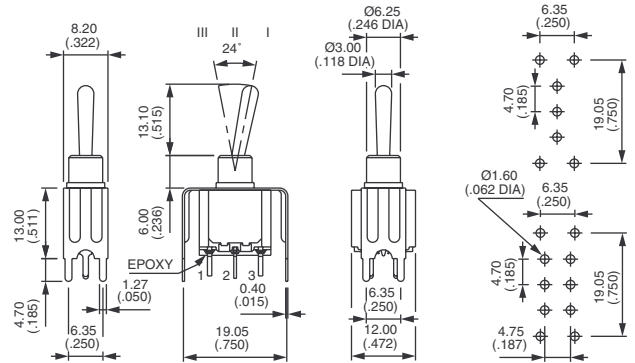
	Single pole	Double pole	III	II	I
5236Y4 B	5246Y4 B	ON	-	ON	
5239Y4 B	5249Y4 B	ON	OFF	ON	
5237Y4 B	5247Y4 B	MOM	OFF	MOM	
5238Y4 B	5248Y4 B	ON	OFF	MOM	
5232Y4 B	5242Y4 B	ON	-	MOM	
	5244Y4 B*	ON	ON	ON	
	5244Y4 1R B*	ON	ON	MOM	
	5244Y4 2R B*	MOM	ON	MOM	



### Short bracket - width 19,05 (.750) : 5200Y6



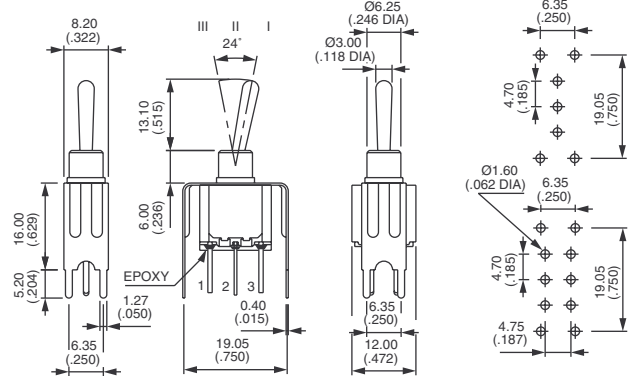
	Single pole	Double pole	III	II	I
5236Y6 B	5246Y6 B	ON	-	ON	
5239Y6 B	5249Y6 B	ON	OFF	ON	
5237Y6 B	5247Y6 B	MOM	OFF	MOM	
5238Y6 B	5248Y6 B	ON	OFF	MOM	
5232Y6 B	5242Y6 B	ON	-	MOM	
	5244Y6 B*	ON	ON	ON	
	5244Y6 1R B*	ON	ON	MOM	
	5244Y6 2R B*	MOM	ON	MOM	



### Tall bracket - width 19,05 (.750) : 5200Y7



	Single pole	Double pole	III	II	I
5236Y7 B	5246Y7 B	ON	-	ON	
5239Y7 B	5249Y7 B	ON	OFF	ON	
5237Y7 B	5247Y7 B	MOM	OFF	MOM	
5238Y7 B	5248Y7 B	ON	OFF	MOM	
5232Y7 B	5242Y7 B	ON	-	MOM	
	5244Y7 B*	ON	ON	ON	
	5244Y7 1R B*	ON	ON	MOM	
	5244Y7 2R B*	MOM	ON	MOM	



\* Function 4 : SP in DP case - specify CT or TH connections, see end of catalogue.