

PLEASE CHECK WWW.MOLEX.COM FOR LATEST PART INFORMATION

Part Number: [0521160342](#)
Status: **Active**
Overview: [Mizu-P25™ Miniature Waterproof Connectors](#)
Description: [Mizu-P25™ 2.50mm Pitch Waterproof Wire-to-Wire Plug Housing, 3 Circuits](#)

Documents:

3D Model	Application Specification AS-52117-001-JP-001 (PDF)
Drawing (PDF)	Packaging Specification 521160000-P00 (PDF)
Product Specification PS-52116-001-001 (PDF)	RoHS Certificate of Compliance (PDF)
Application Specification AS-52117-001-001 (PDF)	

Agency Certification

UL E29179

General

Product Family	Crimp Housings
Series	52116
Application	Signal, Wire-to-Wire
Application Tooling Part Link	62202-4400
Overview	Mizu-P25™ Miniature Waterproof Connectors
Product Name	Mizu-P25™ Waterproof, Splash Proof
UPC	800753356023

Physical

Circuits (maximum)	3
Color - Resin	Red
Gender	Plug
Glow-Wire Compliant	No
Lock to Mating Part	Yes
Material - Resin	Polyester
Net Weight	1565.500/mg
Number of Rows	1
Packaging Type	Tray
Panel Mount	No
Pitch - Mating Interface	2.50mm
Stackable	No
Temperature Range - Operating	-40°C to +105°C

Electrical

Current - Maximum per Contact 3.0A

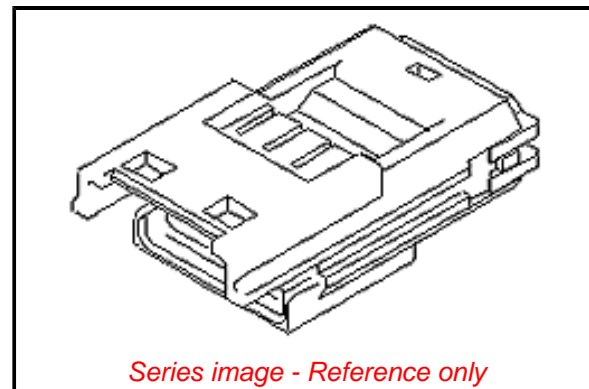
Solder Process Data

Lead-free Process Capability N/A

Material Info

Reference - Drawing Numbers

Application Specification	AS-52117-001-001, AS-52117-001-JP-001
Packaging Specification	521160000-P00
Product Specification	PS-52116-001-001
Sales Drawing	SD-52116-001



EU ELV

Compliant

EU RoHS

Compliant

REACH SVHC

Contained Per -
ED/30/2017 (7 July
2017)

N,N-
dimethylacetamide

Halogen-Free

Status

Not Low-Halogen

Need more information on product environmental compliance?

Email productcompliance@molex.com
Please visit the [Contact Us](#) section for any non-product compliance questions.

China ROHS

ELV

RoHS Phthalates

Green Image

Compliant

Not Contained

Search Parts in this Series

[52116 Series](#)

Mates With

[52117 Mizu-P25™ 2.50mm Pitch Waterproof Wire-to-Wire Receptacle Housing](#)

Use With

[50038 Mizu-P25™ Crimp Terminal](#)

Application Tooling | [FAQ](#)

Tooling specifications and manuals are found by selecting the products below. Crimp Height Specifications are then contained in the Application Tooling Specification document.

Global

Description	Product #
Sealing Cap Hand Tool	<u>0622024400</u>

This document was generated on 08/02/2017

PLEASE CHECK WWW.MOLEX.COM FOR LATEST PART INFORMATION